

## HEIGHT ADJUSTER



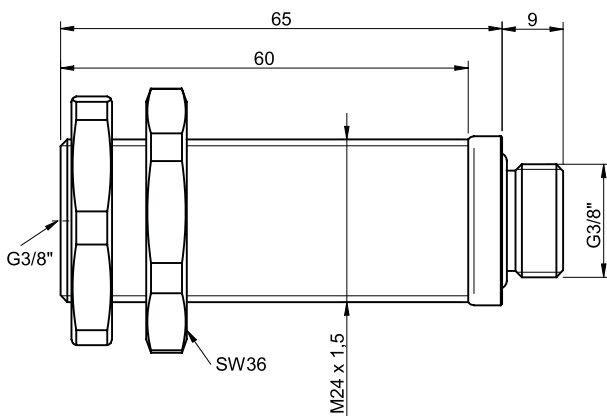
- ▶ Provides a height extension between the tooling and the suction cup.
- ▶ Adjustable in height.
- ▶ Can be used with Suction cup extension.

### TECHNICAL DATA

| Description                     | Unit            | Value       |
|---------------------------------|-----------------|-------------|
| Material                        |                 | Al, NBR, SS |
| Temperature range               | °C              | -30-70      |
| Weight                          | g               | 130         |
| Volume, internal                | cm <sup>3</sup> | 32          |
| Action range, adjustable length | mm              | 48          |

### ORDERING INFORMATION

| Description                               | Art. No. |
|-------------------------------------------|----------|
| Height adjuster G3/8" male x G3/8" female | 0121122  |



### ORDERING INFORMATION, ACCESSORIES

| Description                                | Art. No. |
|--------------------------------------------|----------|
| Adapter fitting G3/8" male x 3/8" NPT male | 0121240  |