

Pressure gauges and accessories for the air treatment



Pressure gauges with radial or rear connection, or for panel mounting.

Systems of rapid connections designed to make the mouting easier.

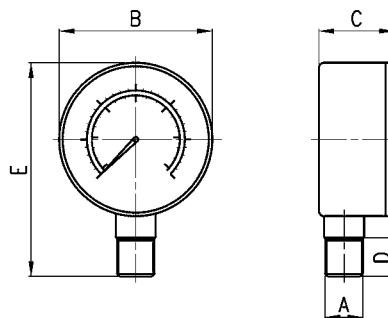


- » Pressure gauges with precision classes CL1,6 and CL2,5
- » Terminal flanges
- » Rapid clamps
- » Fixing kits
- » Wall fixing kits
- » Fixing brackets

To select the most suitable pressure gauge, the measurement range should be chosen considering the type of application according to the following criteria:

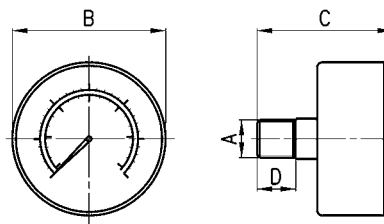
1. Constant pressure or pressure with slow fluctuations should be within 75% of the maximum scale value.
2. Pulsing pressure or rapid fluctuations should be within 65% of the maximum scale value.
3. Pressure peaks should never exceed the maximum scale value.

Pressure gauges with radial connection

 Precision class CL1,6 (mod. M063...)
 Precision class CL2,5 (mod. M043... and M053...)


DIMENSIONS						
Mod.	A	B	C	D	E	Range
M043-R06	R1/8	Ø 40,5	24,5	10	57	0-6 bar
M043-R12	R1/8	Ø 40,5	24,5	10	57	0-12 bar
M053-R12	R1/8	Ø 52,5	29	10	70	0-12 bar
M063-R12	R1/4	Ø 63	28	12	83	0-12 bar

Pressure gauges with rear connection

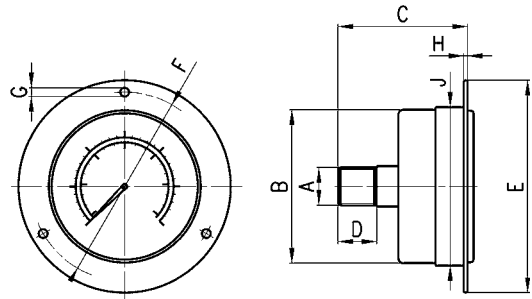
 Precision class CL1,6 (mod. M063...)
 Precision class CL2,5 (mod. M043... and M053...)


DIMENSIONS					
Mod.	A	B	C	D	Range
M043-P04	R1/8	Ø 40	39,5	10	0-4 bar
M043-P06	R1/8	Ø 40	39,5	10	0-6 bar
M043-P10	R1/8	Ø 40	39,5	10	0-10 bar
M043-P12	R1/8	Ø 40	39,5	10	0-12 bar
M053-P04	R1/8	Ø 53	45	10	0-4 bar
M053-P06	R1/8	Ø 53	45	10	0-6 bar
M053-P10	R1/8	Ø 53	45	10	0-10 bar
M053-P12	R1/8	Ø 53	45	10	0-12 bar
M063-P04	R1/4	Ø 62,5	45,5	12	0-4 bar
M063-P06	R1/4	Ø 62,5	45,5	12	0-6 bar
M063-P12	R1/4	Ø 62,5	45,5	12	0-12 bar

Pressure gauges for panel mounting

Precision class CL1,6 (mod. M063...)

Precision class CL2,5 (mod. M043... and M053...)



DIMENSIONS

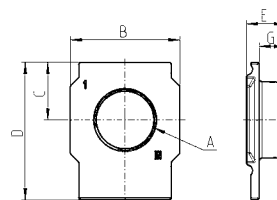
Mod.	A	B	C	D	E	F	G	H	J	Range
M043-F04	R1/8	Ø 41	38	10	Ø 60,5	53	Ø 3,5	1,2	42,5	0-4 bar
M043-F06	R1/8	Ø 41	38	10	Ø 60,5	53	Ø 3,5	1,2	42,5	0-6 bar
M043-F10	R1/8	Ø 41	38	10	Ø 60,5	53	Ø 3,5	1,2	42,5	0-10 bar
M043-F12	R1/8	Ø 41	38	10	Ø 60,5	53	Ø 3,5	1,2	42,5	0-12 bar
M063-F12	R1/4	Ø 62	43	12	Ø 84	74,5	Ø 3,5	1,2	63,5	0-12 bar

Terminal flanges (IN/OUT) for series MX
New


The kit is supplied with:

- 1x Flange INLET side
- 1x Flange OUTLET side

Materials: painted aluminium flanges.



Mod.	A	B	C	D	E	G
MX3-3/4-FL	G3/4	58	30,5	73	20,5	13,5
MX3-1-FL	G1	58	30,5	73	20,5	13,5

Rapid clamps kit for series MX
New

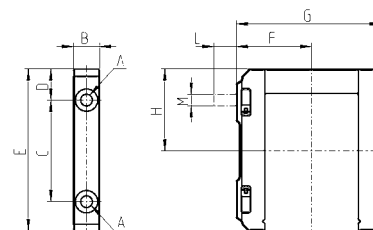

See positioning scheme on p. 3/1.50.04

The kit MX3-X is supplied with: 1x rapid clamp, 1x O-ring OR 3150 **, 2x square nuts, 2x screws M6x75.

The kit MX3-Z is supplied with: 1x rapid clamp, 1x O-ring OR 3150 **, 1x square nut, 1x screw M6x75, 1x screw M6x90 for wall fixing.

** it can be also separately ordered (cod. C401-F33)

Materials: technopolymer clamps, NBR O-ring, zinc-plated stainless steel nuts and screws.



Mod.	A	B	C	D	E	F	G	H	L	M
MX3-X	6,2	14	54	16,5	86	40	77	43,5	-	-
MX3-Z	6,2	14	54	16,5	86	40	77	43,5	13	M6 *

* kit with wall fixing screw

Rapid clamp kit with wall fixing brackets for series MX
New

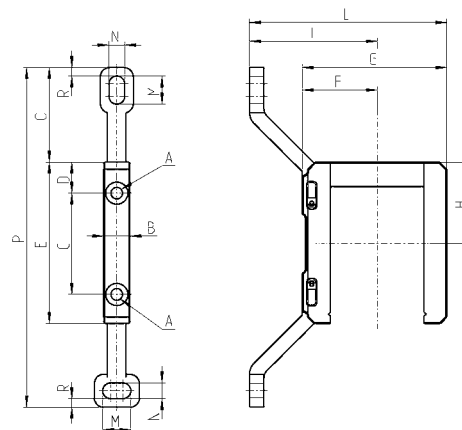

See positioning scheme on p. 3/1.50.04

The kit MX3-Y is supplied with:

- 1x wall rapid clamp, n° 1 O-ring,
- 2x square nuts, n° 2 screws M6x75

** it can be also separately ordered (cod. C401-F33)

Materials: technopolymer clamps, NBR O-ring, zinc-plated stainless steel nuts and screws.



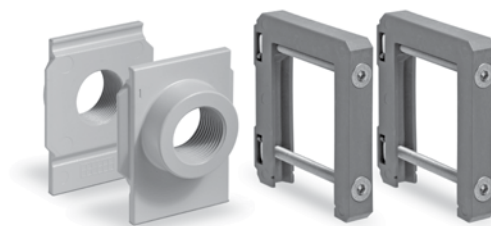
Mod.	A	B	C	D	E	F	G	H	I	L	M	N	O	P	R
MX3-Y	6,2	14	54	16,5	86	40	77	43,5	68	105	15	8,4	50,5	181	4,5

Rapid clamps kit + flanges for series MX

New

See positioning scheme on page 3/1.50.04

For the materials details see page 3/5.05.04.



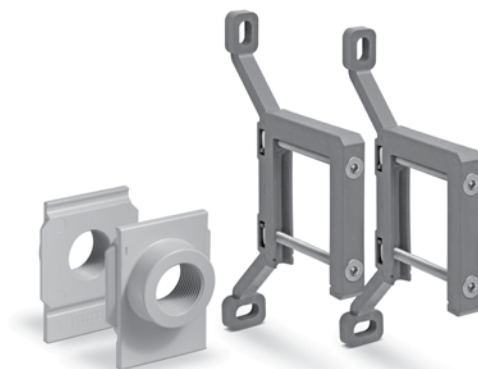
Mod.	The kit is supplied with:
MX3-3/4-HH	1x MX3-3/4-FL + 2x MX3-X
MX3-1-HH	1x MX3-1-FL + 2x MX3-X
MX3-3/4-JJ	1x MX3-3/4-FL + 2x MX3-Z
MX3-1-JJ	1x MX3-1-FL + 2x MX3-Z

Rapid clamps kit with wall fixing brackets + flanges for series MX

New

See positioning scheme on page 3/1.50.04.

For the materials details see page 3/5.05.04.

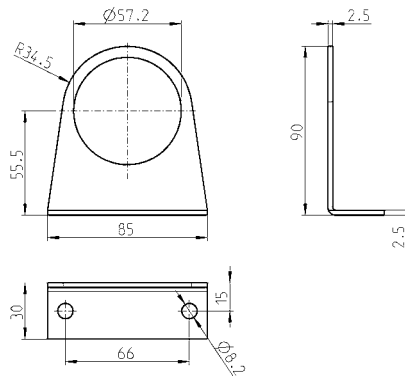


Mod.	The kit is supplied with:
MX3-3/4-KK	1x MX3-3/4-FL + 2x MX3-Y
MX3-1-KK	1x MX3-1-FL + 2x MX3-Y

Fixing bracket for regulator series MX

New

The kit is supplied with:
1x zinc-plated stainless steel bracket



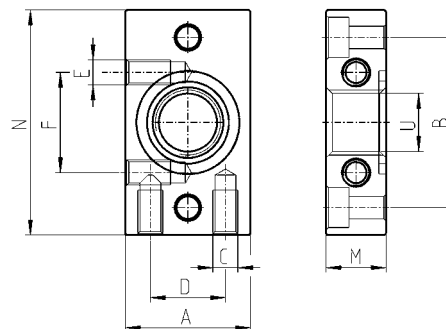
Mod.
MX3-S

Terminal flanges for Series MC (kit A)

The kit MC104-FL is supplied with: 1x left terminal flange; 1x right terminal flange; 4x screws M4x14; 2x O-Ring 2068.

Each of the kits MC202-FL and MC238-FL is supplied with: 1x left terminal flange; 1x right terminal flange; 4x screws M5x14; 2x O-Ring 3100.

Materials: painted aluminium flanges, zinc-plated stainless steel screws and NBR O-ring.



DIMENSIONS

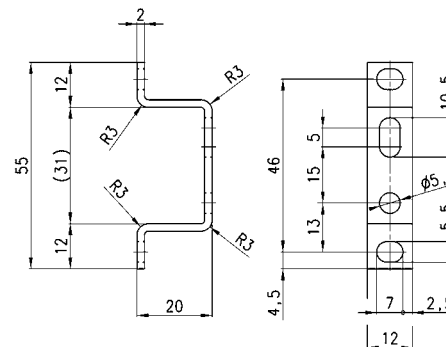
Mod.	A	B	C	D	E	F	N	M	U
MC104-FL	25	34	M5	15	M5	20	45	12	G1/4 1
MC238-FL	35	44,5	M5	20	-	-	60	14	G3/8 2
MC202-FL	35	44,5	M5	20	-	-	60	14	G1/2 2

Mounting bracket for Series MC (kit B)

Mounting bracket for terminals 1/4, 3/8, 1.

The kit MC104-ST is supplied with:
- 2x terminal brackets
- 4x screws M5x10

Materials: zinc-plated stainless steel brackets and screws.



DIMENSIONS

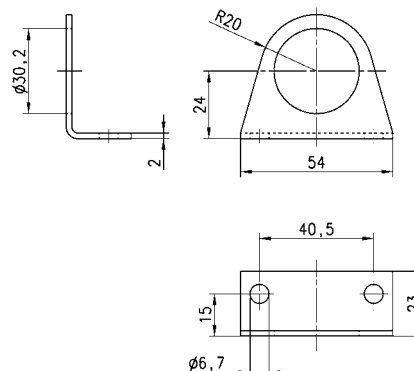
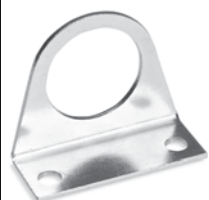
Mod.

MC104-ST

Mounting bracket for Series MC - M - N - T

Mounting bracket R - D (G1/4 - G1/8)

The kit is supplied with:
1x zinc-plated stainless steel bracket.



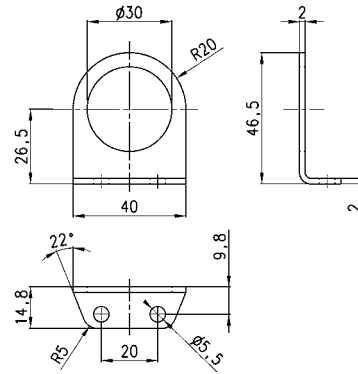
Mod.

C114-ST

Mounting bracket for Series MC - M - N - T

Mounting bracket R-D
(G1/4 - G1/8)

The kit is supplied with:
1x zinc-plated stainless steel bracket.

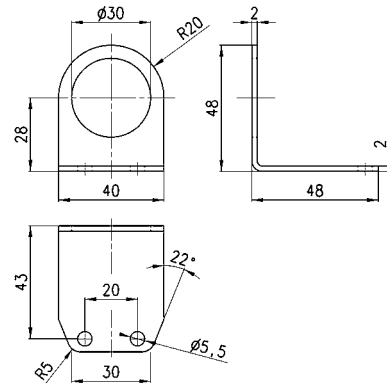


Mod.
C114-ST/1

Mounting bracket for Series MC - M - N - T

Mounting bracket R - D
(G1/4 - G1/8)

The kit is supplied with:
1x zinc-plated stainless steel bracket.



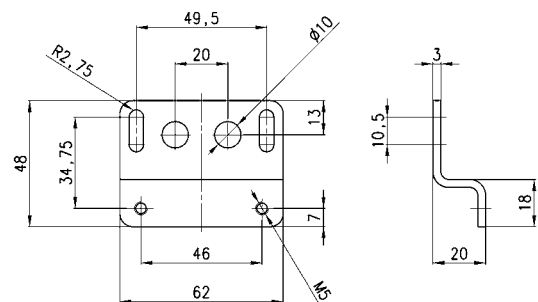
Mod.
C114-ST/2

Mounting bracket for Series MC

Mounting bracket for MC238 and MC202

The kit is supplied with:
- 1x bracket
- 2x screws M5X65

Materials: zinc-plated stainless steel bracket and screws.

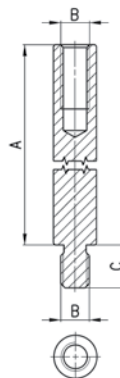


Mod.
C238-ST/1

Tie-rods for assembling, Series MC (kit C)


The kit MC1-TMF is supplied with:
2x male/female tie-rods; 1x O-ring 2068.
The kit MC2-TMF is supplied with:
2x male/female tie-rods; 1x O-ring 3100.

Materials: nickel-plated stainless steel tie-rods and NBR O-ring.



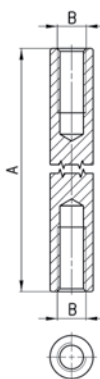
DIMENSIONS				
Mod.	A	B	SW	size
MC1-TMF	45	M4	6	1
MC2-TMF	62	M5	6	2

Tie-rods for assembling, Series MC (kit D)


The kit MC1-TFF is supplied with:
2x female tie-rods

The kit MC2-TFF is supplied with:
2x female tie-rods.

Materials: nickel-plated stainless steel tie-rods.

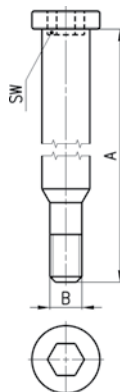


DIMENSIONS			
Mod.	A	B	size
MC1-TFF	44	M4	1
MC2-TFF	61	M5	2

Screws for assembling, Series MC (kit E)


The kit MC1-VM is supplied with:
2x male screws; 1x O-ring 2068.
The kit MC2-VM is supplied with:
n° 2 male screws; 1x O-ring 3100

Materials: zinc-plated stainless steel screws and NBR O-ring.

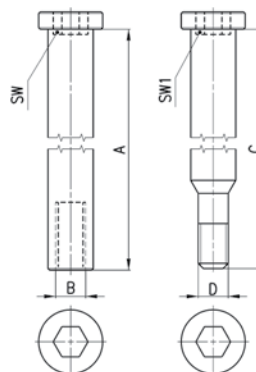


Mod.	A	B	SW	size
MC1-VM	48,5	M4	4	1
MC2-VM	65,5	M5	4	2

Screws for assembling, Series MC (kit F)


The kit is supplied with: 2x male screws; 2x female screws; 1x O-ring (OR 2068 for MC1-VMF; OR 3100 for MC2-VMF).

Materials: zinc-plated stainless steel male screws, nickel-plated stainless steel female screws and NBR O-ring.



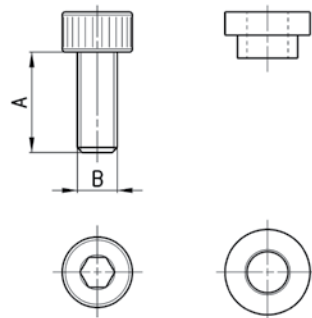
DIMENSIONS							
Mod.	A	B	C	D	SW	SW1	size
MC1-VMF	48,5	M4	42,5	M4	4	4	1
MC2-VMF	65,5	M5	59,5	M5	4	4	2

Screws for assembling, Series MC (kit G)



The kit MC1-VMD is supplied with:
 4x screws M4X10; 4x spacers; 2x O-ring 2068.
 The kit MC2-VMD is supplied with:
 4x screws M5X12; 4x spacers; 2x O-ring 3100.

Materials: zinc-plated stainless steel screws, brass spacers and NBR O-ring.



Mod.	A	B	Size
MC1-VMD	10	M4	1 *
MC2-VMD	12	M5	2 *

Mounting bracket for Series N

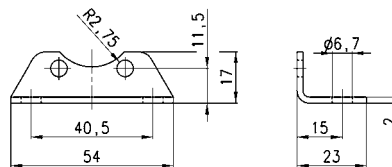


Mounting bracket F-L (for N204)

The kit is supplied with:

- 1x bracket
- 2x screws M5X6

Materials: zinc-plated stainless steel bracket and screws.



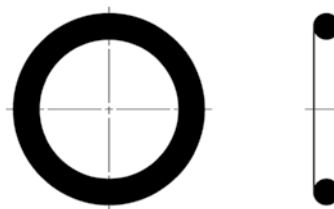
Mod.
N204-ST

Assembly O-ring for Series MC - MX



O-ring for assembly of F - R - L - D:

- for MC104 mod. 458-33/1 (OR 2068)
- for MC238 and MC202 mod. 80-26-11/4T (OR 3100) [spare part only].
- for series MX3 mod. C401-F33 (OR 3150)



Functioning condensate drains Series MX, MC and N

Semi-automatic - manual drain; Automatic drain
Depressurisation drain; Depressurisation drain, protected
Port 1/8 (without drain)



3

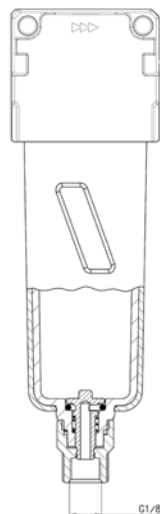
TREATMENT

Semi-automatic - manual drain (Type: 0 and 1)



The version with semi-automatic drain works as follows:

- 1) With the operator mechanism turned clockwise, each time the pressure falls below 0,3 bar, the condensate will be released; when resetting the pressure, the drain will close again.
- 2) The release can also be carried out manually; when the bowl is pressurised, the operator mechanism is pushed upwards.

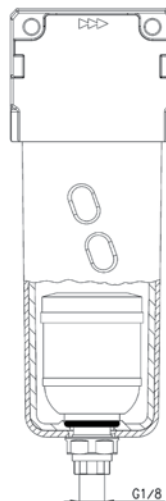


To stop the discharge of condensate, the operator mechanism is turned clockwise to completely close the drain. Applied on Series MC ports G1/4, G3/8 and G1/2 and Series N ports G1/8 and G1/4.

Automatic drain (Type: 3)



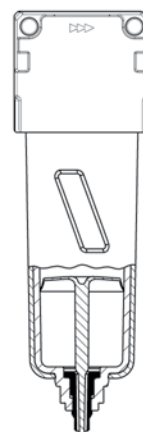
The automatic drain model discharges the condensate each time the maximum permissible level in the bowl is reached. Applied on Series MC sizes G3/8 and G1/2.



Depressurisation drain (Type: 4)



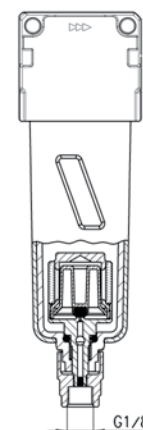
The depressurisation drain allows the rapid removal of condensate at each air consumption of the system. A pressure drop of 0,1 bar is sufficient to obtain the release of a small quantity of air or condensate present at the bottom of the reservoir, after which the drain is closed. Applied on Series MC for port G1/4 and Series N ports G1/8 and G1/4 only with normal bowl (2).



Depressurisation drain, protected (Type: 5)



The depressurisation drain allows the rapid removal of condensate at each air consumption of the system. A pressure drop of 1 bar is sufficient to obtain the release of a small quantity of air or condensate present at the bottom of the reservoir, after which the drain is closed. This version has a filtering element which protects the outlet holes from any impurity. Applied on Series MC for ports G1/4, G3/8 and G1/2 and Series N ports G1/8 and G1/4 only with normal bowl (2).



Port 1/8 without drain (Type: 8)



This version permits connection of external items to the bowl via a through hole of \varnothing 3 mm and a threaded port G1/8. Applied on Series MC for ports G1/4, G3/8 and G1/2 and Series N ports G1/8 and G1/4.

