

JIECANG

LINEAR MOTION



CONTENT

LINEAR ACTUATORS



JC35D	08
JC35DF	10
JC35G	12
JC35L	14
JC35W	16

DUAL MOTOR



JC35S	18
-------	----

COLUMNS



JC35EF	20
JC35EG-3	22
JC35ER-2	24
JC35ER-3	26
JC35ES-2	28
JC35ES-3	30

ADJUSTABLE TABLES



JC35TA	32
JC35TS	34
JC35TD	36

TV LIFTS



JC35VT	38
--------	----

CONTENT

CONTROL BOXES



JCR35	40
JCB35E	41
JCB35G	42
JCB35J	43
JCJ35	44
JCJ35D	45

HAND/FOOT CONTROLS



JCHB35 / JCHC35	46
JCHE35 / JCHJ35 / JCHL35	47
JCHQ35 / JCHS35 / JCHX35	48
JCHM35 / JCHT35 / JCHT35J / JCHT35H	49
JCF35 / JCFS35	50
JCHI35 / JCHN35A	51
JCHR35B / JCHR35C / JCHR35D / JCHR35E	52

ACCESSORIES



MAIN-CUT JCP35A / SMPS JCP35PA-50 / JCP35PA-40	53
NIGHT LIGHT JCP35E-LED / CONNECTION BOX JCP35Z	54
SIDERAIL JCP35H03 / HEADBOARD JCP35J01	55

ADDITIONAL INFORMATION

 56

OVERVIEW



Jiecang is the leading Chinese manufacturer of Linear Actuators with the priority of quality and innovation. Since the founding of our company in 2000, JIECANG have gained a reputation for the linear actuator systems in the sectors of Medical, Office, Furniture and other industry markets. In 2000, JIECANG supplied the linear actuator systems for hospital beds. In 2005, JIECANG developed the lifting systems for office tables and actuator systems for furniture market. In 2008, JIECANG launched the first actuator for industry market. Now, most of the JIECANG actuators are approved as the safety and good quality products all over the worlds.



Jiecang control virtually all production process in house, from injection moulding, machining and soldering, through to final assembly. Each product is tested 100% before shipment.

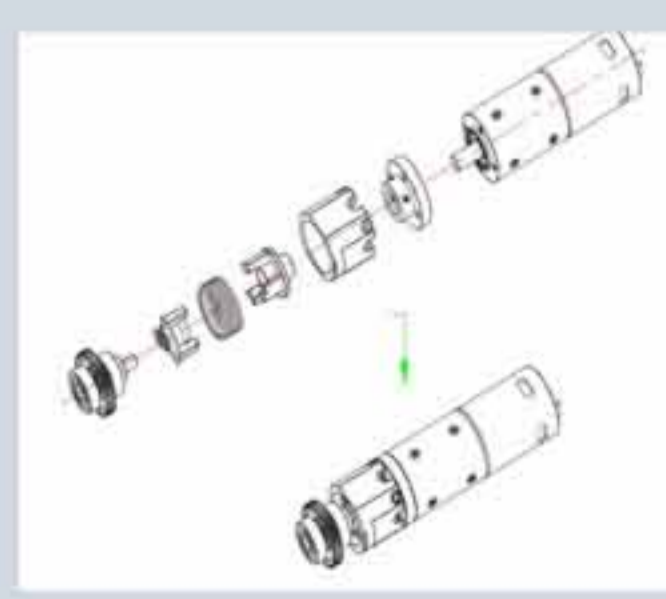
OVERVIEW

Jiecang has setup a Global distribution network,
providing their customers with regional support worldwide



ISO9001:2008 ISO14001:2004

Jiecang is certified to ISO9001:2008,
ISO14001:2004 and CE, UL and
RoHS approved.



Jiecang is a leading innovator in linear motion technology and
electronic control, achieved through continuous new product
development for existing and new customers alike.

OVERVIEW

According to the applications, JIECANG linear actuator systems can serve for the following four lines.



Medical Line



Office Line



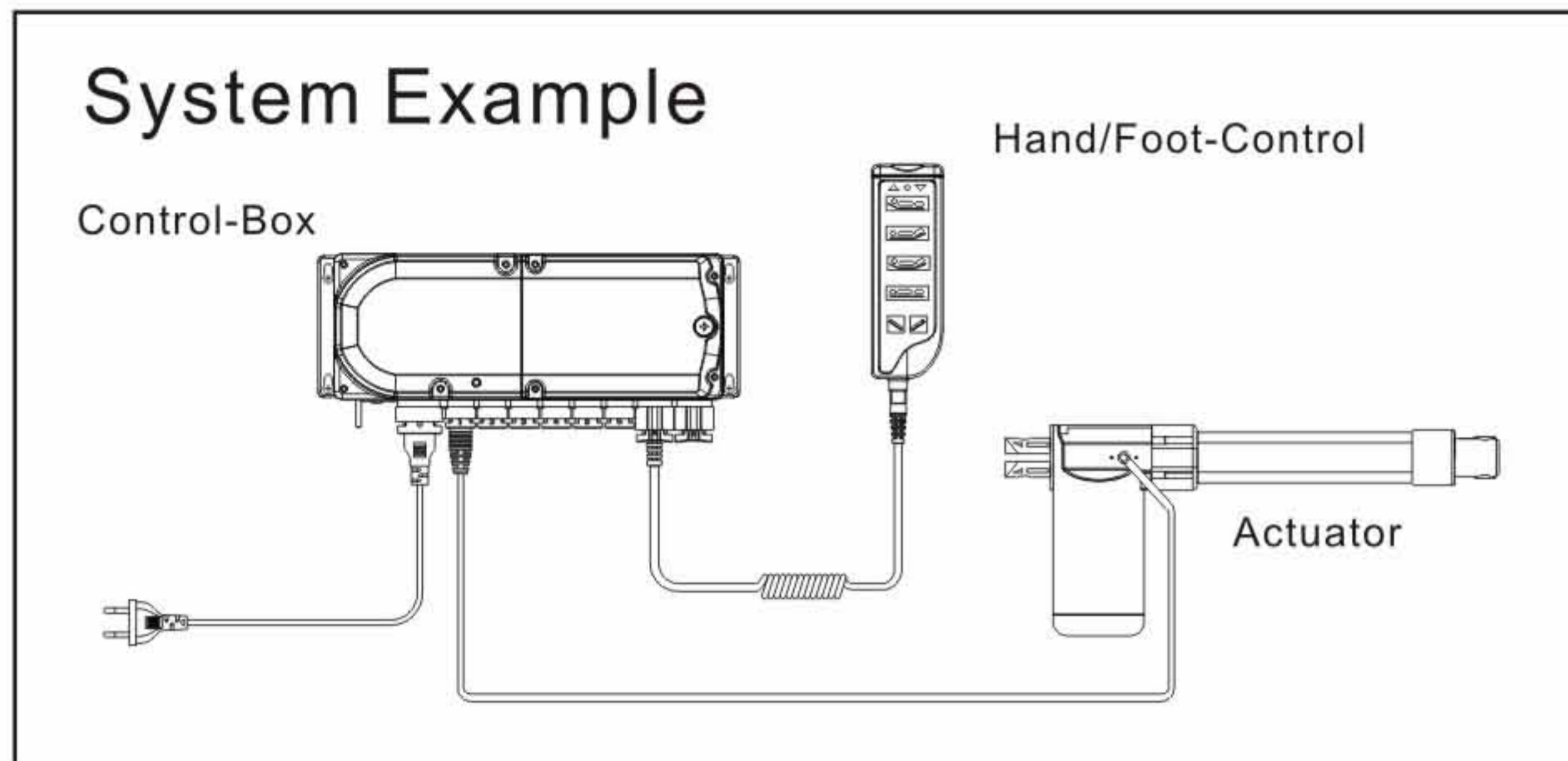
Furniture Line



Industry Line

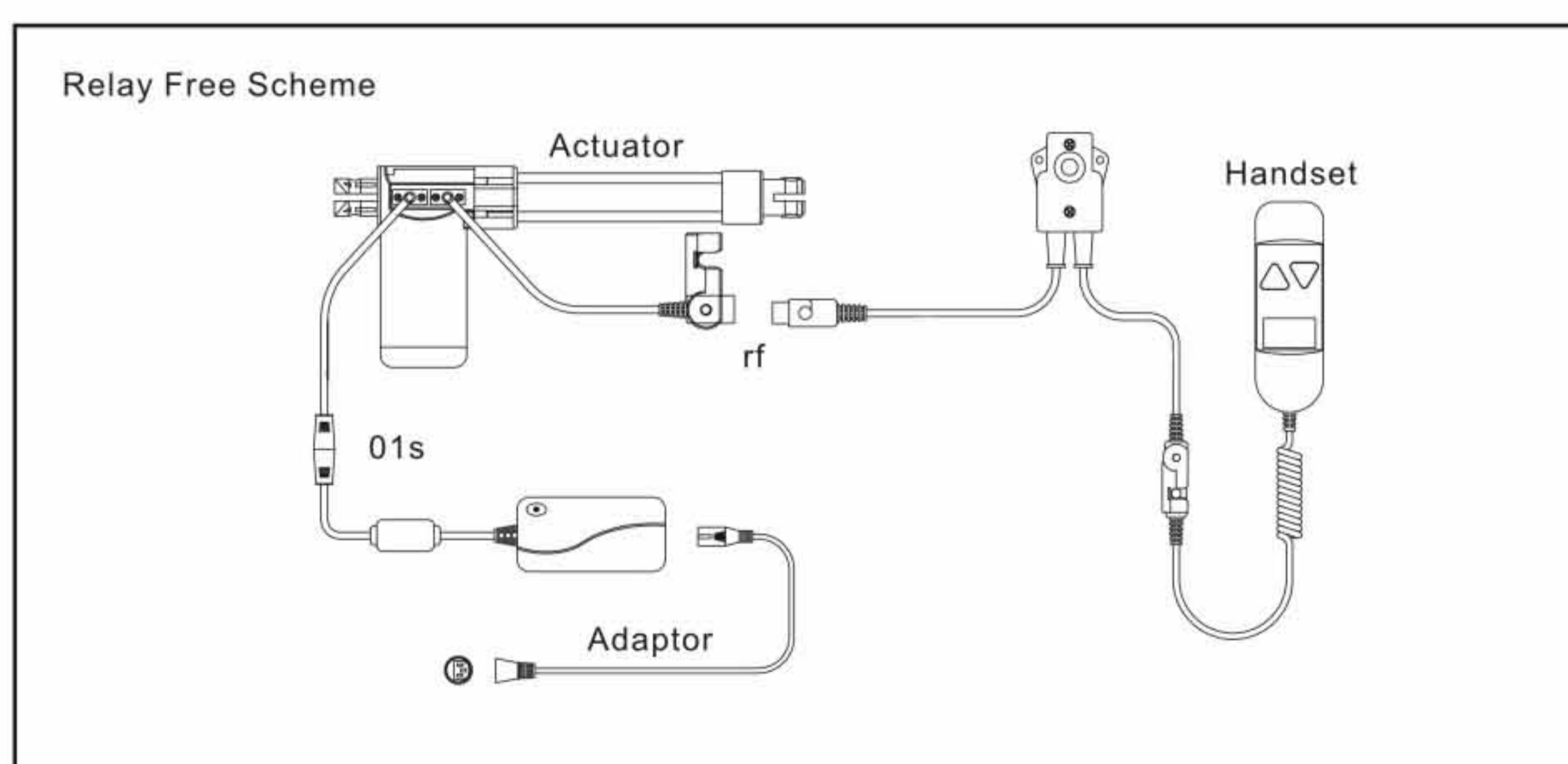
OVERVIEW

Linear Actuators/Columns are easy to apply, quick to install and require no maintenance. Our wide variety of options, Control-Boxes and Hand/Foot-Controls makes it easy to find the perfect solution for your application. You can see the system example on the picture below.



GENERAL INFORMATION

- **Cables:**
 - 1.5 m straight are standard used for Linear Actuators/Columns.
 - 3 m straight are standard used for Control boxes.
 - 1 m coiled (stretched 4 m) are used for hand/Foot-Controls(If there is no special described in the catalogue).
 - Colors are Black or Grey according to the unit connected.
- **Hall sensor:** For precise and controlled movements, actuators can be equipped with Hall Sensors - perfectly suited for synchronized movement or position memory. An appropriate Control Box needs to be used.
- **Reed switch:** An economic solution for controlled movement and position memory are actuators equipped with a Reed Switch. An appropriate Control Box needs to be used.
- **Only push no pull:** For safety (for example to protect the fingers..), the actuator can apply force in one direction only - it can push the load. But when the actuator moves back, it will not pull the load. The load will retract the actuator by its weight ("only push no pull" function).
- **Brake spring:** According to the application, sometimes are required higher static loads. Our actuators can be equipped with a one-direction Spring Break (either for push or pull) to increase the static loads even more. For more details, please contact us or our partner.
- **Over load protection in control box:** The overload protection is integrated inside of our Control Boxes. Therefore we highly recommend to use all system components from Jiecang (Actuators, Control Box, Hand Control).
 - please specify the different protections (single, combined, PTC) in the section of Control Boxes
- **Relay free version:** Sometimes our customers have applications, which are extremely demanding for space. We have an extra-compact system for these applications as well. The Relay Free System uses a special Hand Control for high current and actuator with both plugs for 24VDC and Hand Control. Recommended is to use our SMPS(Switch Mold Power Supply) JCP35PA (see page 53).



LINEAR ACTUATORS

JC35D

FEATURES

- basic and economic design
- up to 6000N load capacity
- direct mounting on Control Box possibility



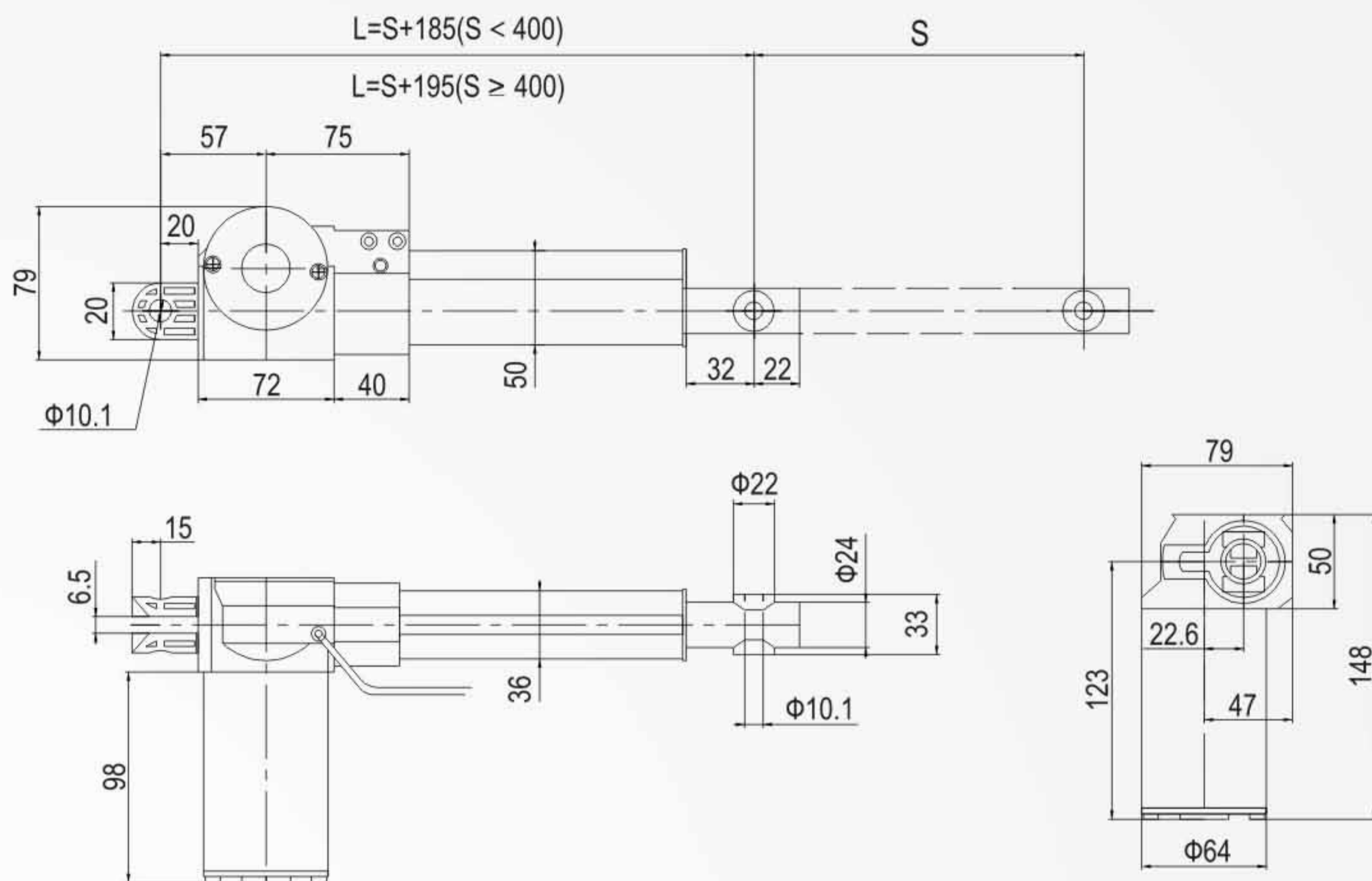
SPECIFICATIONS

Dynamic Load Push (N)	6000	4000	3000	2000	750
Dynamic Load Pull (N)	4000	4000	3000	2000	750
Static Load push * (N)	6000	4000	3000	2000	750
Static Load pull * (N)	4000	4000	3000	2000	750
Input (VDC)	24				
Speed at Full Load (mm/s)	3	4	8	12	22
Input (VDC)	12				
Speed at Full Load (mm/s)	2.6	3.5	5	9	18
Stroke Length	100~400mm (option >400mm)				
Mounting position	H type, V type and 45 degree type (see page 57)				
Colour	Black or Grey				
Limit Switch	Build-in				
Overload Protection	integrated in appropriate Control-Box				
Duty Cycle	10%, max 2min. continuous use				
Inner Tube	Aluminum Tube				
End clevis	Zinc-alloy				
IP Grade	IP43				
Operating Temperature	+5°C ~ +40°C				
Standard	CE / UL				
Optional Features	Hall sensor option (type JC35DY)				
	Reed switch option (type JC35DR)				
	Only push option (type JC35DP)				
	Relay free option (see page 07)				

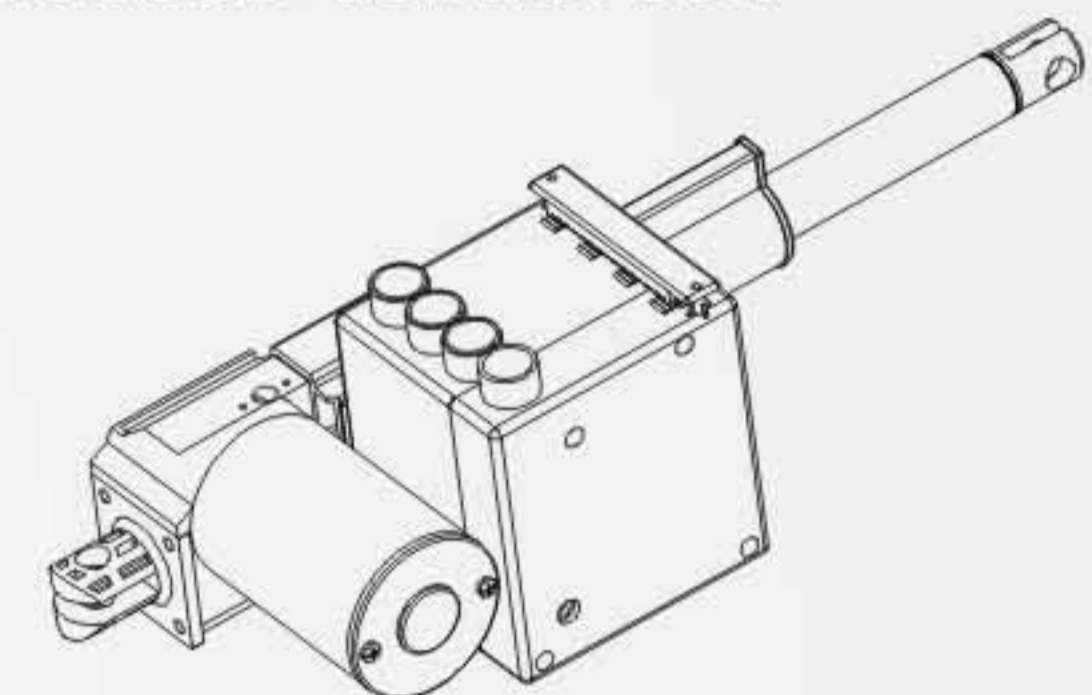
* The values apply when appropriate Jiecang Control Box is used, which short-circuits the motor during stop.

LINEAR ACTUATORS

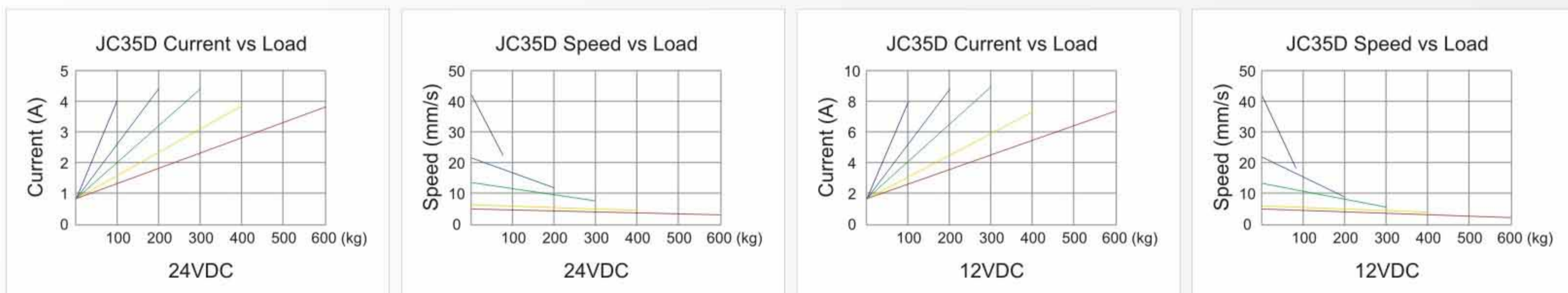
DIMENSIONS



JC35D mounted with JCJ35D control box



PERFORMANCE



ORDER KEY EXAMPLE

JC35D - 6 - 3 - 24 - 100 - 285 - 4s - H - G - X

- ▶ Only if special option ★
- ▶ Colour (G: grey, B: black)
- ▶ Mounting position (see page 57)
- ▶ Plug (see page 56)
- ▶ Retracted length (mm) - see dimension L
- ▶ Stroke length (mm)
- ▶ Input voltage (VDC)
- ▶ Speed at full load (mm/s)
- ▶ Dynamic load capacity (kN)
- ▶ Type (JC35D, JC35DP, JC35DY)

- ★
- B1 brake for push
- B2 brake for pull
- RF relay free version (see page 07)

LINEAR ACTUATORS

JC35DF

FEATURES

- Strong and robust design
- Low noise, IP66
- Ideal for medical, furniture and industry applications



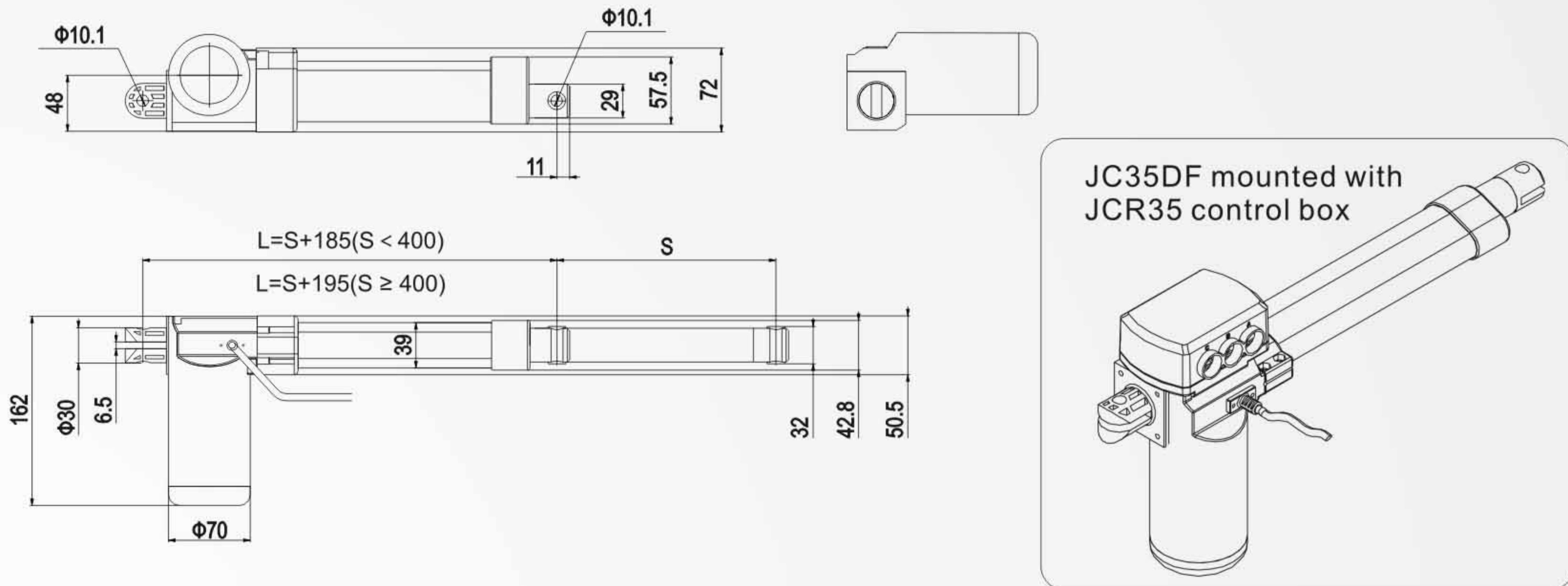
SPECIFICATIONS

Dynamic Load Push (N)	6000	4000	3000	2000	750
Dynamic Load Pull (N)	4000	4000	3000	2000	750
Static Load Push * (N)	6000	4000	3000	2000	750
Static Load Pull * (N)	4000	4000	3000	2000	750
Input (VDC)	24				
Speed at Full Load (mm/s)	3.5	4.5	8	12	22
Input (VDC)	12				
Speed at Full Load (mm/s)	3	4	5	9	18
Stroke Length (mm)	100~400 (option >400)				
Mounting Position	H type, V type and 45 degree type (see page 57)				
Colour	Black or Grey				
Limit Switch	Build-in				
Overload Protection	Integrated in appropriate Control-Box				
Duty Cycle	10%, max 2min. continuous use				
Inner Tube	Aluminum Tube				
End clevis	Zinc-alloy				
IP Grade	IP66				
Operating Temperature	+5°C ~ +40°C				
Standard	UL60601-1 / EN60601-1				
Optional Features	Hall sensor option (type JC35DFY)				
	Reed switch option (type JC35DFR)				
	Push-Only option (type JC35DFP)				
	Relay free option (see page 07)				

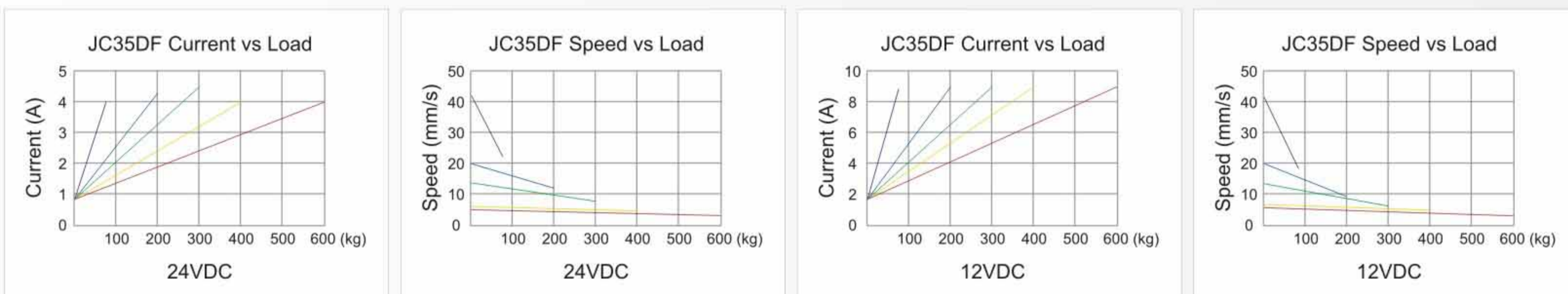
* The values apply when appropriate Jiecang Control Box is used, which short-circuits the motor during stop.

LINEAR ACTUATORS

DIMENSIONS

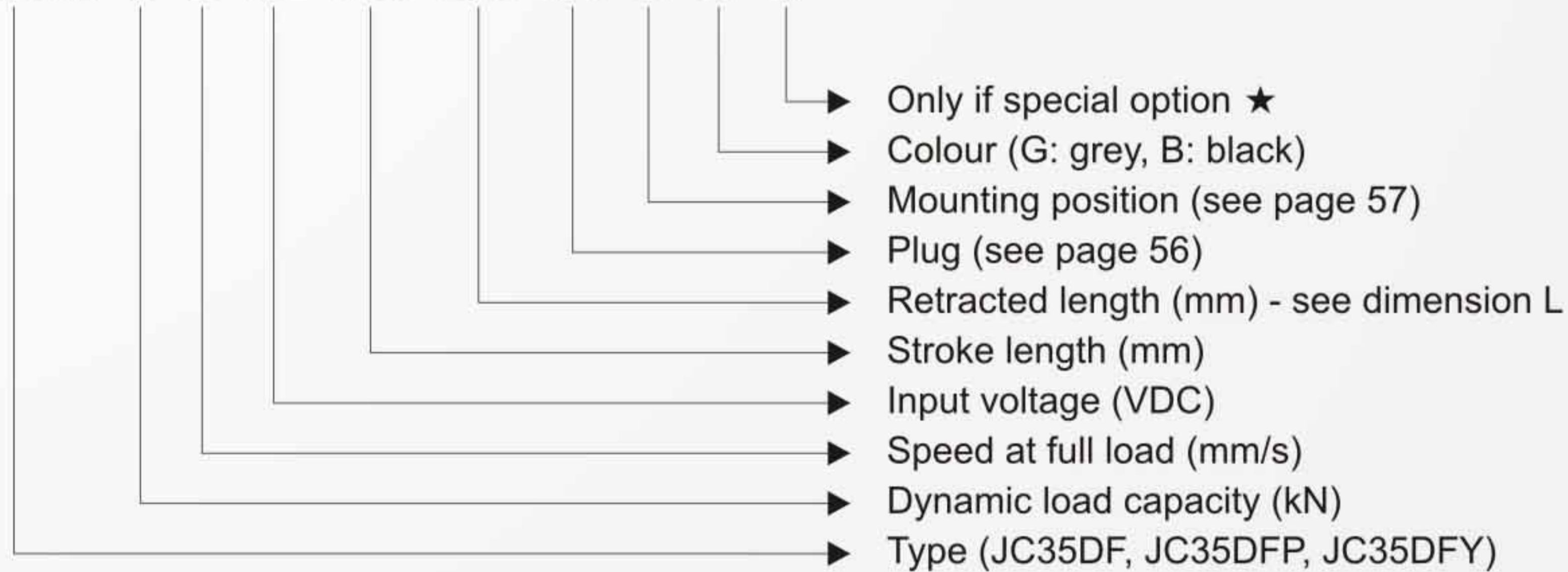


PERFORMANCE



ORDER KEY EXAMPLE

JC35DF - 6 - 3 - 24 - 100 - 285 - 4s - H - G - X



★
 B1 brake for push
 B2 brake for pull
 RF relay free version (see page 07)

LINEAR ACTUATORS

JC35G

FEATURES

- Low noise, IP66 and quick release option
- Optimal for medical applications
- Designed to match with control box JCB35G
- Integrated cable plug, cable can be customized



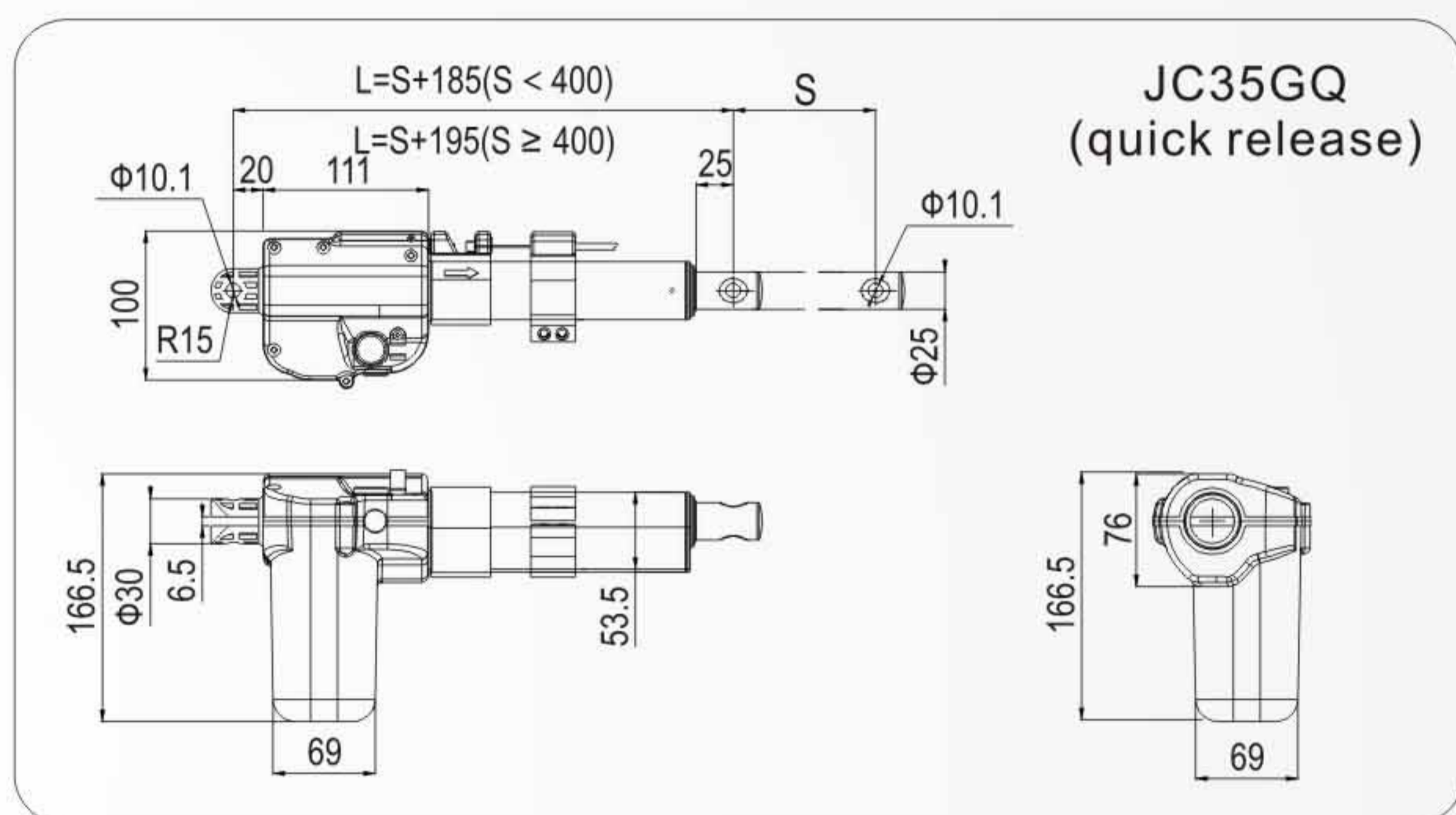
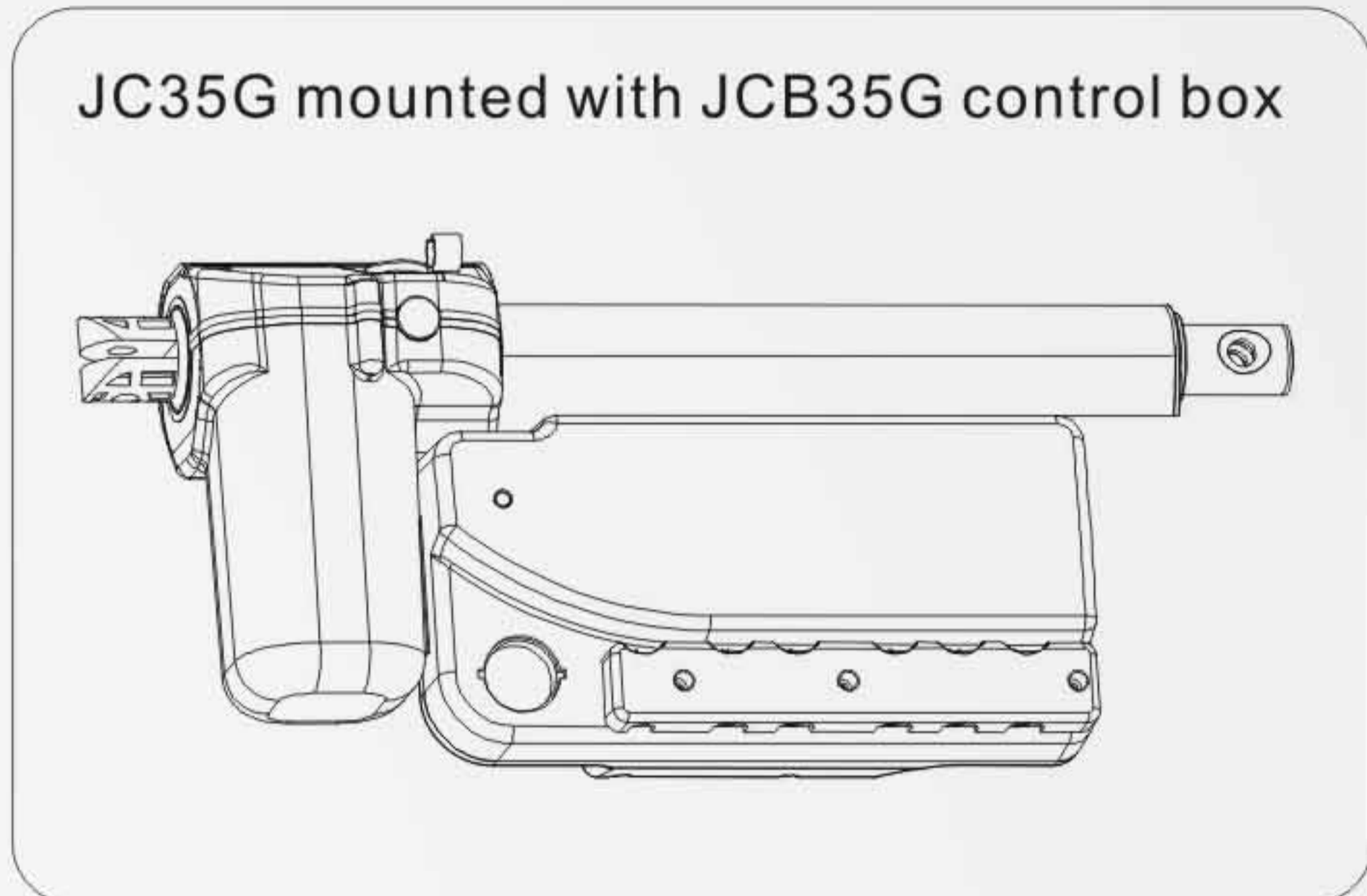
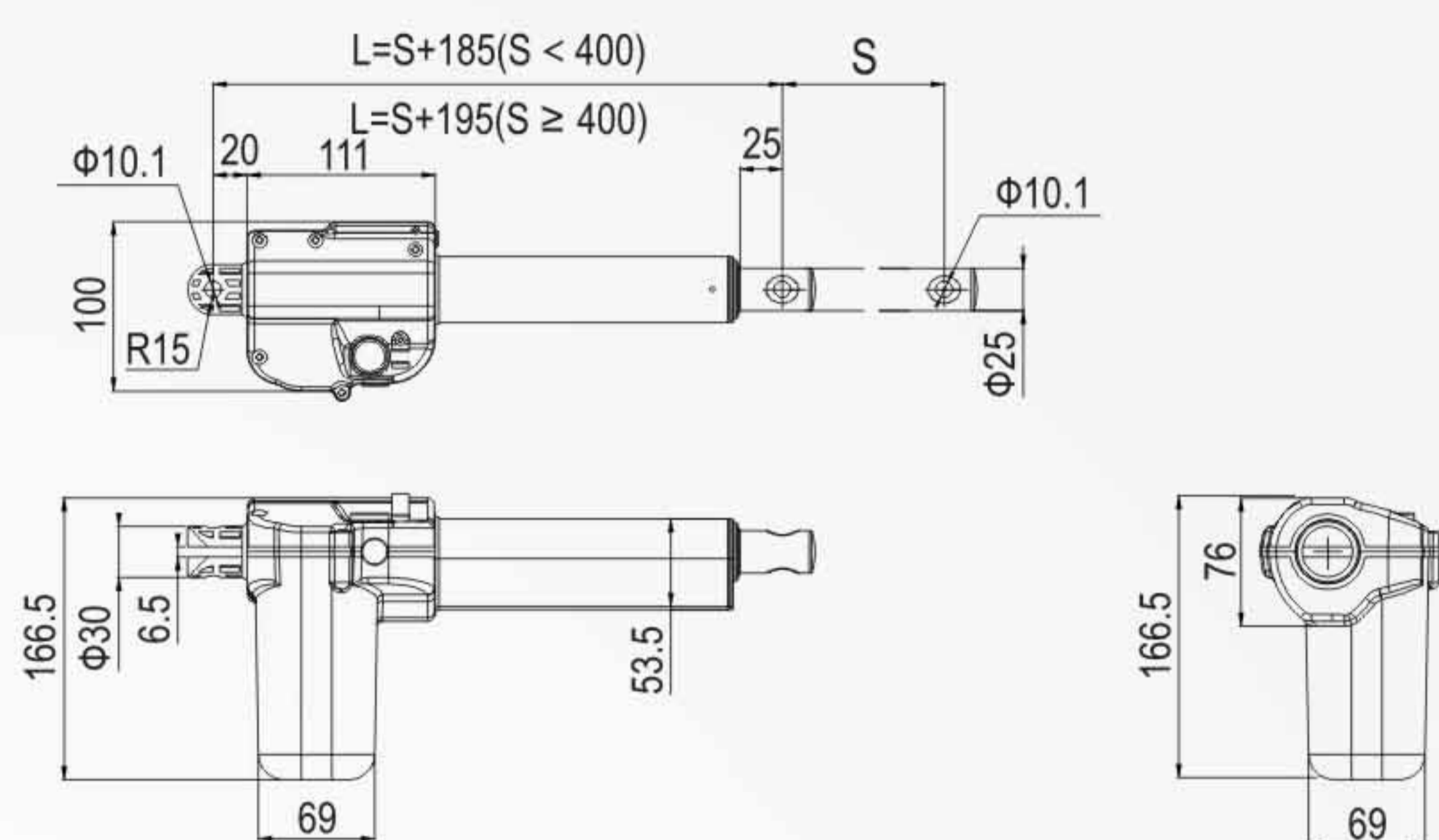
SPECIFICATIONS

Dynamic Load Push (N)	6000	4000	3000	2000
Dynamic Load Pull (N)	4000	4000	3000	2000
Static Load Push * (N)	6000	4000	3000	2000
Static Load Pull * (N)	4000	4000	3000	2000
Speed at Full Load (mm/s)	3.5	4.5	8	12
Input (VDC)	24			
Stroke Length (mm)	100~400 (option >400)			
Mounting position	H or V type (see page 57)			
Colour	Black or Grey			
Limit Switch	Build-in			
Overload Protection	integrated in appropriate Control-Box			
Duty Cycle	10%, max 2min. continuous use			
Inner Tube	Powder Painted Steel Tube			
End clevis	Zinc-alloy			
IP Grade	IP66			
Operation Temperature	+5°C ~ +40°C			
Standard	UL60601-1 / EN60601-1			
Optional Features	Quick release option (type JC35GQ)			
	Hall-Sensor option (type JC35GY, JC35GQY)			
	Push-Only option (type JC35GP, JC35GPY)			
	Safety Nut option			

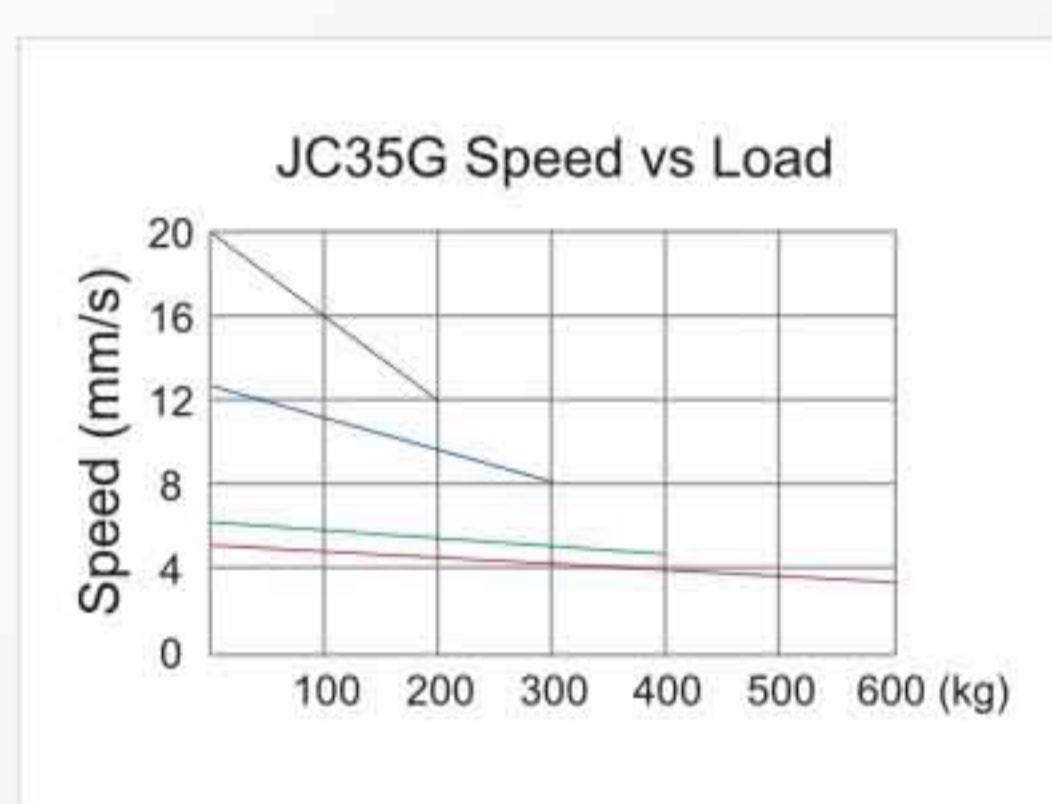
* The values apply when appropriate Jiecang Control Box is used, which short-circuits the motor during stop.

LINEAR ACTUATORS

DIMENSIONS



PERFORMANCE



ORDER KEY EXAMPLE

JC35G - 6 - 3 - 24 - 100 - 285 - 4sd - H - G - X

- ▶ Only if special option ★
- ▶ Colour (G: grey, B: black)
- ▶ Mounting position (see page 57)
- ▶ Plug(4sd)
- ▶ Retracted length (mm) - see dimension L
- ▶ Stroke length (mm)
- ▶ Input voltage (VDC)
- ▶ Speed at full load (mm/s)
- ▶ Dynamic load capacity (kN)
- ▶ Type (JC35G, JC35GP, JC35GY, ...)

- ★
- S safety nut
- B1 brake for push
- B2 brake for pull

LINEAR ACTUATORS

JC35L

FEATURES

- The track actuator with nut moving outside on the profile
- The mounting dimension is fixed according to the stroke
- Ideal for reclining chairs and TV Lift applications



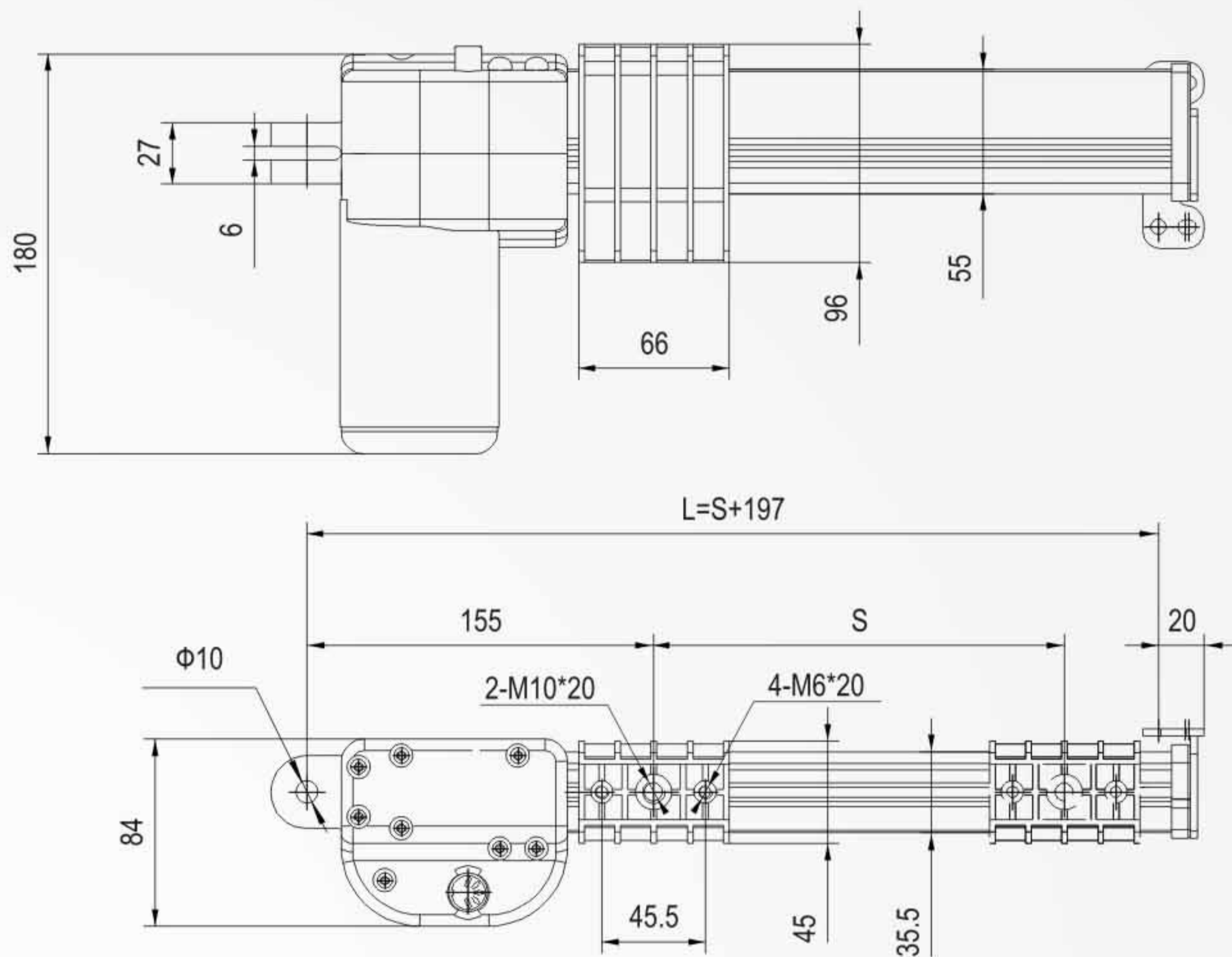
SPECIFICATIONS

Dynamic Load Push (N)	4000	2000	750
Dynamic Load Pull (N)	4000	2000	750
Static Load * (N)	4000	2000	750
Speed at Full Load (mm/s)	4.5	12	22
Input (VDC)	24		
Stroke Length (mm)	100~400 (option >400)		
Mounting position	H type		
Colour	Black or Grey		
Limit Switch	Build-in		
Overload Protection	Integrated in appropriate Control-Box		
Duty Cycle	10%, max 2min. continuous use		
Guide Tube	Aluminum Tube		
End clevis	Plastic		
IP Grade	IP20		
Operating Temperature	+5°C ~ +40°C		
Standard	CE		
Optional Features	Hall sensor option (type JC35LY)		
	Relay free option (see page 07)		

* The values apply when appropriate Jiecang Control Box is used, which short-circuits the motor during stop.

LINEAR ACTUATORS

DIMENSIONS

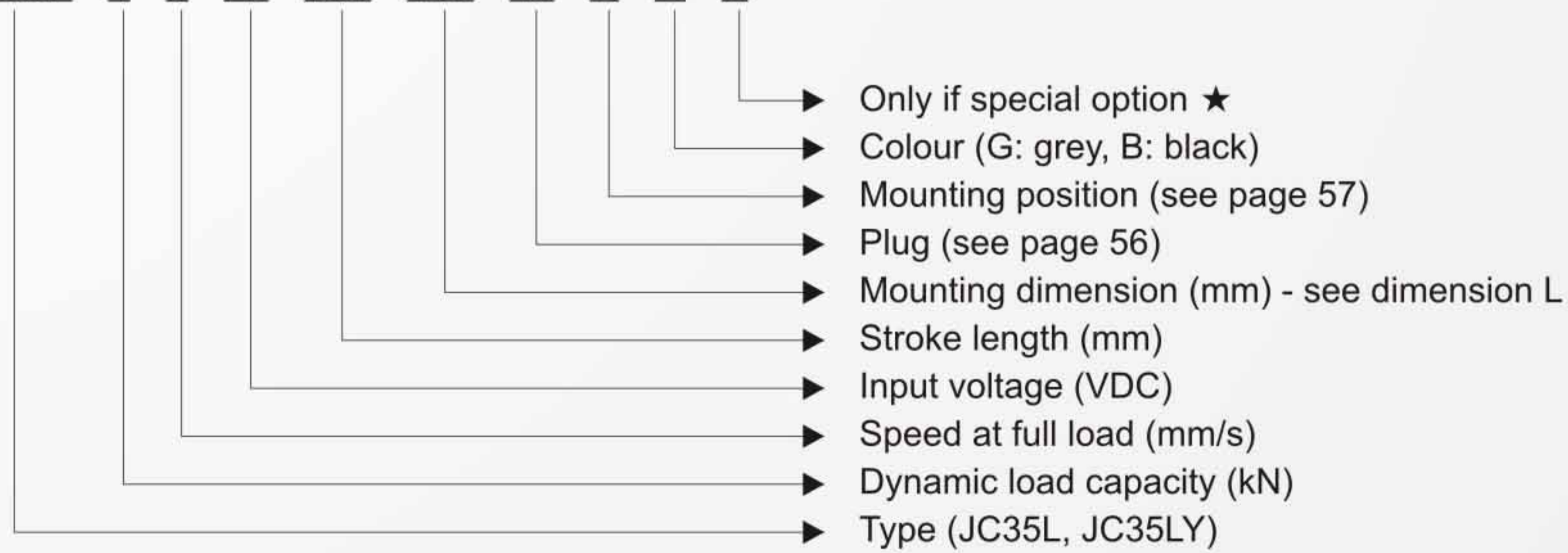


PERFORMANCE



ORDER KEY EXAMPLE

JC35L - 4 - 4 - 24 - 100 - 297 - 4s - H - G - X



★
 B1 brake for push
 B2 brake for pull
 RF relay free version (see page 07)

LINEAR ACTUATORS

JC35W

FEATURES

- Compact size
- High duty cycle with IP54
- Universal for applications:
industrial and agriculture machines,
ventilation systems and many more

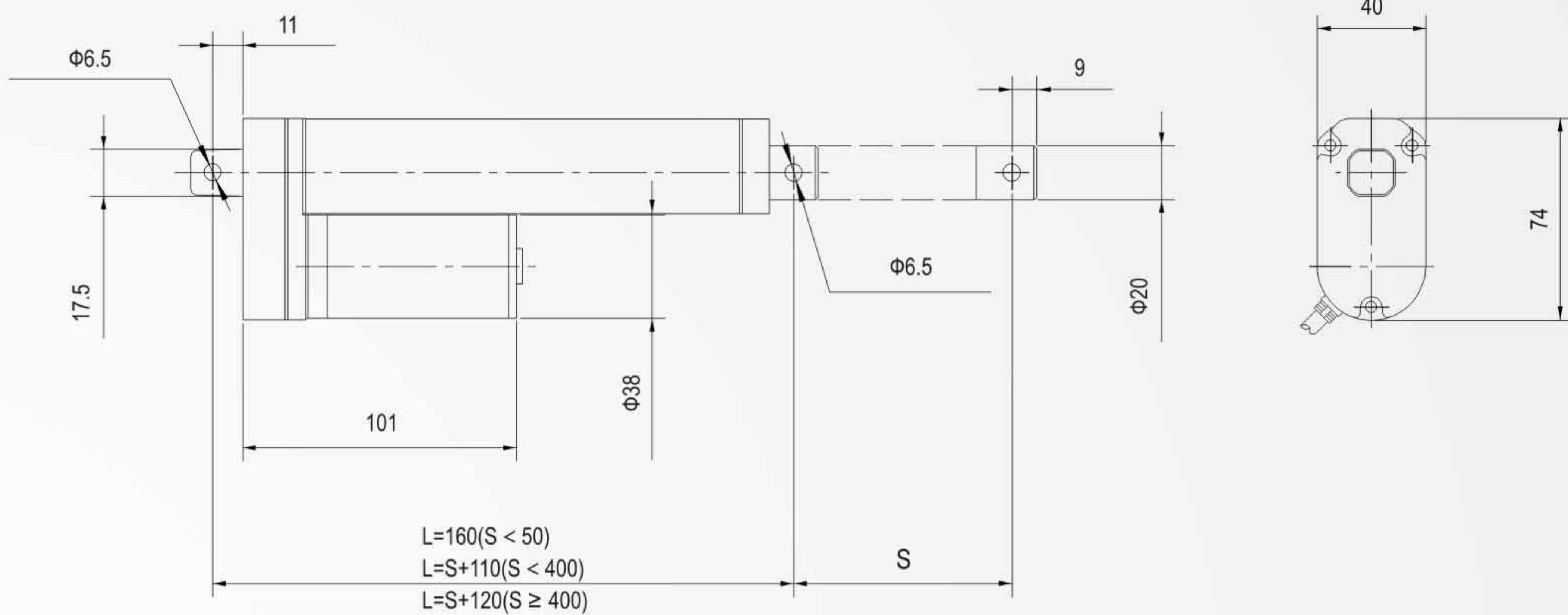


SPECIFICATIONS

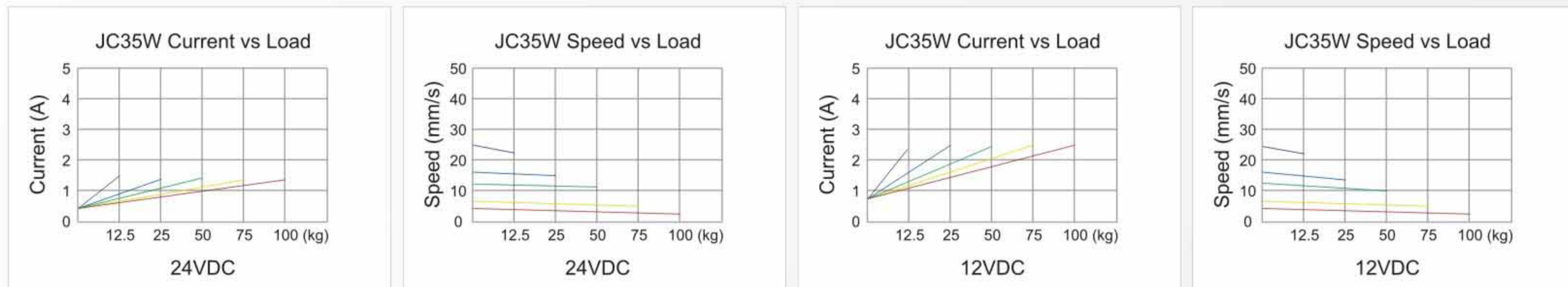
Dynamic Load Push	(N)	125	250	500	750	1000
Dynamic Load Pull	(N)	125	250	500	750	1000
Static Load Push	(N)	150	300	600	900	1200
Static Load Pull	(N)	150	300	600	900	1200
Input	(VDC)	24				
Speed at Full Load	(mm/s)	22	15	11	6	4
Input	(VDC)	12				
Speed at Full Load	(mm/s)	22	14	10	6	3.5
Stroke Length	(mm)	100~400 (option >400)				
Mounting Position		V type (see page 57)				
Colour		Black				
Limit Switch		Build-in				
Overload Protection		integrated in appropriate Control-Box				
Duty Cycle		25%, max 5min. continuous use				
Inner Tube		Aluminum tube				
End clevis		Zinc-alloy				
IP Grade		IP54				
Operating Temperature		0°C~40°C				
Standard		CE				
Screw		ACME screw				

LINEAR ACTUATORS

DIMENSIONS



PERFORMANCE



ORDER KEY EXAMPLE

JC35W - 0.12 - 22 - 24 - 100 - 210 - 4s - H - B

- ▶ Type (JC35W)
- ▶ Dynamic load capacity (kN)
- ▶ Speed at full load (mm/s)
- ▶ Input voltage (VDC)
- ▶ Stroke length (mm)
- ▶ Retracted length (mm) - see dimension L
- ▶ Plug (see page 56)
- ▶ Mounting position (see page 57)
- ▶ Colour (B: black)

DUAL MOTOR

JC35S

FEATURES

- Strong and robust design
- 2x 6000N with additional out puts
- RF remote or Wired hand control option

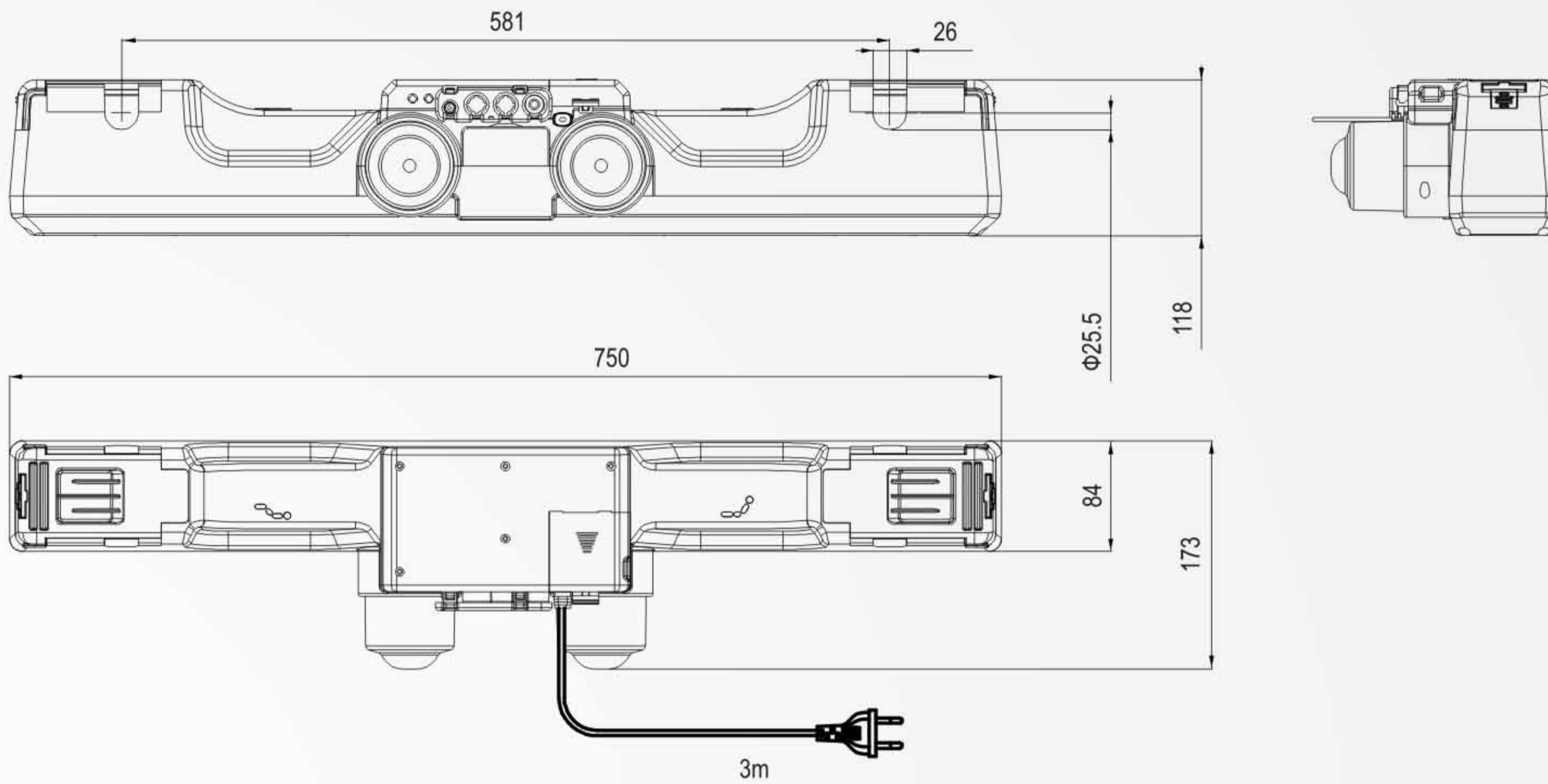


SPECIFICATIONS

Dynamic Load push (N)	6000×2
Static Load push (N)	6000×2
Backrest stroke (mm)	max 87 (option)
Footrest stroke (mm)	max 87 (option)
Main input voltage (VAC)	110/230 (option)
Standby power consumption	SMPS or Main-cut (option), less than 0.5W
Colour	Black or Grey
Mounting position	581 + -3mm
Limit Switch	Built-in
Overload Protection	PTC
Duty Cycle	10%, max, 2min. continuous use
IP Grade	IPX4
Operation Temperature	5°C ~ 40°C
Standard	EN60601-1, CE
Emergency lowering	By means of connecting 2 x 9V batteries not included
Optional Features	Control 2 additional single actuators with 4sd plug (type JC35S-2)
	Control 2 massage motors (type JC35S-3)

DUAL MOTOR

DIMENSIONS



PERFORMANCE



ORDER KEY EXAMPLE

JC35S - 1 - 6 - 75 - 50 - 230 - EF - B - X

- Only if special option
- Colour (G:grey, B:black)
- Main plug - see page 56
- Main input voltage (VAC)
- Footrest stroke (mm)
- Backrest stroke (mm)
- Dynamic load capacity (kN)
- Series No. ★
- Type (JC35S)

- ★
- 1 Standard
- 2 with 2 actuators output function
- 3 with 2 massage motors output function

LIFTING COLUMNS

JC35EF

FEATURES

- JC35EF column is designed for a wide range of workstation applications, like computer workstations, work benches, assembly desks, kitchens
- With the Hall sensors built-in, JC35EF can be operated either as single column or several columns in synchronized movement by choosing a control box with micro-processor



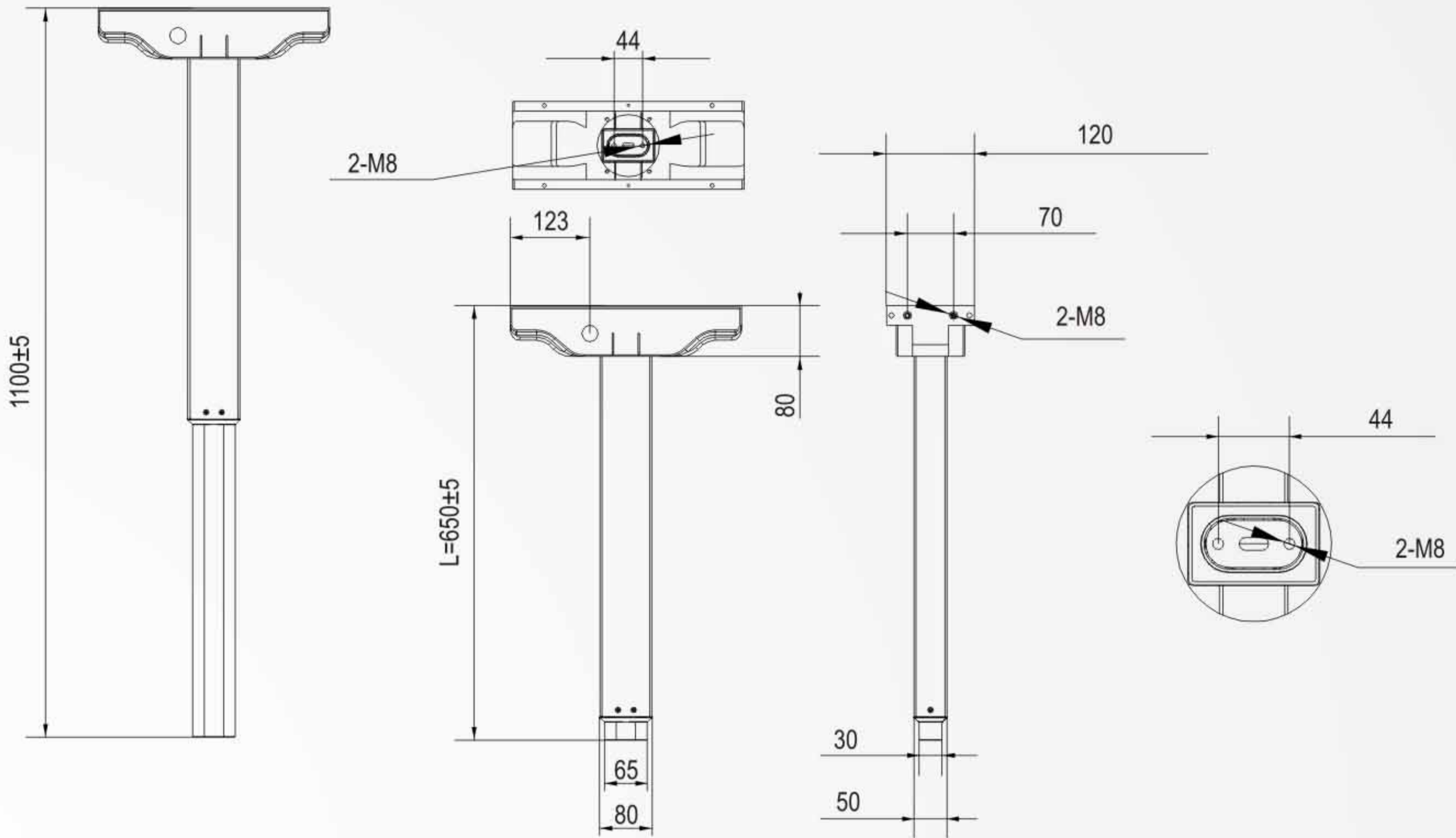
SPECIFICATIONS

Dynamic Load Push (N)	800	1500
Dynamic Load Pull (N)	800	1500
Static Load Push * (N)	800	1500
Static Load Pull * (N)	800	1500
Speed at Full Load (mm/s)	20	10
Input (VDC)	24	
Stroke Length (mm)	450	
Colour	Black or Grey	
Mounting	By screws directly	
Overload Protection	Integrated in appropriate Control-Box	
Limit Switch	Build-in	
Duty Cycle	10%, max, 2min. continuous use	
Tube Material	Steel	
IP Grade	IP43	
Operating Temperature	+5°C ~+40°C	
Standard	CE	
Optional Feature	Hall sensors option (type JC35EFY)	

* The values apply when appropriate Jiecang Control Box is used, which short-circuits the motor during stop.

LIFTING COLUMNS

DIMENSIONS



PERFORMANCE



ORDER KEY EXAMPLE

JC35EF - 2 - 0.8 - 20 - 24 - 450 - 650 - 6m - B - X

- Only if special option
- Colour (G: grey, B: black)
- Plug (see page 56)
- Retracted length (mm) - see dimension L
- Stroke length (mm)
- Input voltage (VDC)
- Speed at full load (mm/s)
- Dynamic load capacity (kN)
- Segments of lifting column (2)
- Type (JC35EF, JC35EFY)

LIFTING COLUMNS

JC35EG-3

FEATURES

- With strong 3 steel tubes overlapped, the JC35EG-3 column is stable and strong enough for hospital and care beds
- With the Hall sensors built-in, JC35EG-3 columns, together with the JIECANG intelligent control box, handset, foot switch, nurse controller, siderail and other actuators, you can get a complete ICU bed movement system
- EN60601-1/UL60601-1 approval



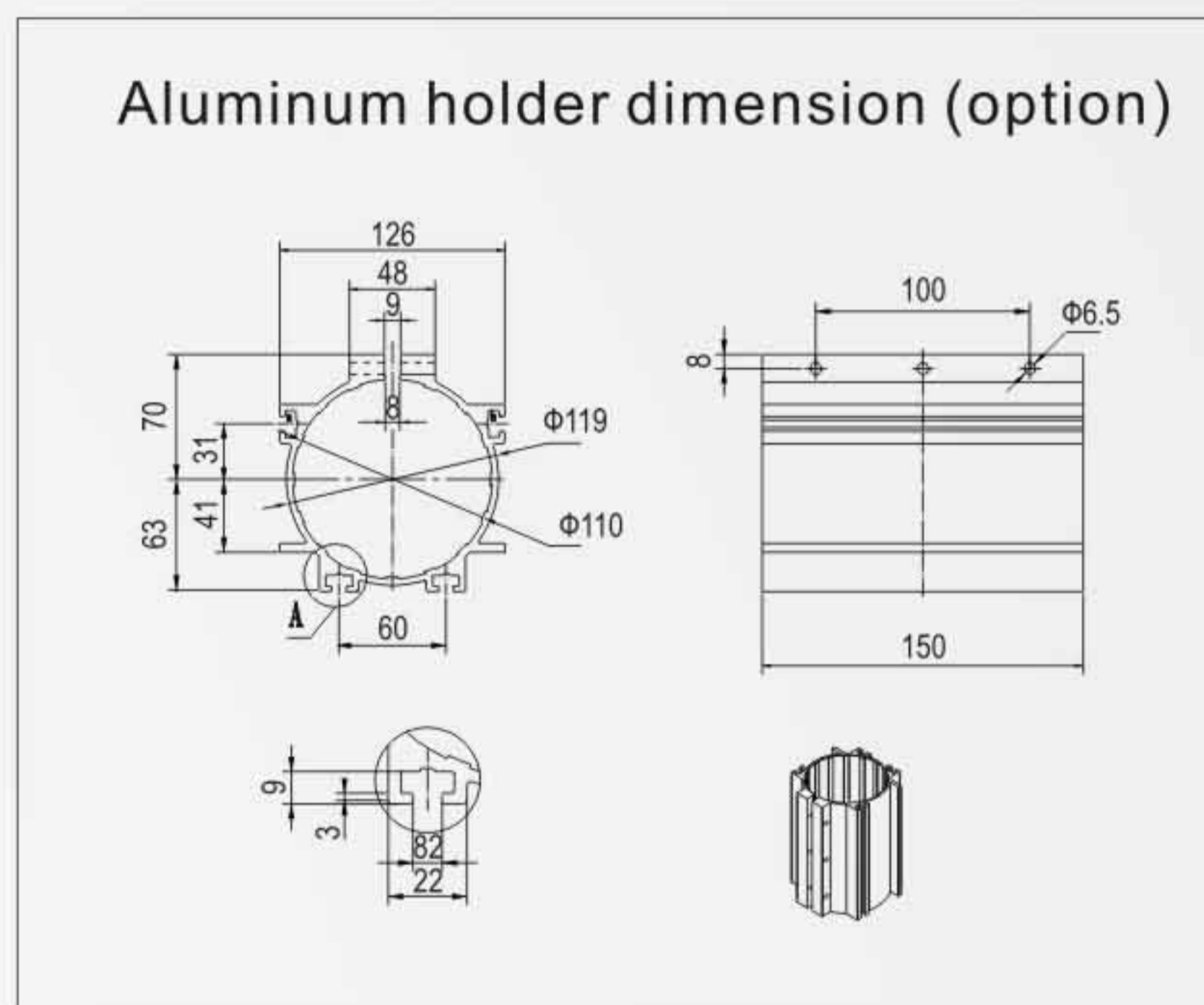
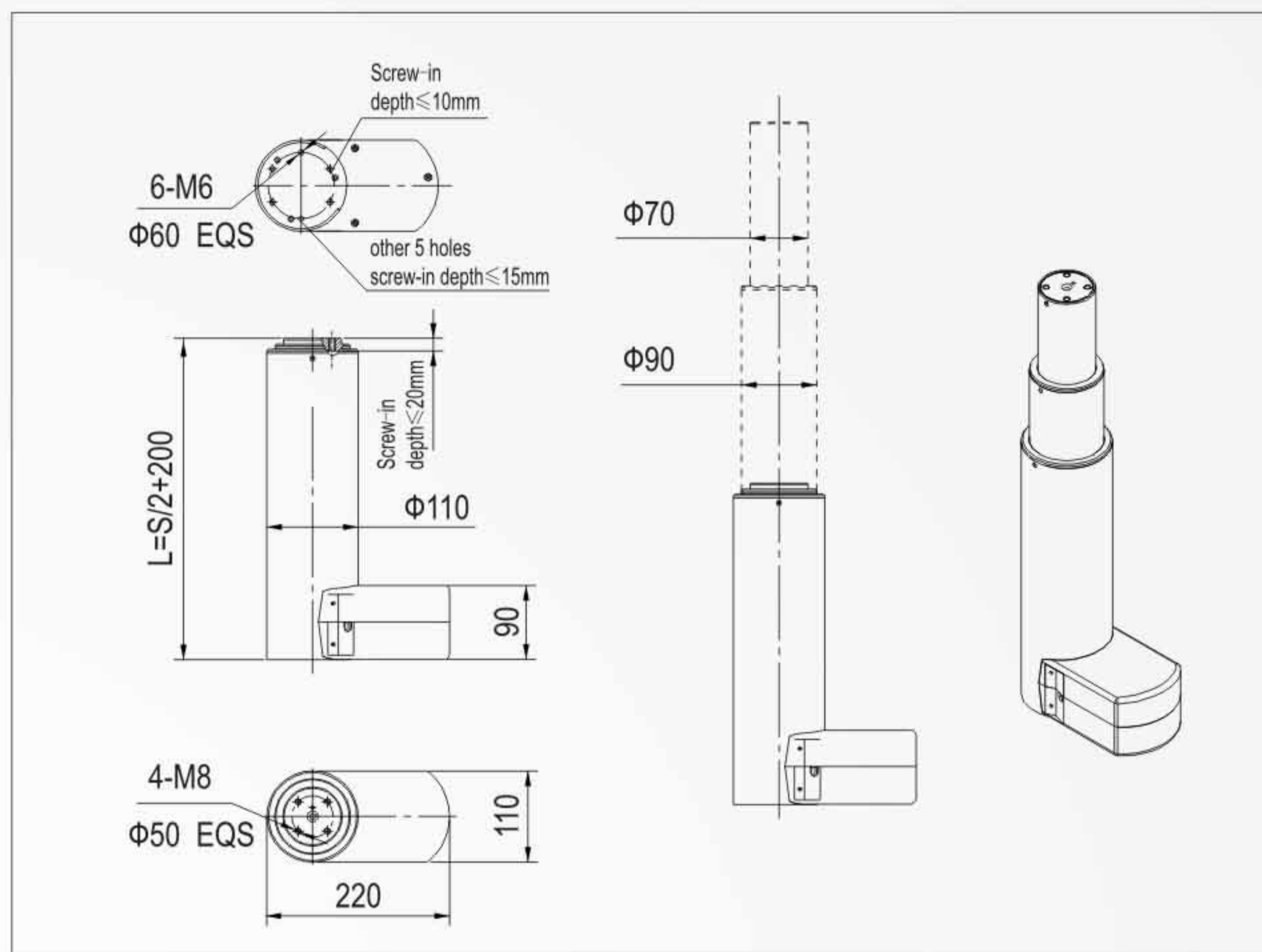
SPECIFICATIONS

Dynamic Load push	(N)	max. 2000 N as central load max. 1000 N at 400 mm lever arm length
Static Load *	(N)	2000
Speed at Full Load	(mm/s)	10
Input	(VDC)	24
Stroke Length	(mm)	400 (option)
Colour		Grey
Mounting		By screws on bottom plate or aluminum holder
Overload Protection		Integrated in appropriate Control-Box
Limit Switch		Build-in
Duty Cycle		10%, max, 2min. continuous use
Tube Material		Powder Painted Steel Tube
IP Grade		IP54
Operation Temperature		+5°C ~ 40°C
Standard		EN 60601, UL60601
Optional Feature		Hall sensor option (type JC35EGY)

* The values apply when appropriate Jiecang Control Box is used, which short-circuits the motor during stop.

LIFTING COLUMNS

DIMENSIONS

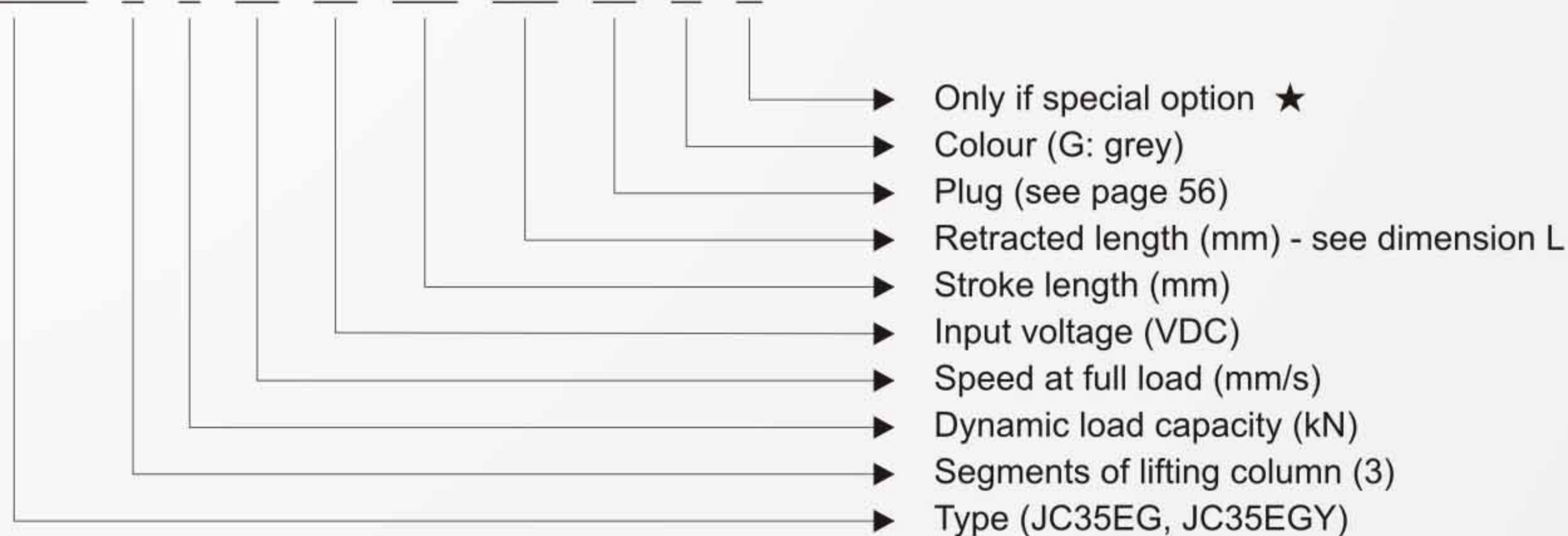


PERFORMANCE



ORDER KEY EXAMPLE

JC35EG - 3 - 2 - 10 - 24 - 400 - 400 - 6s - G - X



★
M1 mounted with holder accessory

LIFTING COLUMNS

JC35ER-2

FEATURES

- JC35ER-2 column is designed for a wide range of workstation applications, like computer workstations, work benches, assembly desks, kitchens and monitor lift
- With the Hall sensors built-in, JC35ER-2 can be operated either as single column or several columns in synchronized movement by choosing a control box with micro-processor



SPECIFICATIONS

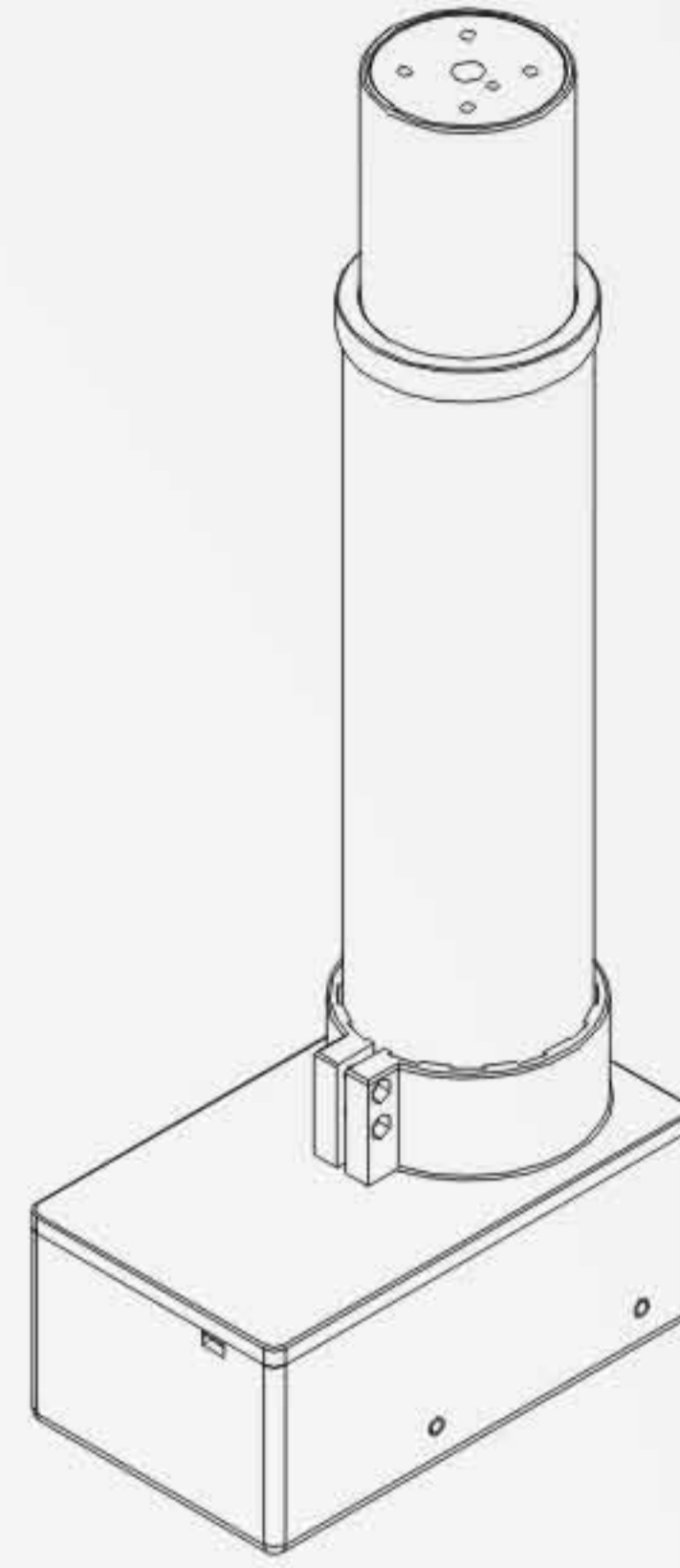
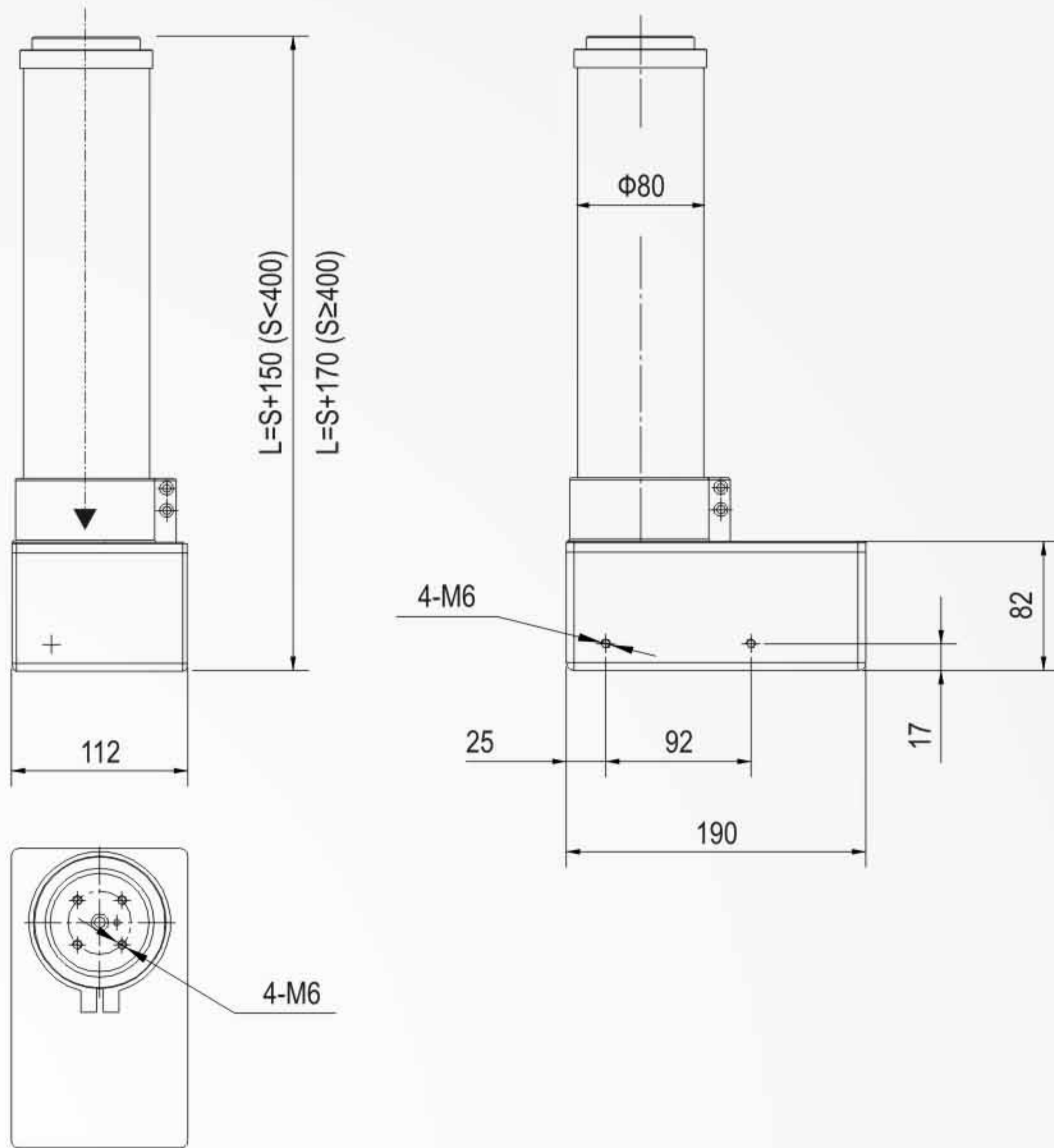
Dynamic Load Push	(N)	4000	2000
Dynamic Load Pull	(N)	4000	2000
Static Load Push *	(N)	4000	2000
Static Load Pull *	(N)	4000	2000
Input	(VDC)	24	
Speed at Full Load	(mm/s)	4	7
Input	(VDC)	12	
Speed at Full Load	(mm/s)	3.5	5
Stroke Length	(mm)	100~400 (option >400)	
Colour		Black or Grey	
Mounting		By screws on the side directly or by holder (option)	
Overload Protection		Integrated in appropriate Control-Box	
Limit Switch		Build-in	
Duty Cycle		10%, max, 2min. continuous use	
Tube Material		Aluminum tube	
IP Grade		IP43	
Operation Temperature		+5°C ~+40°C	
Standard		UL60601-1 / CE	
Optional Feature		Hall sensors option (type JC35ERY)	

* The values apply when appropriate Jiecang Control Box is used, which short-circuits the motor during stop.

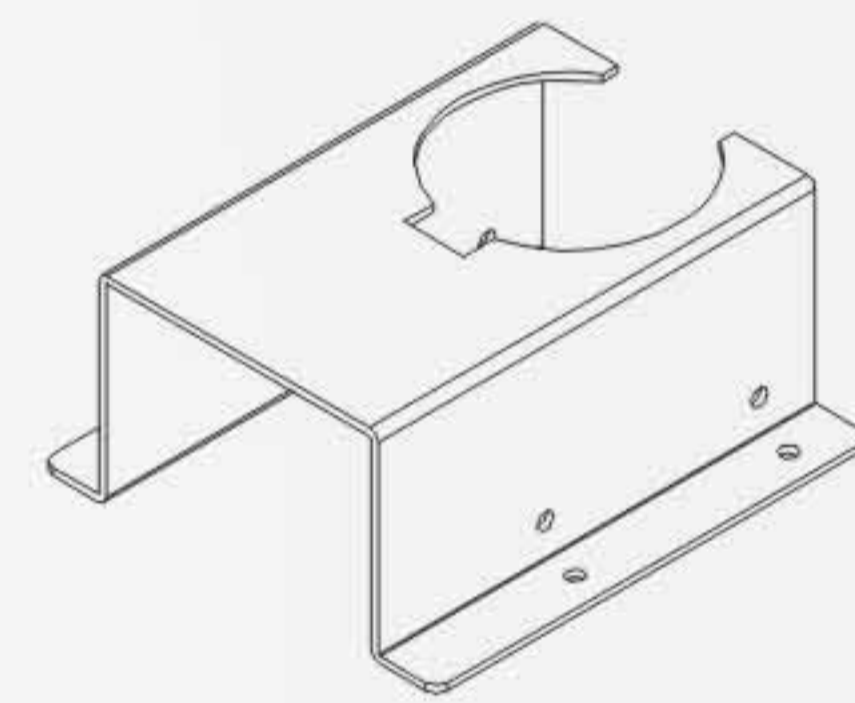
⚠ JC35ER-2 can be mounted upside down on the ceiling.
For safety, the max load should not be more than 50kgs.

LIFTING COLUMNS

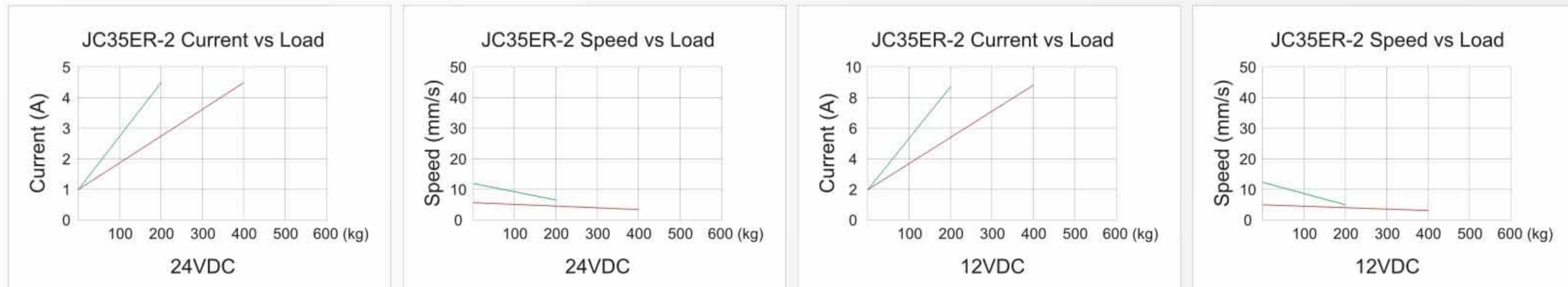
DIMENSIONS



Steel mounting holder (option)

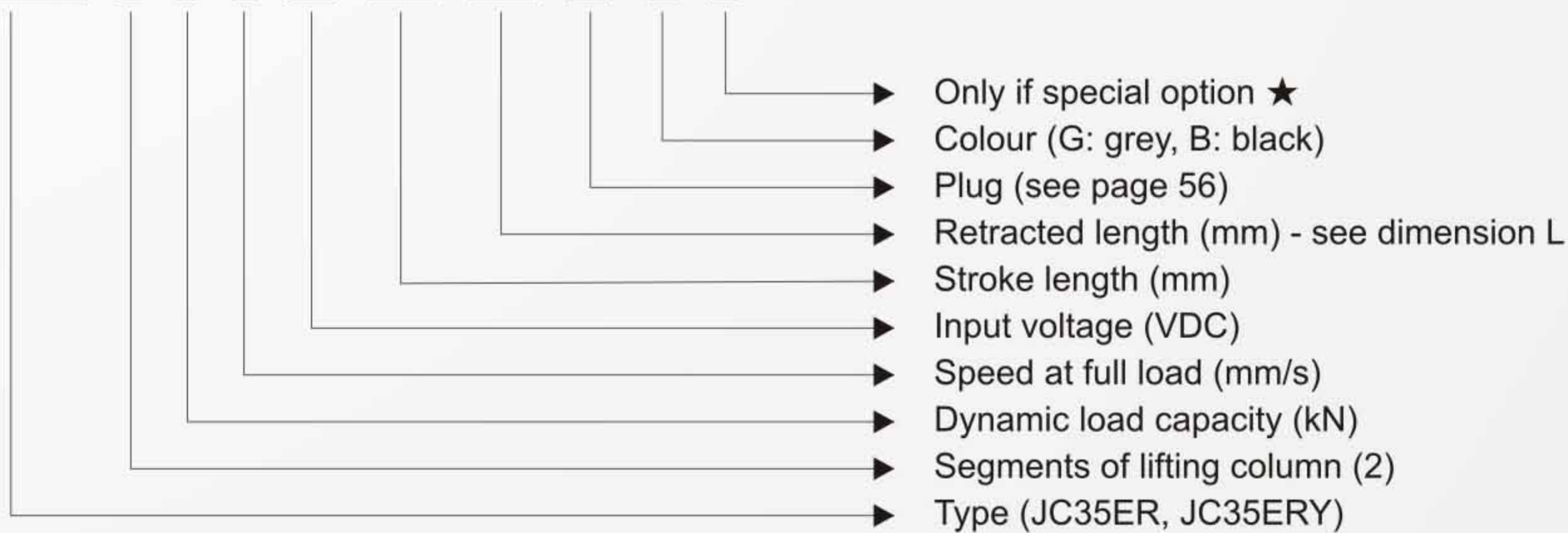


PERFORMANCE



ORDER KEY EXAMPLE

JC35ER - 2 - 2 - 7 - 24 - 300 - 450 - 4s - G - X



★
M1 mounted with holder accessory

LIFTING COLUMNS

JC35ER-3

FEATURES

- JC35ER-3 column is designed for a wide range of workstation applications, like computer workstations, work benches, assembly desks, kitchens or TV lift
- 3 segment columns have smaller installation dimensions and higher speed
- With the Hall sensors built-in, JC35ER-3 can be operated either as single column or several columns in synchronized movement by choosing a control box with micro-processor



SPECIFICATIONS

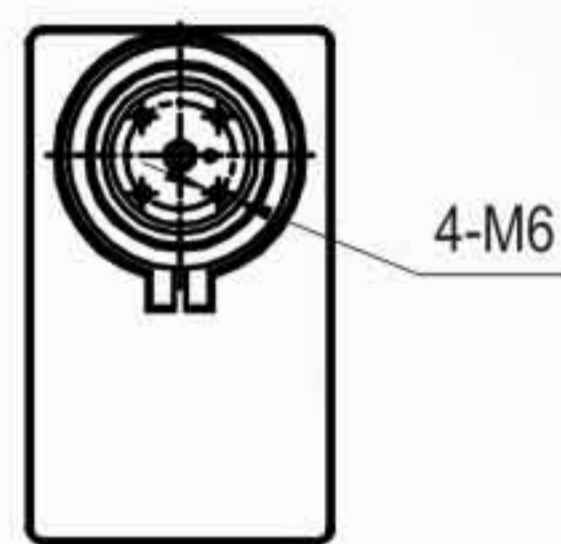
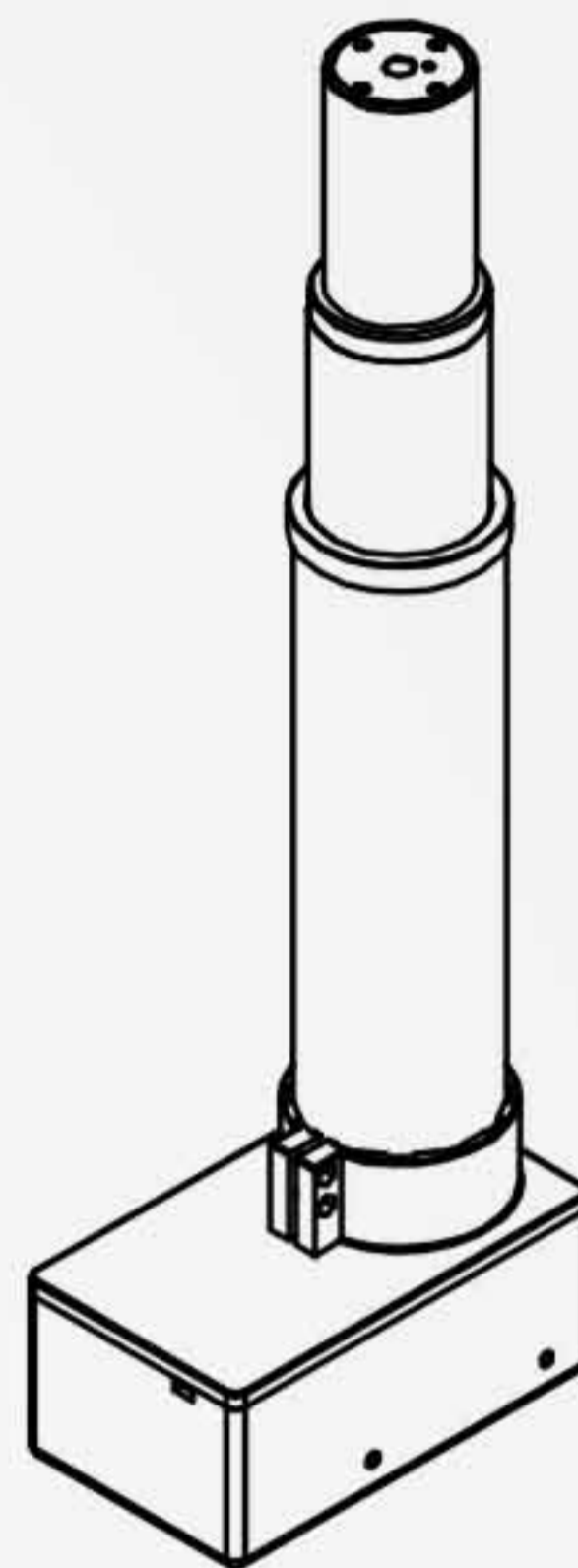
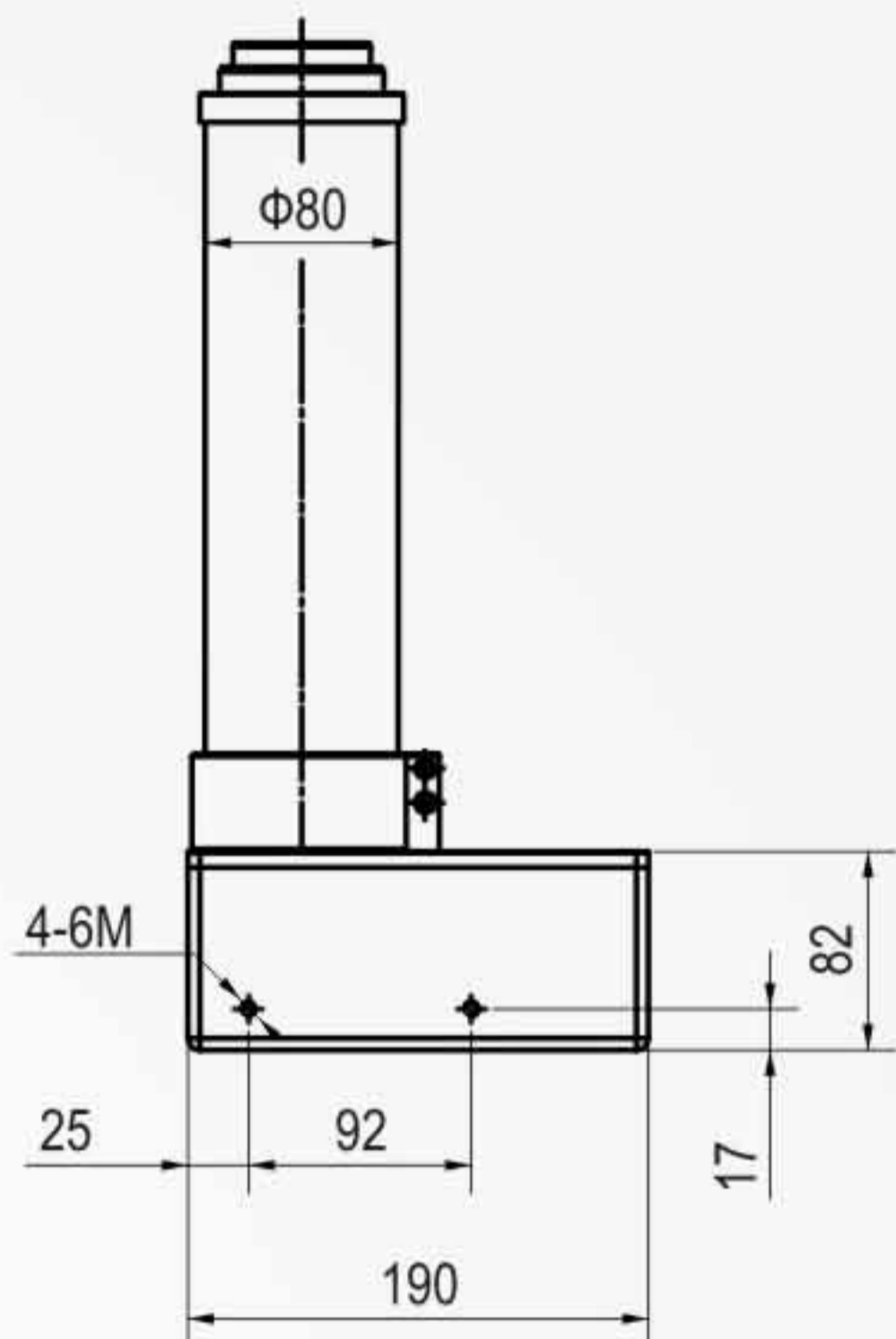
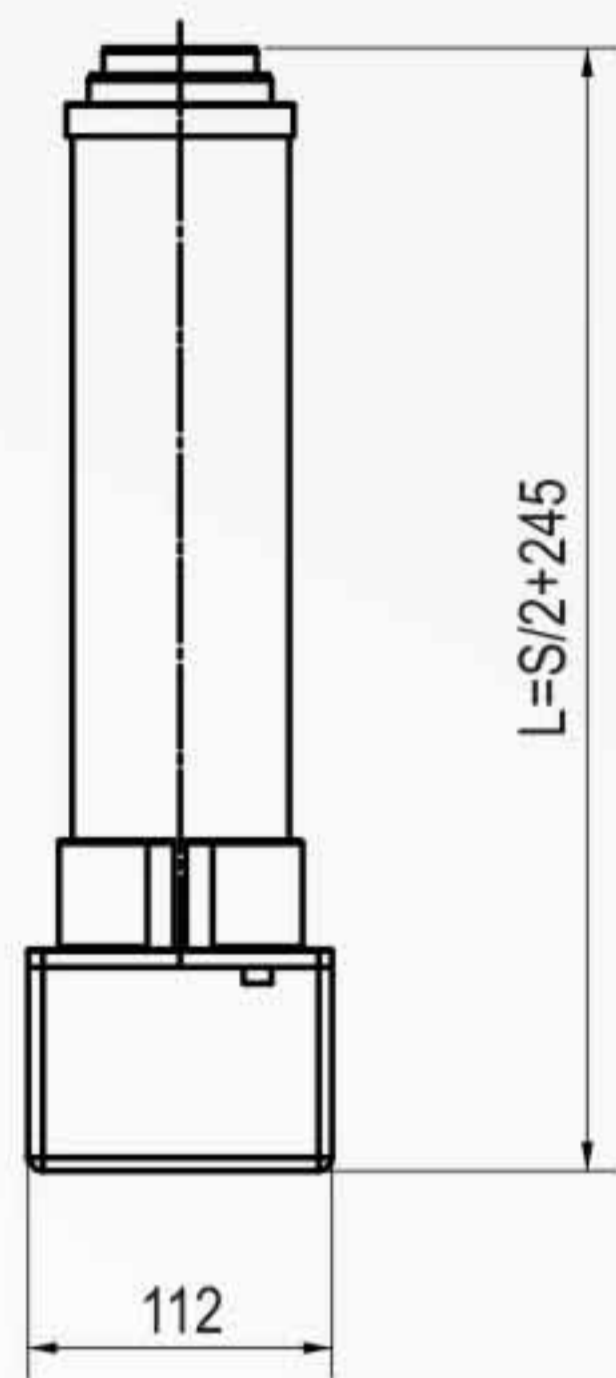
Dynamic Load Push	(N)	1500
Dynamic Load Pull	(N)	1500
Static Load Push *	(N)	1500
Static Load Pull *	(N)	1500
Input	(VDC)	24
Speed at Full Load	(mm/s)	10
Input	(VDC)	12
Speed at Full Load	(mm/s)	8
Stroke Length	(mm)	100~400 (option >400)
Colour		Black or Grey
Mounting		By screws on the side directly or by holder (option)
Overload Protection		Integrated in appropriate Control-Box
Limit Switch		Build-in
Duty Cycle		10%, max, 2min. continuous use
Tube Material		Aluminum tube
IP Grade		IP43
Operation Temperature		+5°C ~ +40°C
Standard		UL60601-1 / CE
Optional Feature		Hall sensors option (type JC35ERY)

* The values apply when appropriate Jiecang Control Box is used, which short-circuits the motor during stop.

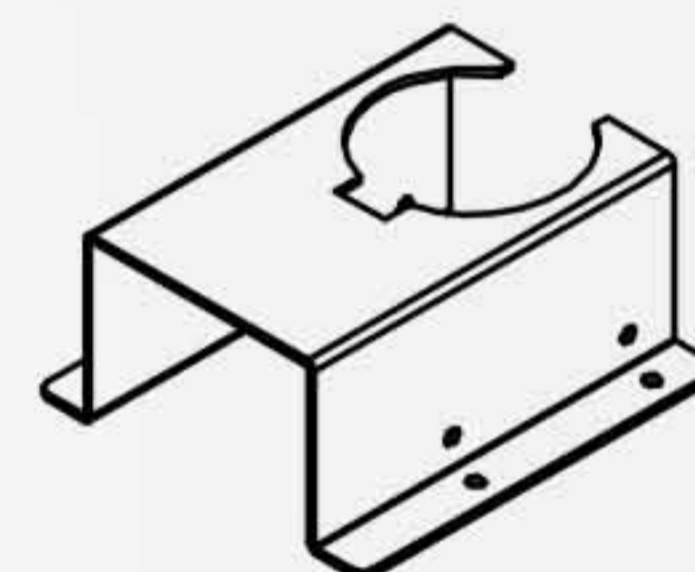
⚠ JC35ER-3 can be mounted upside down on the ceiling.
For safety, the max load should not be more than 50kgs.

LIFTING COLUMNS

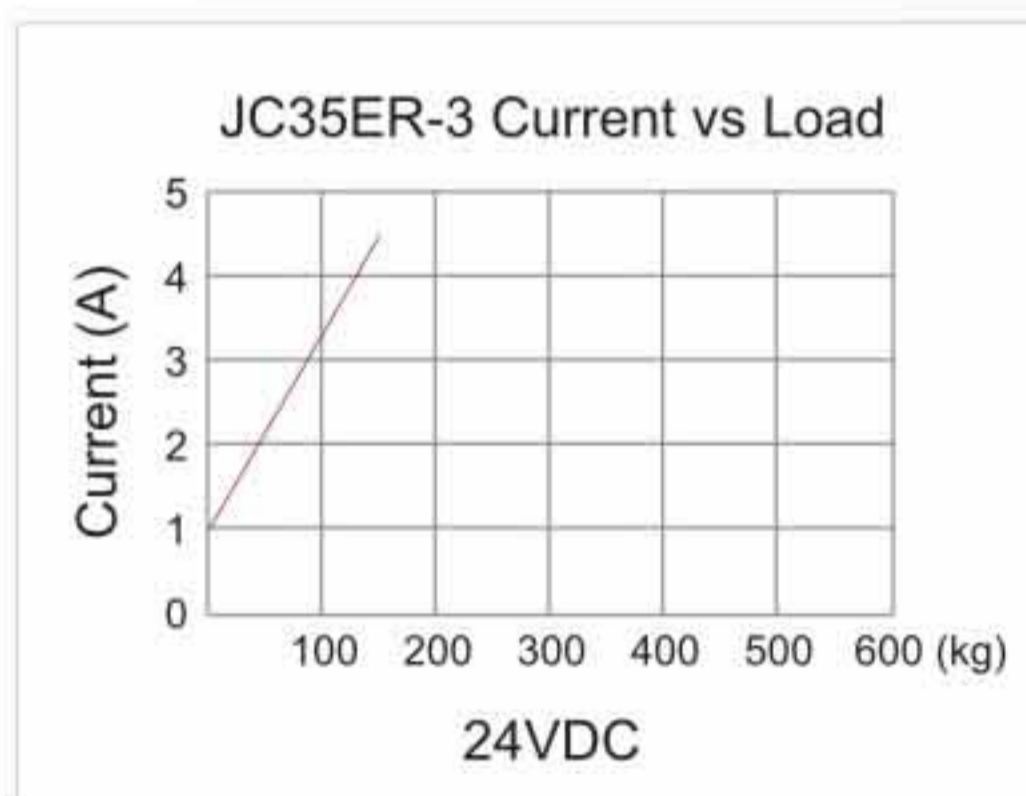
DIMENSIONS



Steel mounting holder (option)

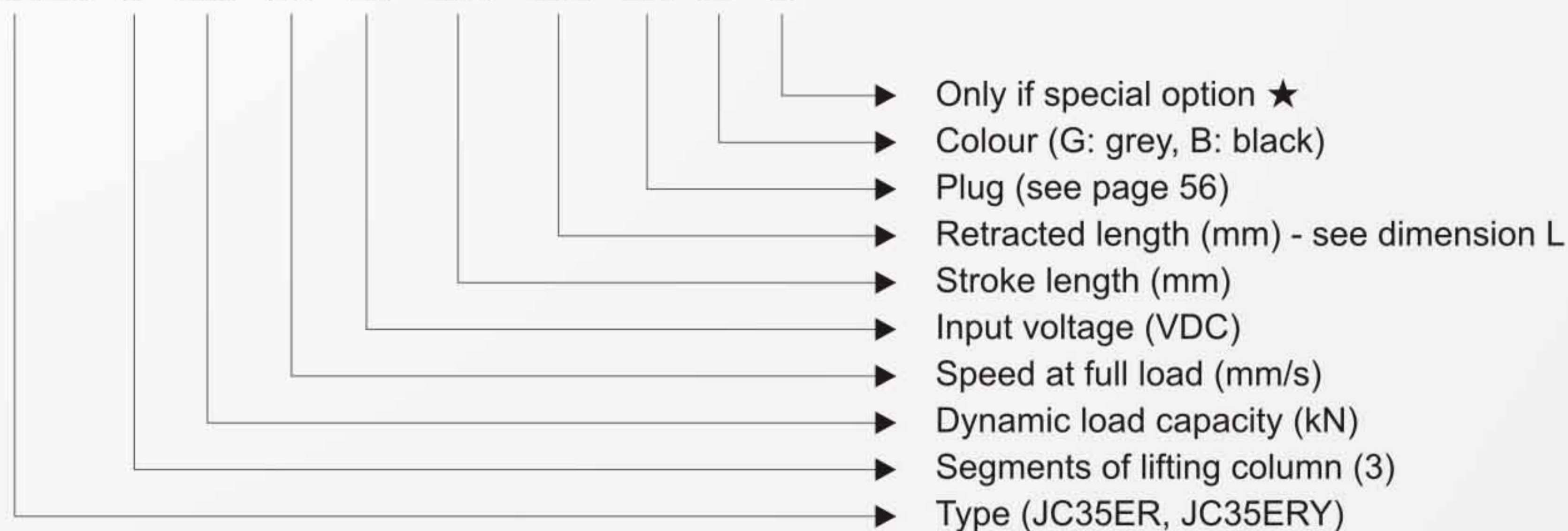


PERFORMANCE



ORDER KEY EXAMPLE

JC35ER - 3 - 1.5 - 20 - 24 - 400 - 445 - 4s - G - X



★
M1 mounted with holder accessory

LIFTING COLUMNS

JC35ES-2

FEATURES

- JC35ES-2 column is designed for a wide range of workstation applications, like computer workstations, work benches, assembly desks or kitchens
- With the Hall sensors built-in, JC35ES-2 can be operated either as single column or several columns in synchronized movement by choosing a control box with micro-processor



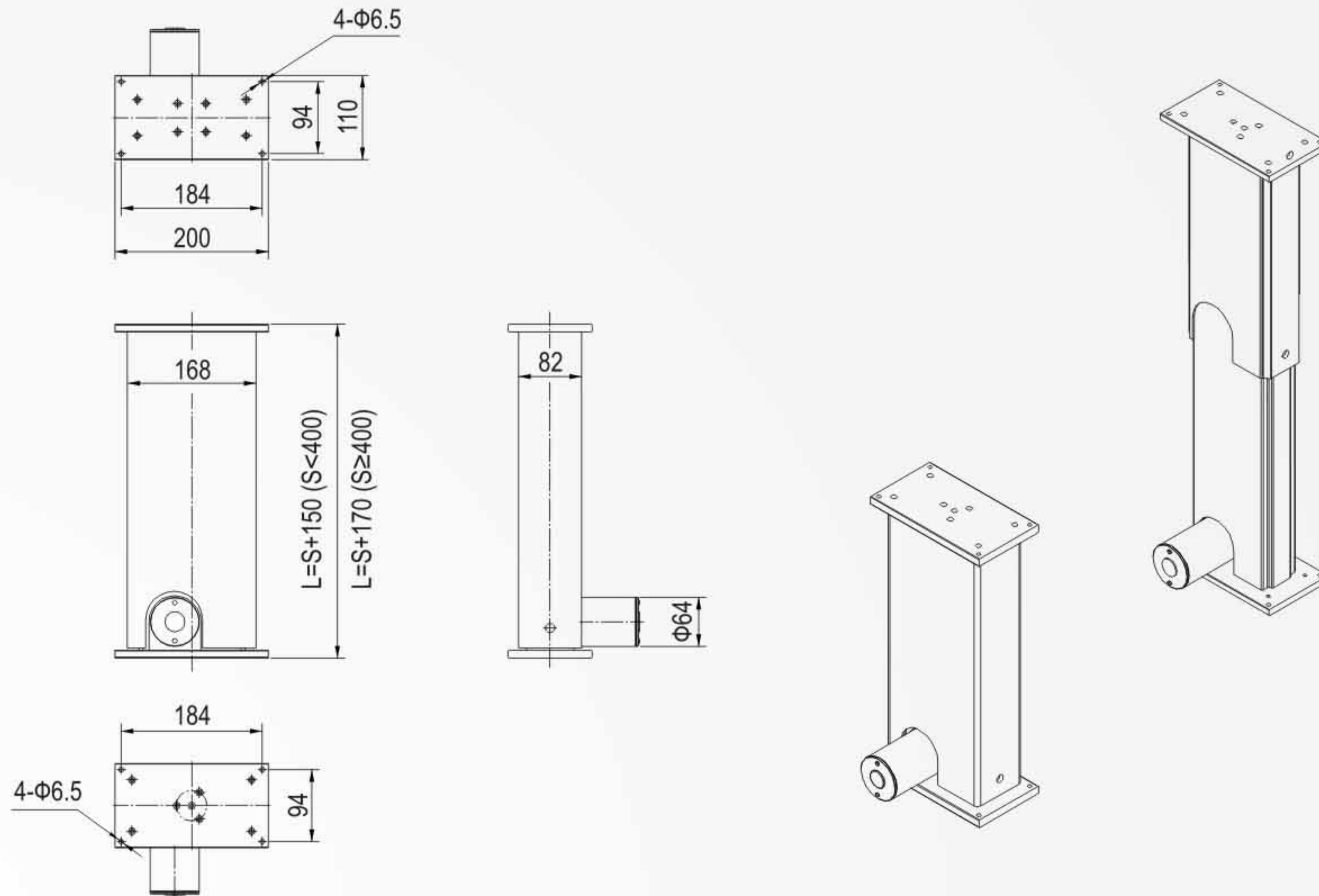
SPECIFICATIONS

Dynamic Load Push	(N)	4000	2000
Dynamic Load Pull	(N)	4000	2000
Static Load Push *	(N)	4000	2000
Static Load Pull *	(N)	4000	2000
Input	(VDC)	24	
Speed at Full Load	(mm/s)	4	7
Input	(VDC)	12	
Speed at Full Load	(mm/s)	3.5	5
Stroke Length	(mm)	100~400 (option >400)	
Colour		Black or Grey	
Mounting		By screws on the top and bottom plate (option)	
Overload Protection		Integrated in appropriate Control-Box	
Limit Switch		Build-in	
Duty Cycle		10%, max, 2min. continuous use	
Tube Material		Aluminum tube	
IP Grade		IP43	
Operation Temperature		+5°C ~ +40°C	
Standard		UL60601-1 / CE	
Optional Feature		Hall sensors option (type JC35ESY)	

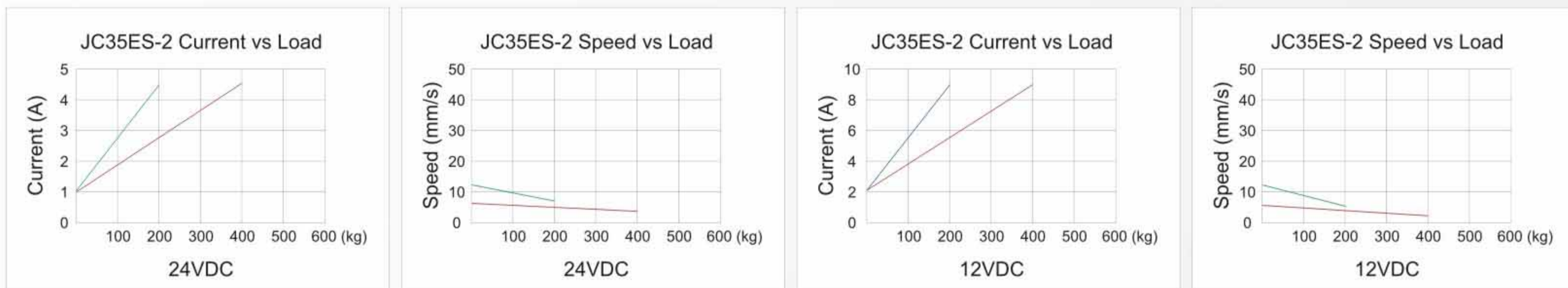
* The values apply when appropriate Jiecang Control Box is used, which short-circuits the motor during stop.

LIFTING COLUMNS

DIMENSIONS

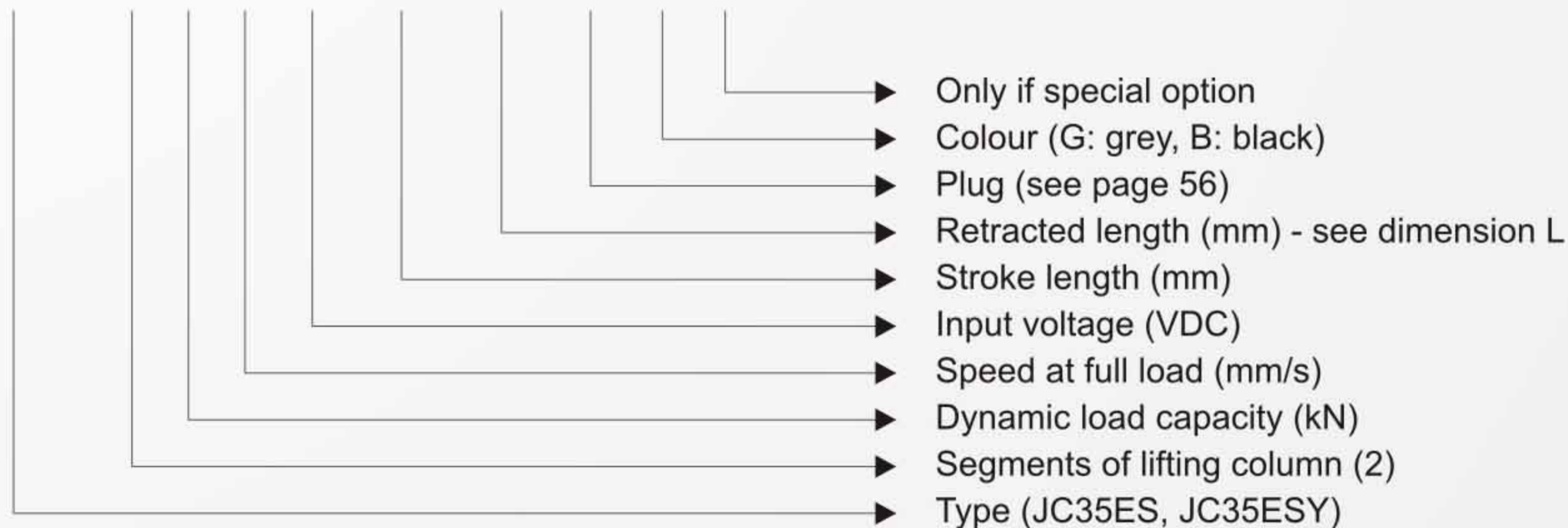


PERFORMANCE



ORDER KEY EXAMPLE

JC35ES - 2 - 4 - 4 - 24 - 200 - 350 - 4s - G - X



LIFTING COLUMNS

JC35ES-3

FEATURES

- JC35ES-3 column is designed for a wide range of workstation applications, like computer workstations, work benches, assembly desks, kitchens or TV lift
- 3 segment columns have smaller installation dimensions and higher speed
- With the Hall sensors built-in, JC35ES-3 can be operated either as single column or several columns in synchronized movement by choosing a control box with micro-processor



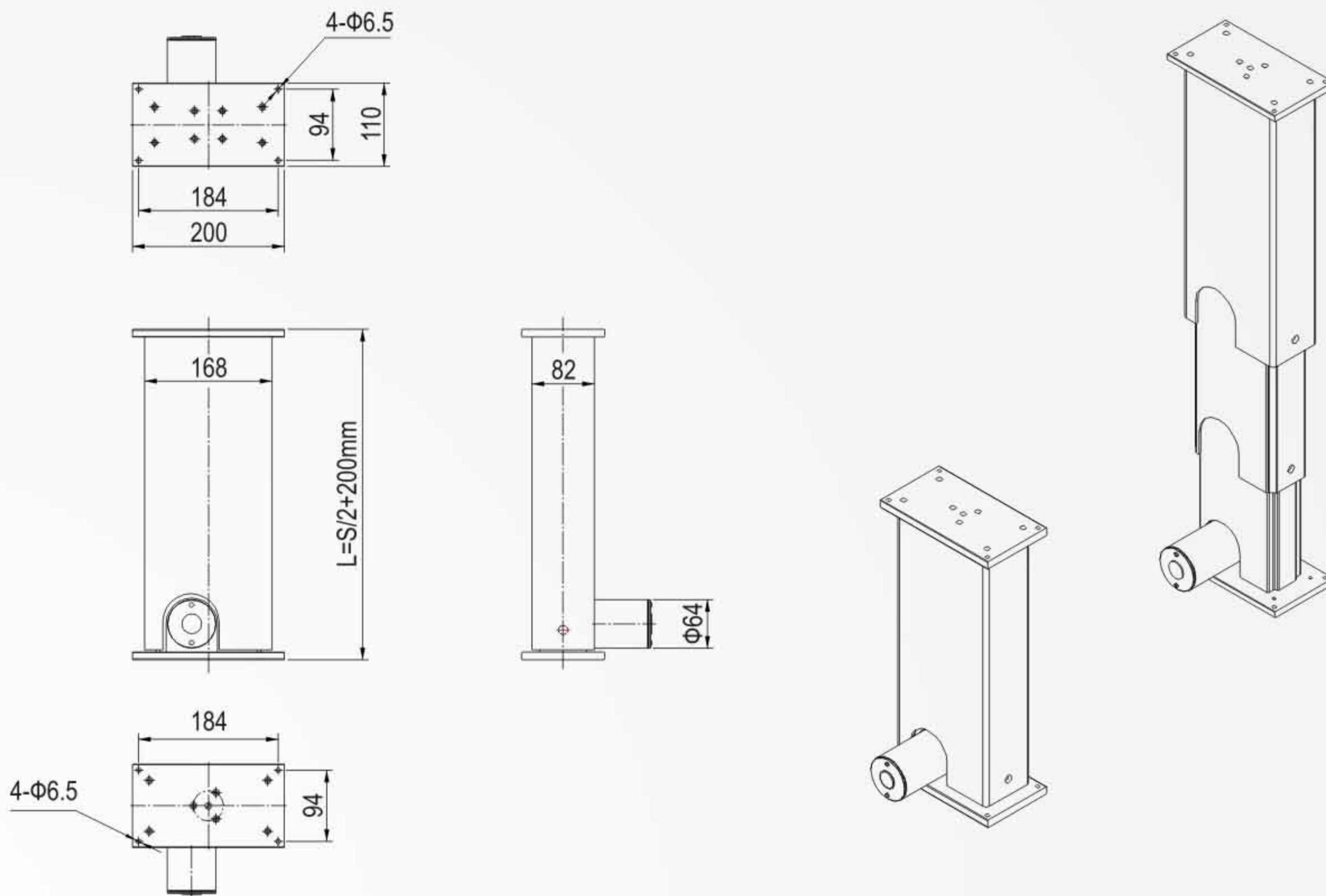
SPECIFICATIONS

Dynamic Load Push	(N)	1500
Dynamic Load Pull	(N)	1500
Static Load Push *	(N)	1500
Static Load Pull *	(N)	1500
Input	(VDC)	24
Speed at Full Load	(mm/s)	10
Input	(VDC)	12
Speed at Full Load	(mm/s)	7
Stroke Length	(mm)	100~400 (option >400)
Colour		Black or Grey
Mounting		By screws on the top and bottom plate (option)
Overload Protection		Integrated in appropriate Control-Box
Limit Switch		Build-in
Duty Cycle		S2-10min
Tube Material		Aluminum tube
IP Grade		IP43
Operation Temperature		+5°C ~ +40°C
Standard		EN60601-1 / UL60601-1
Optional Feature		Hall sensors option (type JC35ESY)

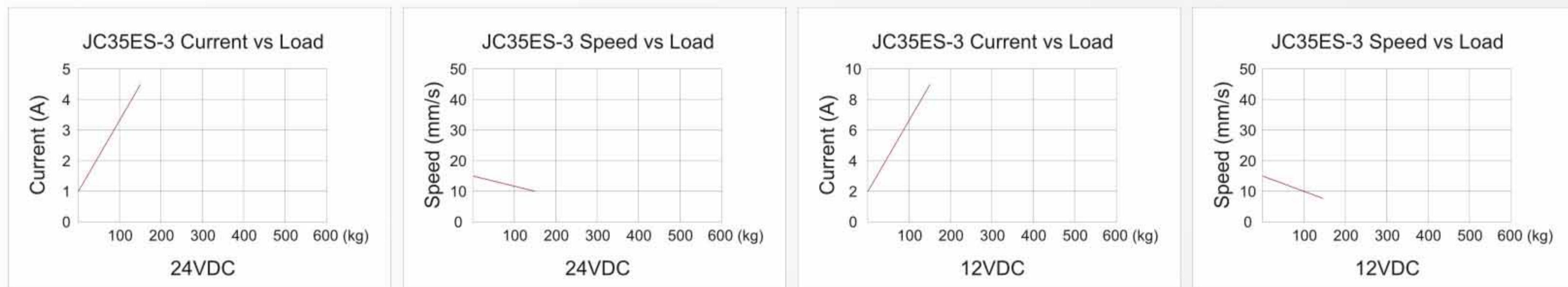
* The values apply when appropriate Jiecang Control Box is used, which short-circuits the motor during stop.

LIFTING COLUMNS

DIMENSIONS

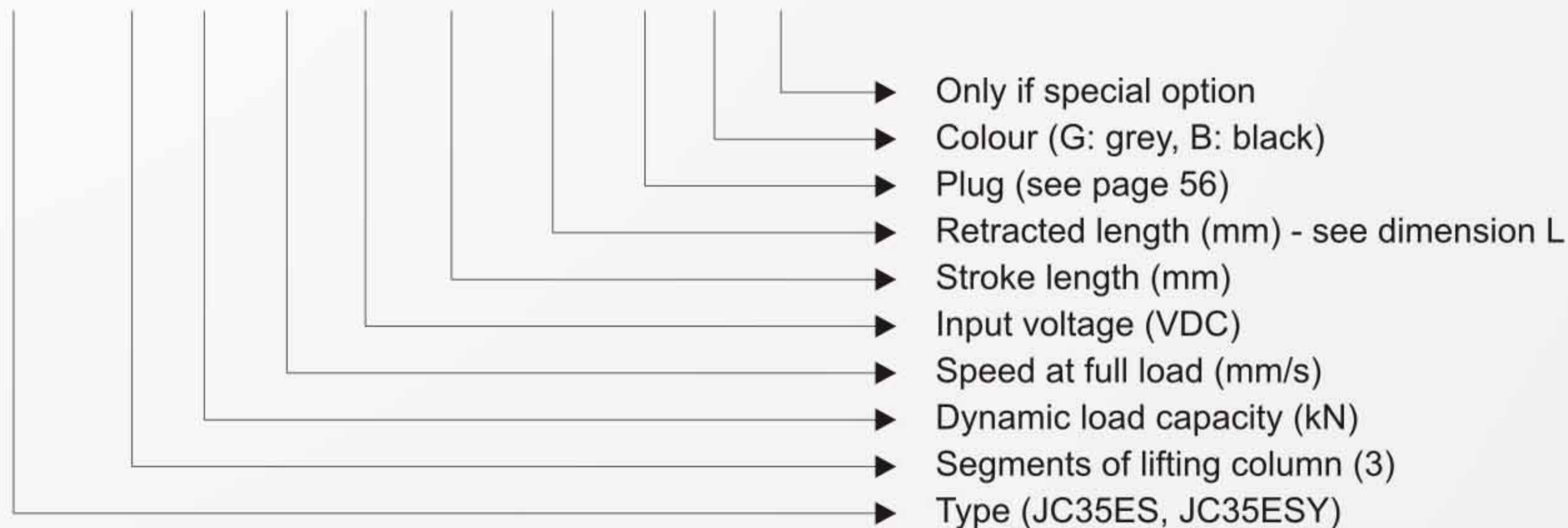


PERFORMANCE



ORDER KEY EXAMPLE

JC35ES - 3 - 1.5 - 10 - 24 - 400 - 400 - 4s - G - X



ADJUSTABLE TABLES

JC35TA

FEATURES

- JC35TA is designed for single column office table which is adjustable
- Table board is not included



SMPS



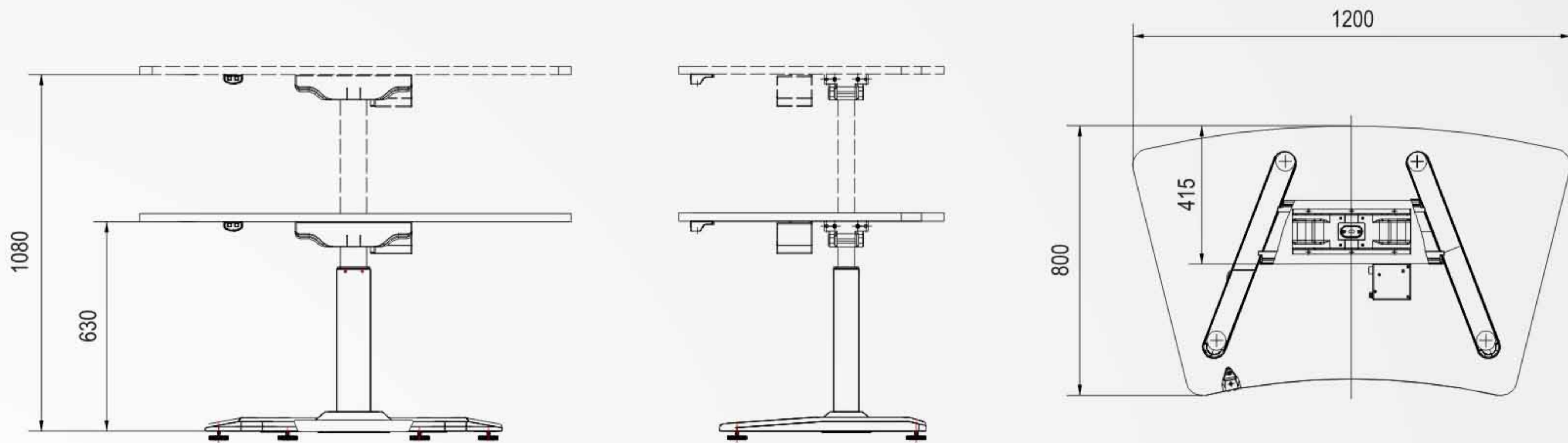
Hand control

SPECIFICATIONS

Segments		2 segments
Dynamic Load Push	(N)	800
Static Load	(N)	1000
Speed at Full Load	(mm/s)	20
Input	(VAC)	110 or 230
Lowest position	(mm)	630
Highest position	(mm)	1080
Colour		Black
Overload Protection		Yes
Limit Switch		Build-in
Duty Cycle		S2-10min
Tube Material		Powder Painted Steel Tube
IP Grade		IP20
Operation Temperature		+5°C ~ +40°C
Standard		CE
Handset		JCHT35H

ADJUSTABLE TABLES

DIMENSIONS



ORDER KEY EXAMPLE

JC35TA - 2 - 0.8 - 20 - 230 - 630 - 1080 - EF - B - X

- Only if special option
- Colour (G: grey, B: black)
- Power plug (see page 56)
- Highest position (mm)
- Lowest position (mm)
- Input voltage (VAC)
- Speed at full load (mm/s)
- Dynamic load capacity (kN)
- Column Segments
- Type (JC35TA)

ADJUSTABLE TABLES

JC35TS

FEATURES

- 2-column adjustable office table
- Based on lifting column JC36D4
- Table plate is not included



Control box



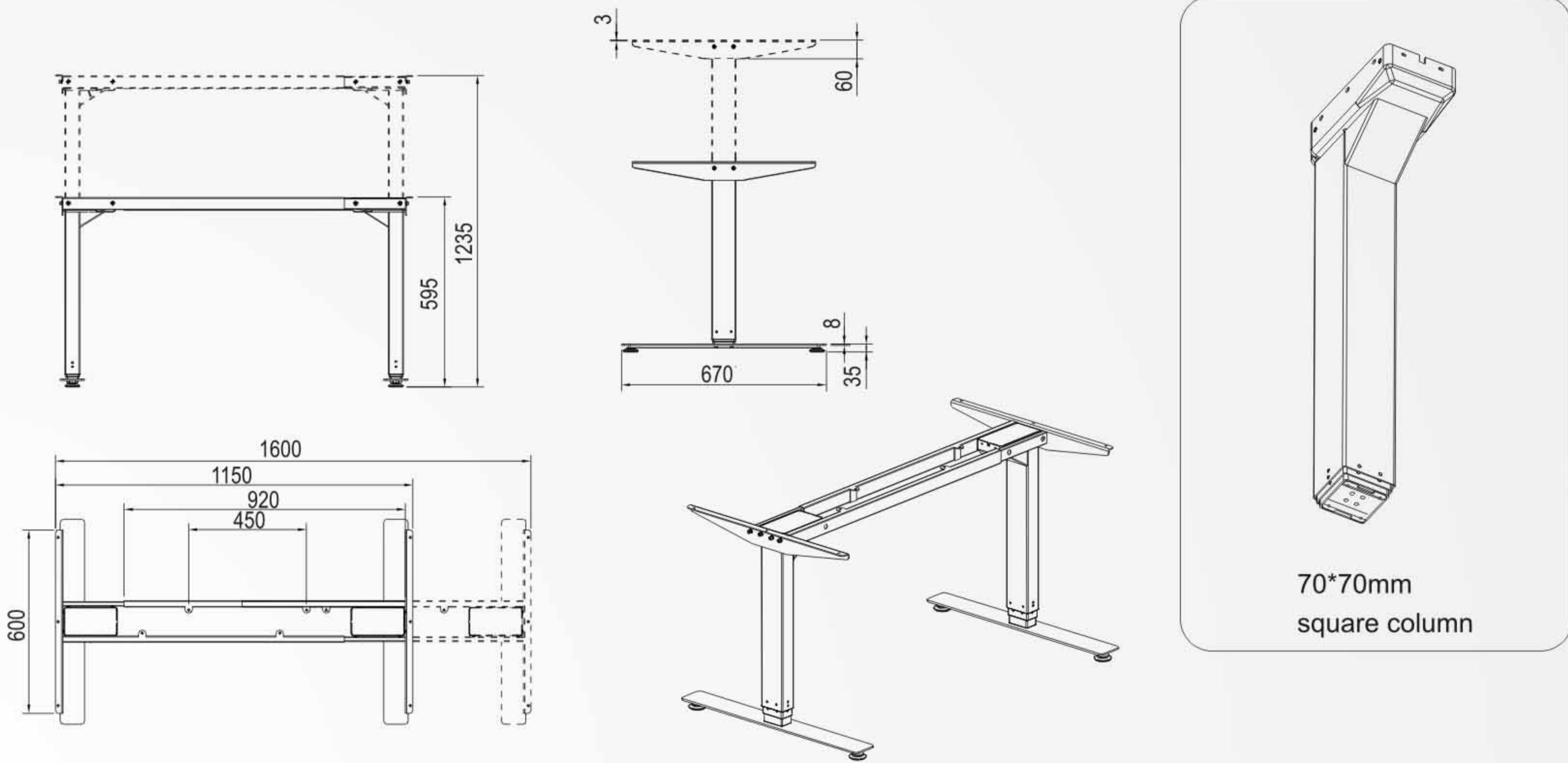
Hand control

SPECIFICATIONS

Column Segments		3 segments column
Dynamic Load Push	(N)	1000
Static Load	(N)	1000
Speed at Full Load	(mm/s)	35
Input	(VAC)	110 or 230
Lowest position	(mm)	595
Highest position	(mm)	1235
Colour		Black or Grey (option)
Table board dimension (mm)		Recommend (1350 ~ 1800)*800*25
Overload Protection		Yes
Duty Cycle		S2-10min
Tube Material		Powder Painted Steel Tube
IP Grade		IP20
Operating Temperature		+5°C ~ +40°C
Standard		CE
Handset		JCHT35 or JCHT35J (option)

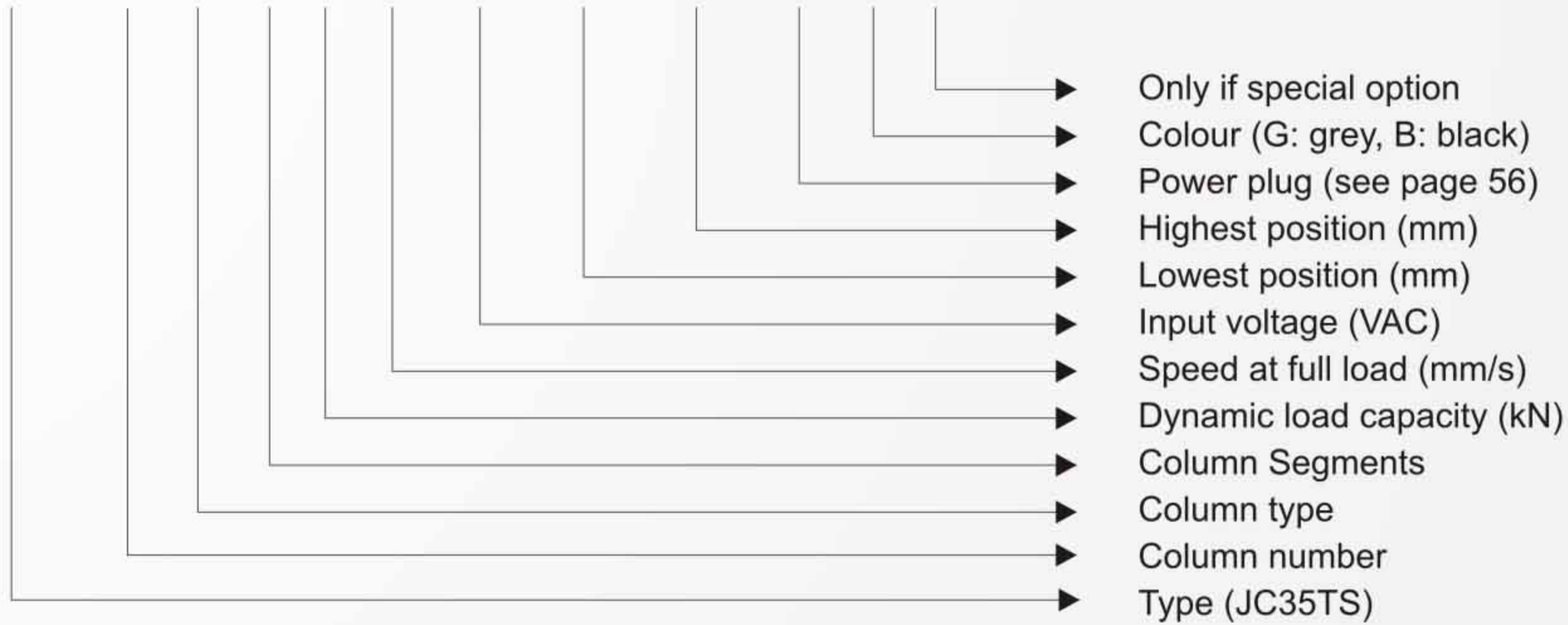
ADJUSTABLE TABLES

DIMENSIONS



ORDER KEY EXAMPLE

JC35TS - 2 - D4 - 3 - 1 - 35 - 230 - 595 - 1235 - EF - B - X



ADJUSTABLE TABLES

JC35TD

FEATURES

- 2-column adjustable office table
- Based on lifting column JC35ED
- Table plate is not included



Control box



Hand control

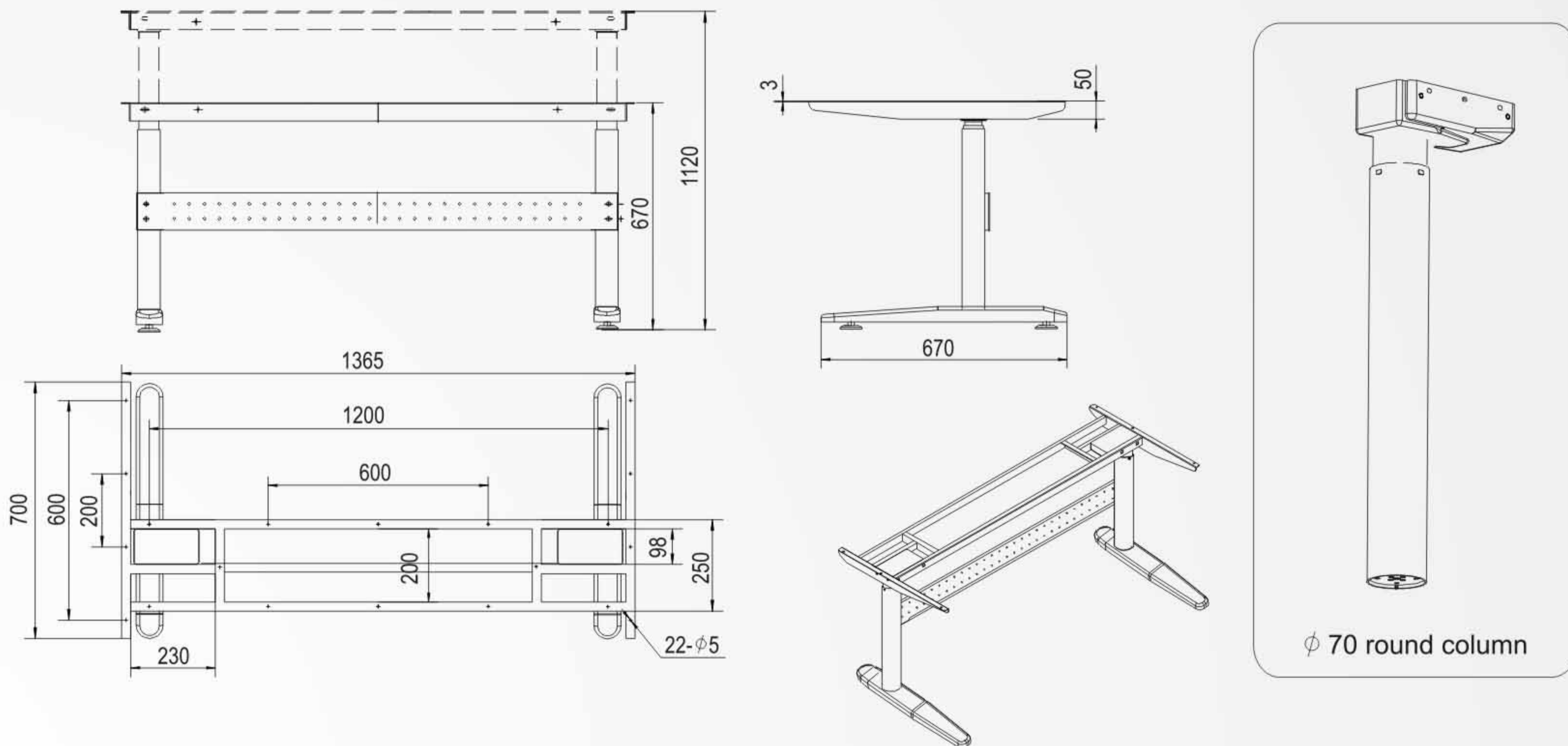


SPECIFICATIONS

Column Segments		2 segments column
Dynamic Load Push (N)		1500
Static Load (N)		1500
Speed at Full Load (mm/s)		20
Input (VAC)		110 or 230
Lowest position (mm)		670
Highest position (mm)		1120
Colour		Black or Grey (option)
Table board dimension (mm)		Recommend 1600*800*25
Overload Protection		Yes
Duty Cycle		S2-10min
Tube Material		Powder Painted Steel Tube
IP Grade		IP20
Operating Temperature		+5°C ~ +40°C
Standard		CE
Handset		JCHT35 or JCHT35J (option)

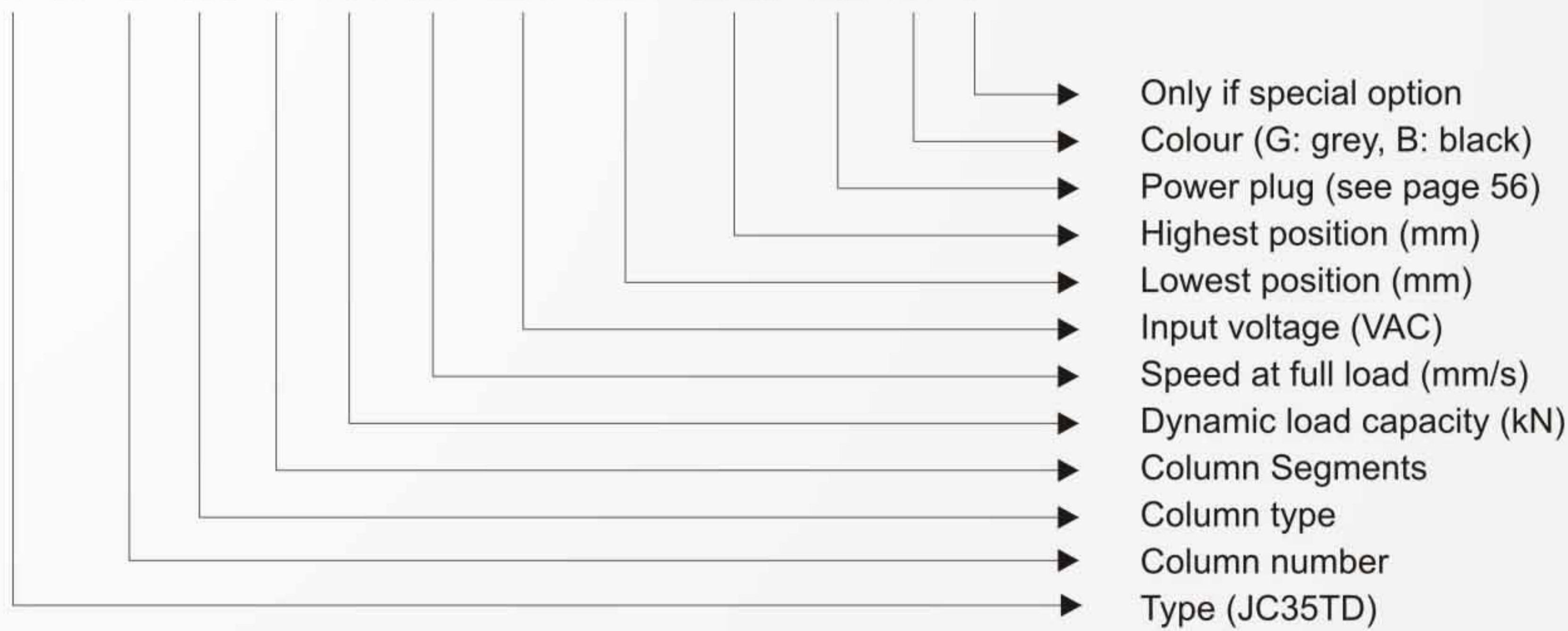
ADJUSTABLE TABLES

DIMENSIONS



ORDER KEY EXAMPLE

JC35TD - 2 - ED - 2 - 1.5 - 20 - 230 - 670 - 1120 - EF - B - X



- Only if special option
- Colour (G: grey, B: black)
- Power plug (see page 56)
- Highest position (mm)
- Lowest position (mm)
- Input voltage (VAC)
- Speed at full load (mm/s)
- Dynamic load capacity (kN)
- Column Segments
- Column type
- Column number
- Type (JC35TD)

TV LIFTS

JC35VT

FEATURES

- JC35VT TV lift is designed for lifting TV set with wide range dimensions, from 25" to 50"



Control box



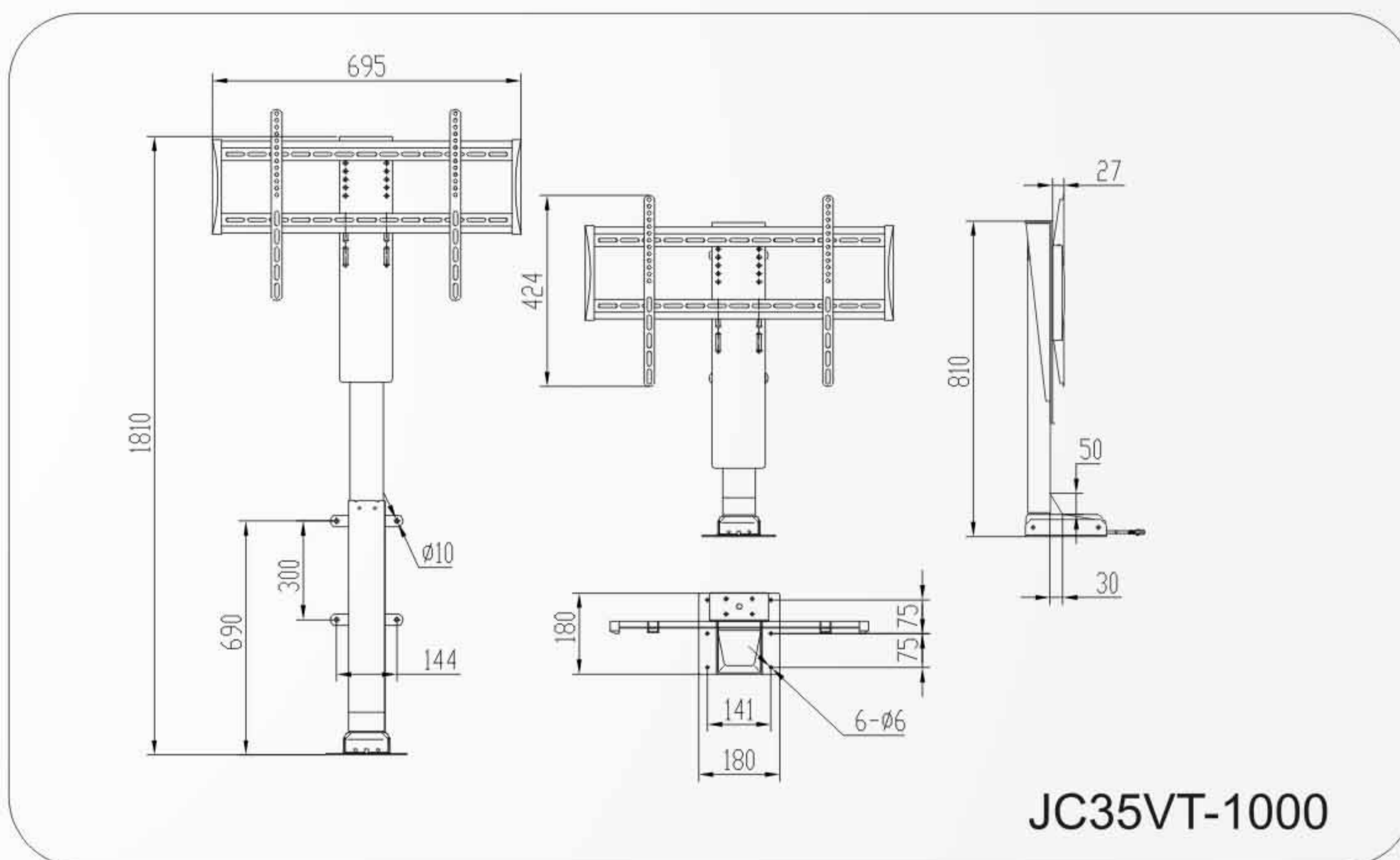
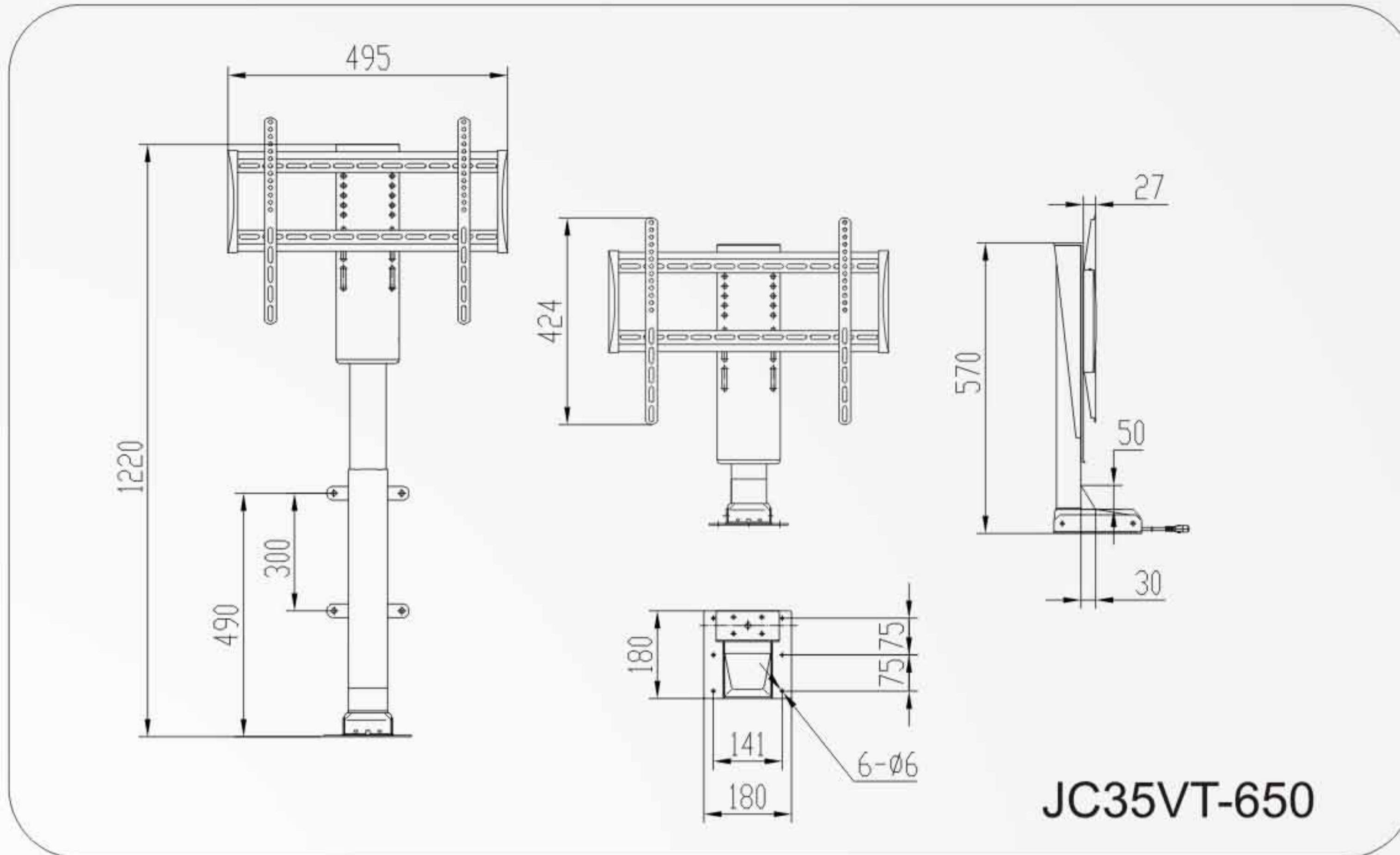
Remote



SPECIFICATIONS

Type	JC35VT-650	JC35VT-1000
Dynamic Load Push (N)	600	
Static Load (N)	700	
Speed at Full Load (mm/s)	25	
Input (VAC)	110 or 230	
Stroke length (mm)	650	1000
Retracted length (mm)	570	810
Colour	Black	
Overload Protection	Yes	
Duty Cycle	10%, max 2min. continuous use	
Tube Material	Powder Painted Steel Tube	
IP Grade	IP20	
Operating Temperature	+5°C ~ +40°C	
Standard	CE/UL	
Remote	RF remote JCHR35E	

DIMENSIONS



ORDER KEY EXAMPLE

JC35VT - 0.6 - 25 - 230 - 650 - 570 - EF - B - X

- Type (JC35VT)
- Dynamic load capacity (kN)
- Speed at full load (mm/s)
- Input voltage (VAC)
- Stroke length (mm)
- Retracted length (mm)
- Power plug (see page 56)
- Colour (B: black)
- Only if special option

CONTROL BOXES

JCR35

FEATURES

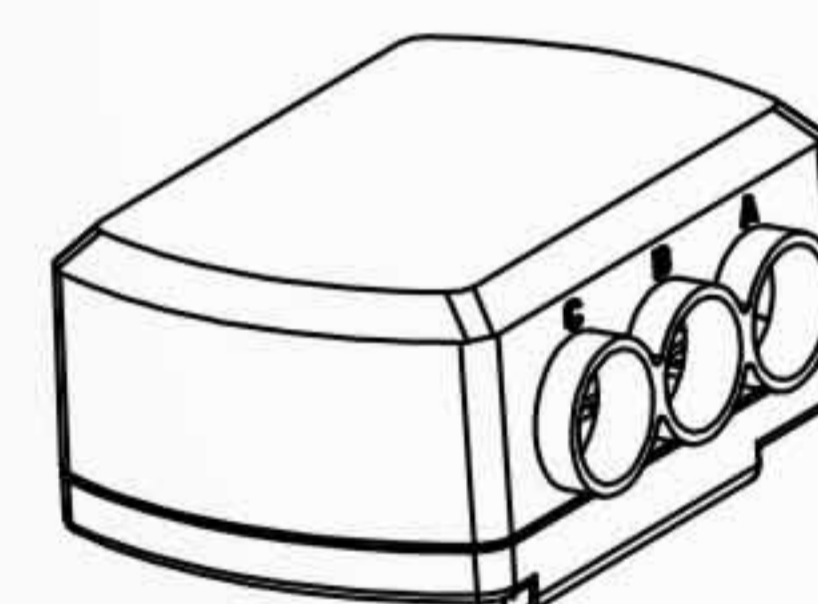
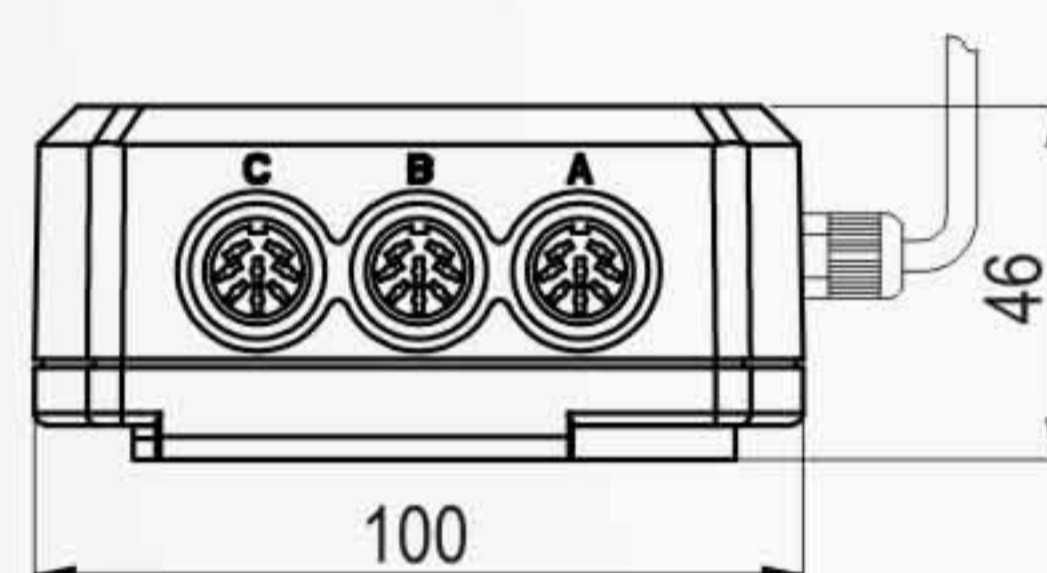
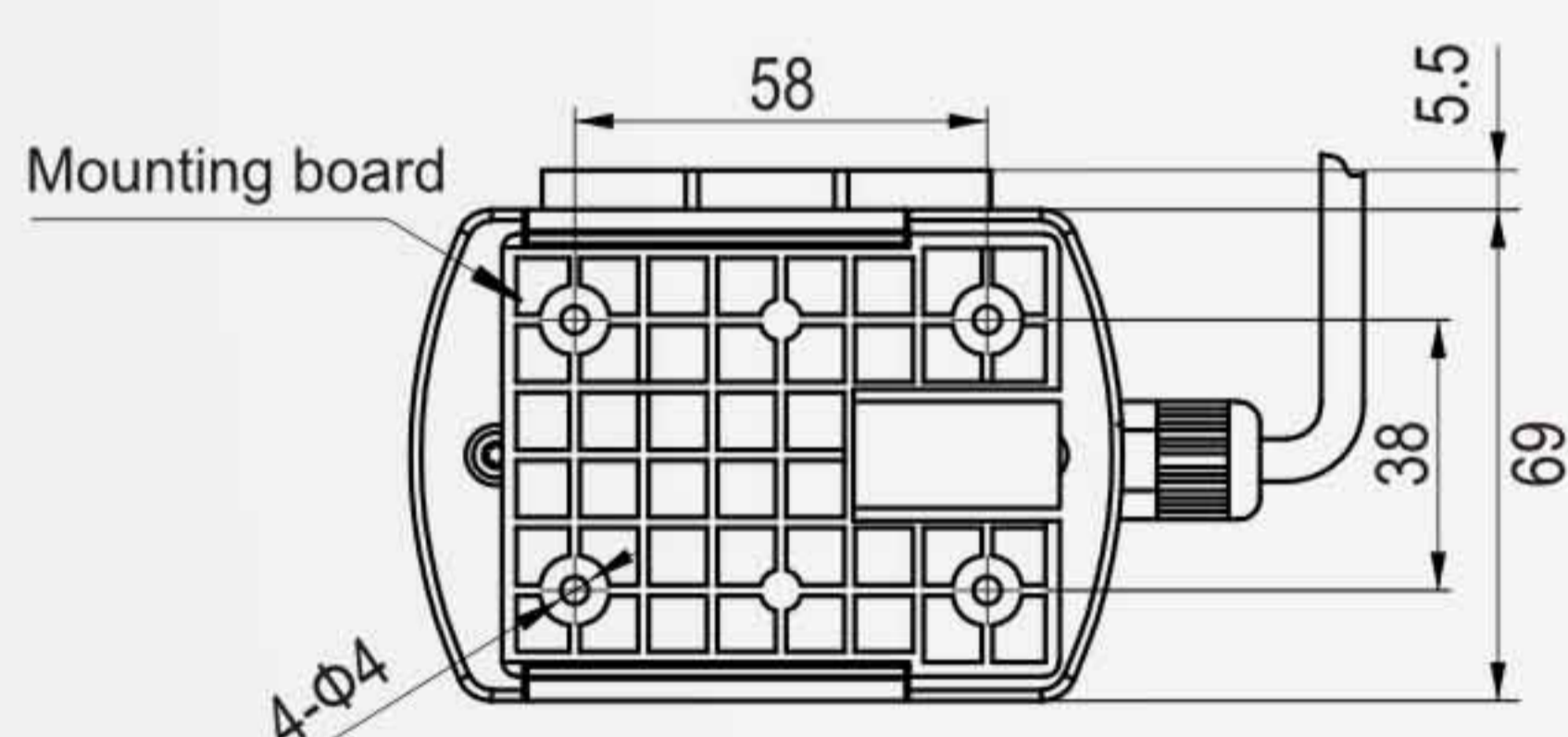
- Connection of max 2 actuators and 1 operating elements



SPECIFICATIONS

Number of actuator outputs	1-2 outputs	Duty cycle	10%, max 2min. continuous use
Voltage (VDC)	12 or 24 (option)	Overload protection	PTC (see page 07)
Actuator plugs	4sd (see page 56)	Cable length	300mm
Hand/Foot-Control plugs	9sd (see page 56)	IP Grade	IP54
Power plug	01s (see page 56)	Ambient temperature	+5°C ~ + 40°C
Colour	Black or Grey	Standard	CE

DIMENSIONS



ORDER KEY EXAMPLE

JCR35 - 2 - 24 - 4s - 9b - B - X

- Only if special option
- Colour (G: grey, B: black)
- Hand/Foot-Control plugs (see page 56)
- Actuator plugs (see page 56)
- Voltage (VAC)
- Number of actuator outputs
- Type (JCR35)

JCB35E

FEATURES

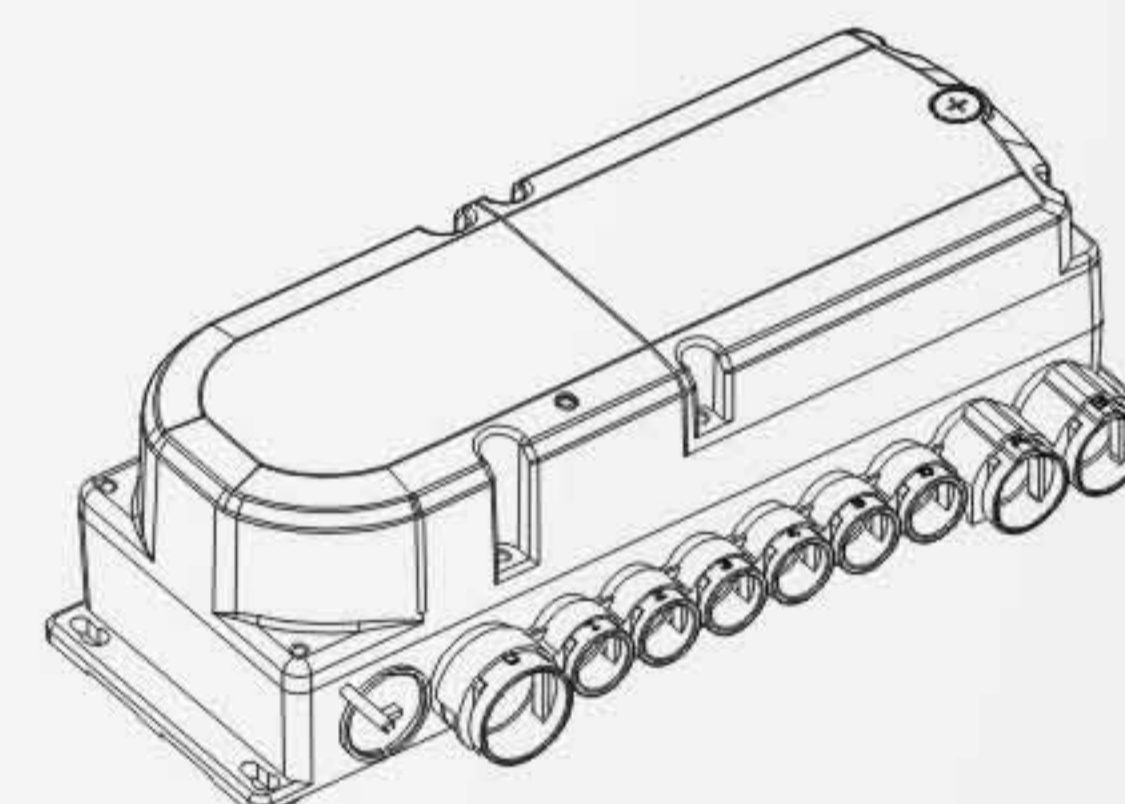
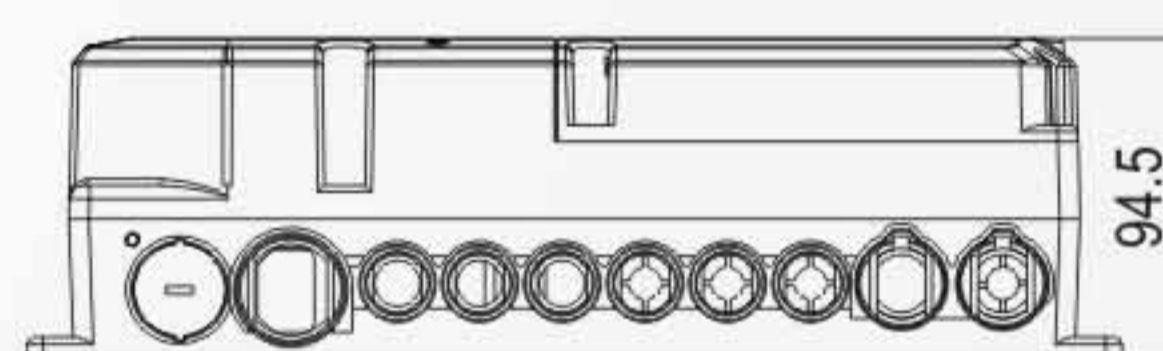
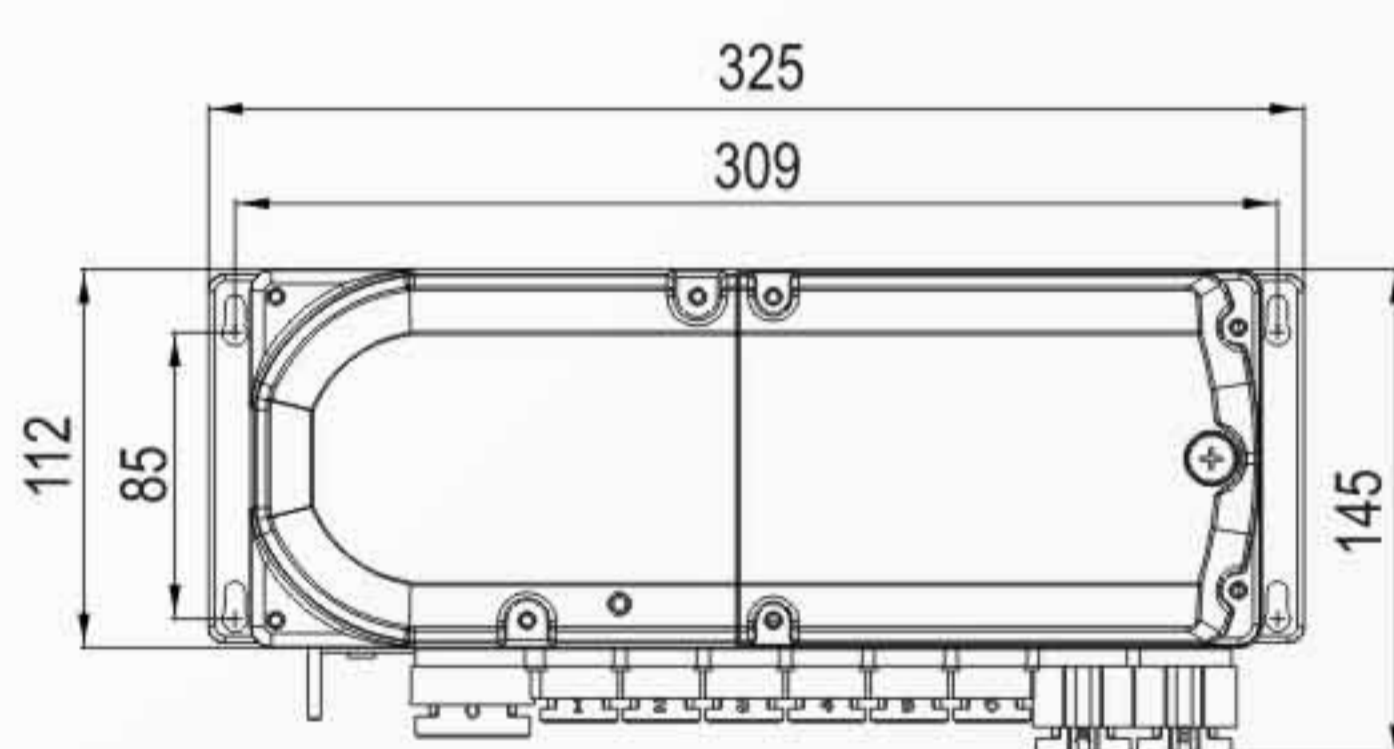
- Connection of max 6 actuators and 2 operating elements
- Built-in backup battery function option and IPX4
- Medically approved according to EN60601-1 / UL60601-1



SPECIFICATIONS

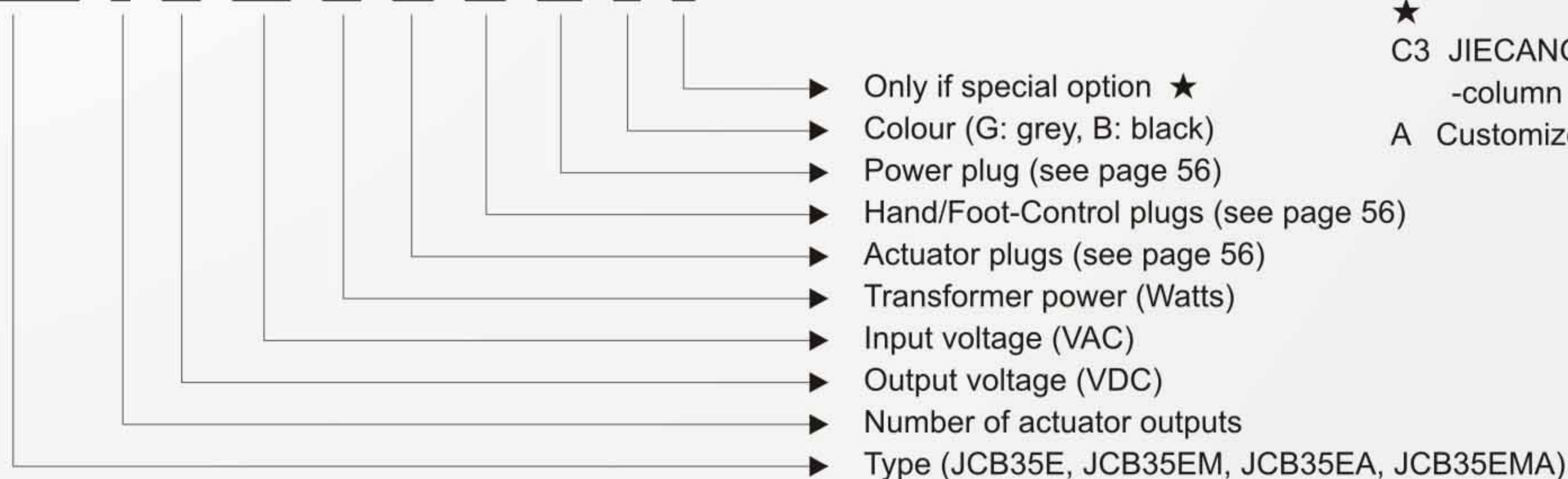
Number of actuator outputs	1-6 outputs	Fuse	Can be changed from outer side
Output Voltage (VDC)	24/29	Cable length	3m
Input Voltage (VAC)	110 or 230	IP Grade	IP54
Transformer power (Watts)	86/150/200/360	Ambient temperature	+5°C ~ +40 °C
Actuator plugs	4s/6s (see page 56)	Standard	UL60601-1 / CE
Hand/Foot-Control plugs	9s/13s (see page 56)	Optional Features	Back-up battery, 1.3Ah/24V, charger built-in (JCB35EA)
Power plug	Option (see page 56)		Customized intelligent function with microchips built-in option (JCB35EM)
Colour	Black or Grey		Battery and customized function together (JCB35EMA)
Duty cycle	10%, max 2min. continuous use		
Overload protection	For all channels (single-extra protected or combined-extra protected), Option (see page 07)		

DIMENSIONS



ORDER KEY EXAMPLE

JCB35E - 4 - 24 - 230 - 86 - 4b - 9b - EF - G - X



- ★ C3 JIECANG standard 3-column bed system
- A Customized function

CONTROL BOXES

JCB35G

FEATURES

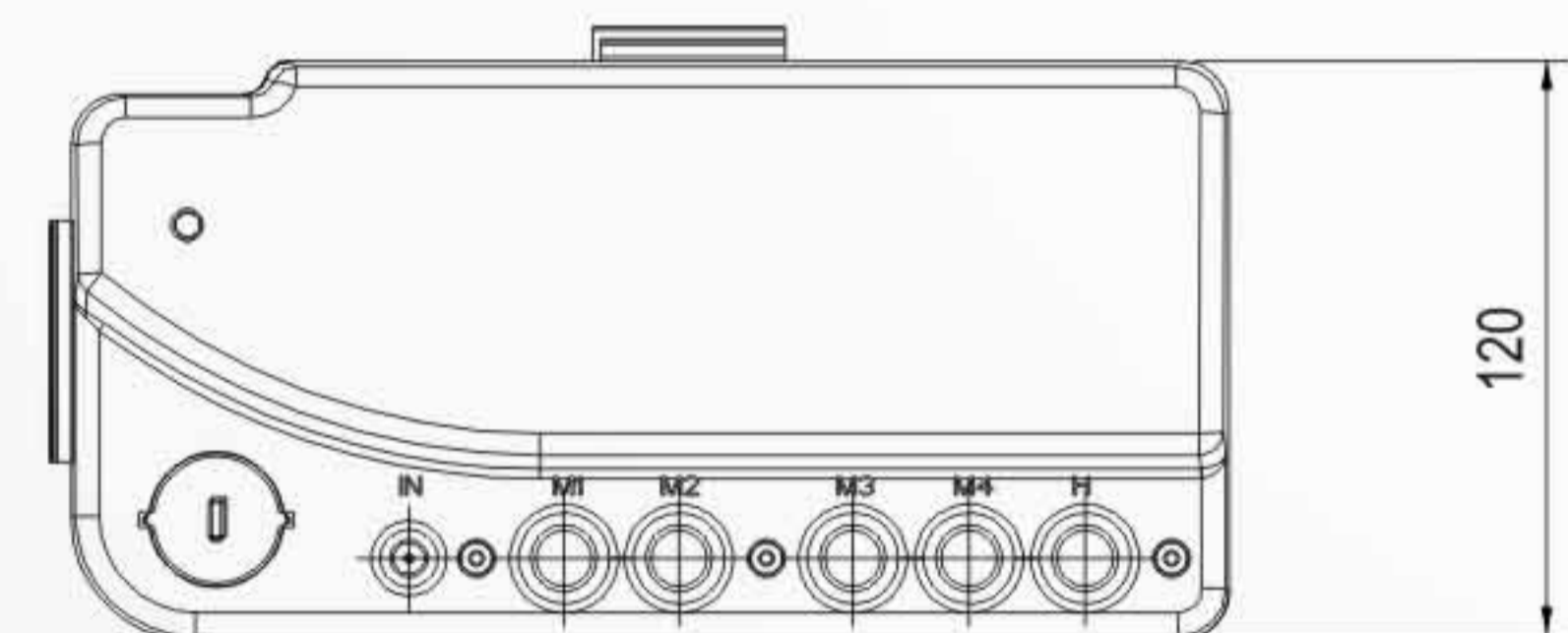
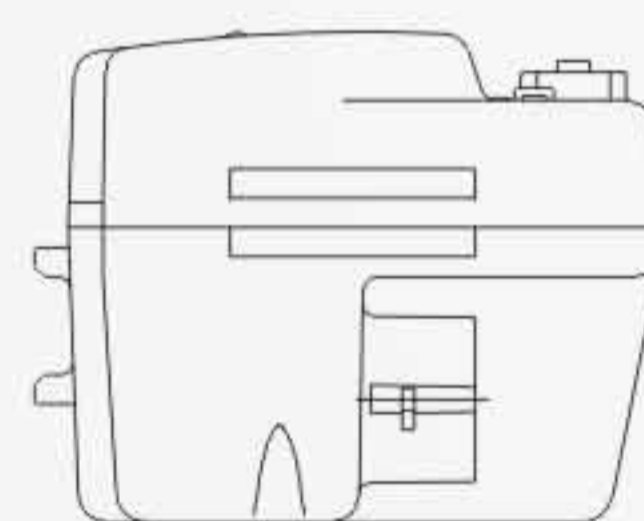
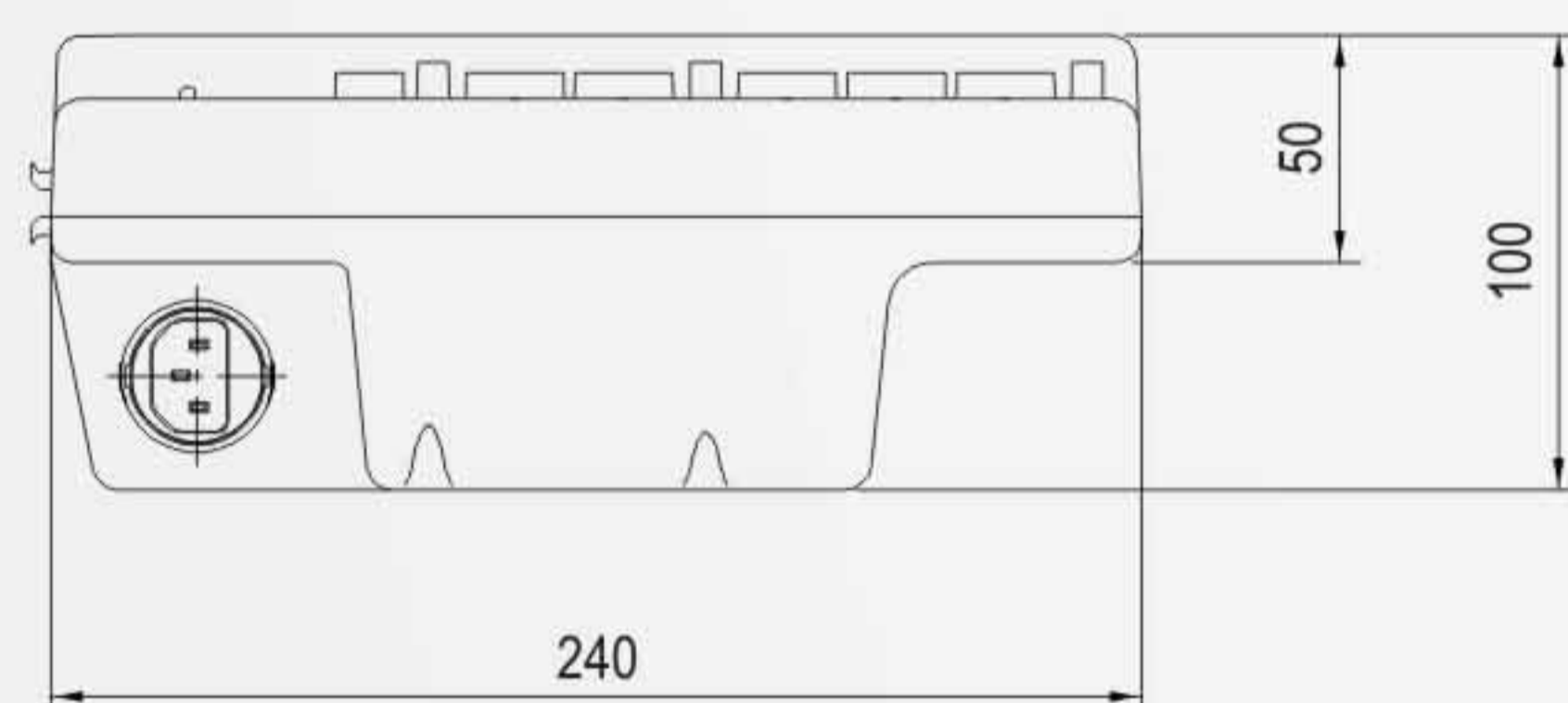
- Connection of max 4 actuators and 1 operating element
- Has battery charger option built-in and IP66 and EN60601-1 approval
- Designed for direct mounting on actuator JC35G



SPECIFICATIONS

Number of actuator outputs	1-4 outputs	Fuse	Can be changed from outer side
Output Voltage (VDC)	24	Cable length	3m
Input Voltage (VAC)	110 or 230	IP Grade	IP66
Transformer power (Watts)	86/150/200	Ambient temperature	+5°C ~ + 40°C
Actuator plugs	4sd (see page 56)	Standard	CE
Hand/Foot-Control plugs	9sd (see page 56)	Optional Features	Battery charger built-in (JCB35GA)
Power plug	Option (see page 56)		Customized intelligent function with microchips built-in, option (type JCB35GM)
Colour	Black or Grey		Battery charger and customized function together (type JCB35GMA)
Duty cycle	10%, max 2min. continuous use		
Overload protection	For all channels (single-extra protected or combined-extra protected), Option (see page 07)		

DIMENSIONS



ORDER KEY EXAMPLE

JCB35G - 4 - 24 - 230 - 86 - 4sd - 9sd - EF - G - X

- Only if special option
- Colour (G: grey, B: black)
- Power plug (see page 56)
- Hand/Foot-Control plugs (see page 56)
- Actuator plugs (see page 56)
- Transformer power (Watts)
- Input voltage (VAC)
- Output voltage (VDC)
- Number of actuator outputs
- Type (JCB35G, JCB35GM, JCB35GA, JCB35GMA)

JCB35J

FEATURES

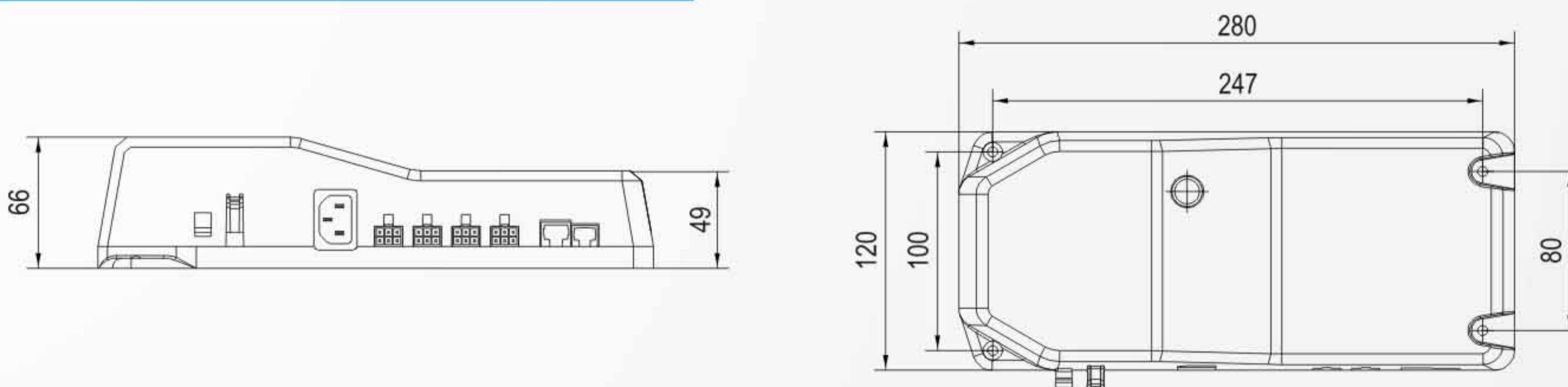
- Can control up to 4 actuators or columns working synchronized and soft start and stop function
- The standby consumption is less than 0.2 W
- It is popular to be used for adjustable office table



SPECIFICATIONS

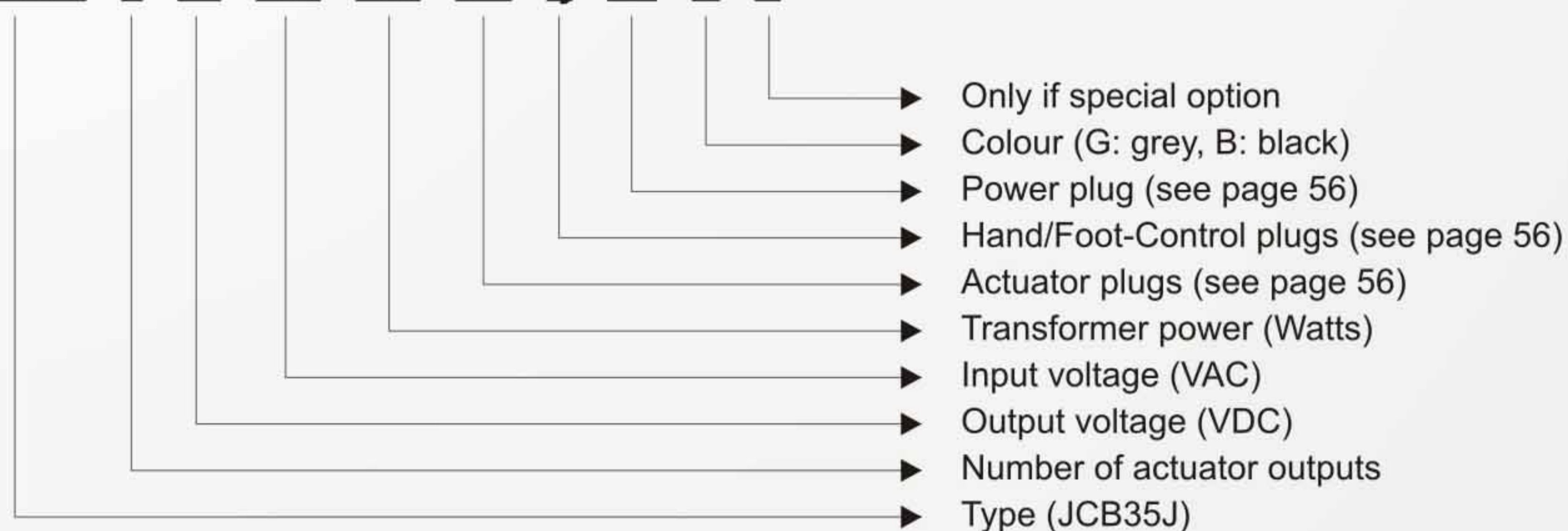
Number of actuator outputs	1-4 outputs	Overload protection	For all channels, single-extra protected (see page 07)
Output Voltage (VDC)	31		
Input Voltage (VAC)	110 or 230	Fuse	Can be changed from outer side
Transformer power (Watts)	200/360	Cable length	3m
Actuator plugs	6m (see page 56)	IP Grade	IP20
Hand/Foot-Control plugs	rj (see page 56)	Ambient temperature	+5°C ~ + 40°C
Power plug	Option (see page 56)	Standard	UL60601-1 / CE
Colour	Black	Other Features	Stroke length, retracted length, speed, ... can be adjusted by our accessory JCHY35.
Duty cycle	10%, max 2min. continuous use		

DIMENSIONS



ORDER KEY EXAMPLE

JCB35J - 2 - 24 - 230 - 200 - 6m - rj - EF - B - X



CONTROL BOXES

JCJ35

FEATURES

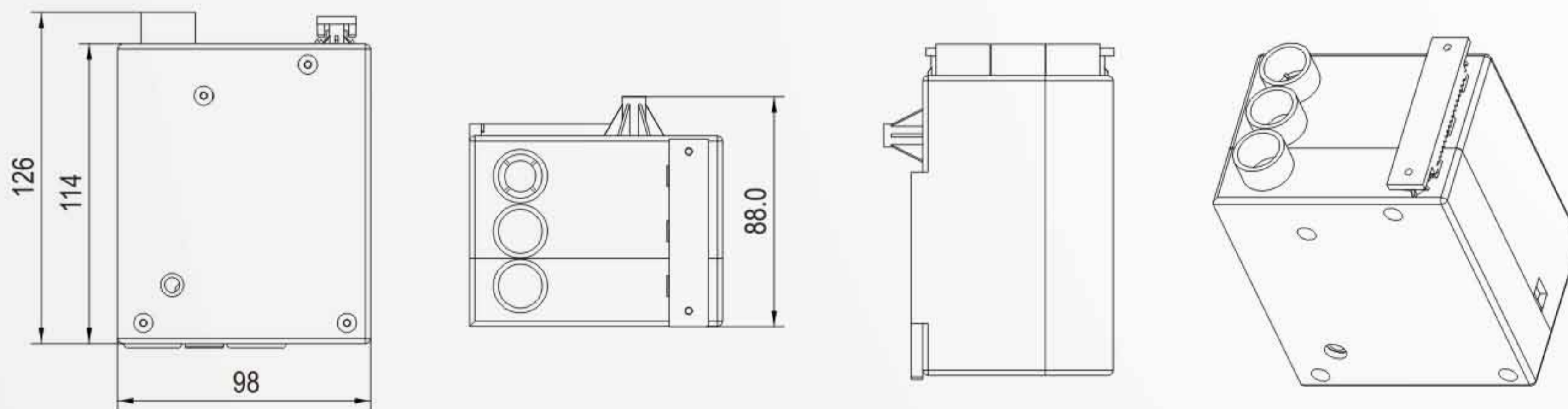
- Connection of max 2 actuators and 1 operating element
- Max 50VA power
- Economical design for furniture market



SPECIFICATIONS

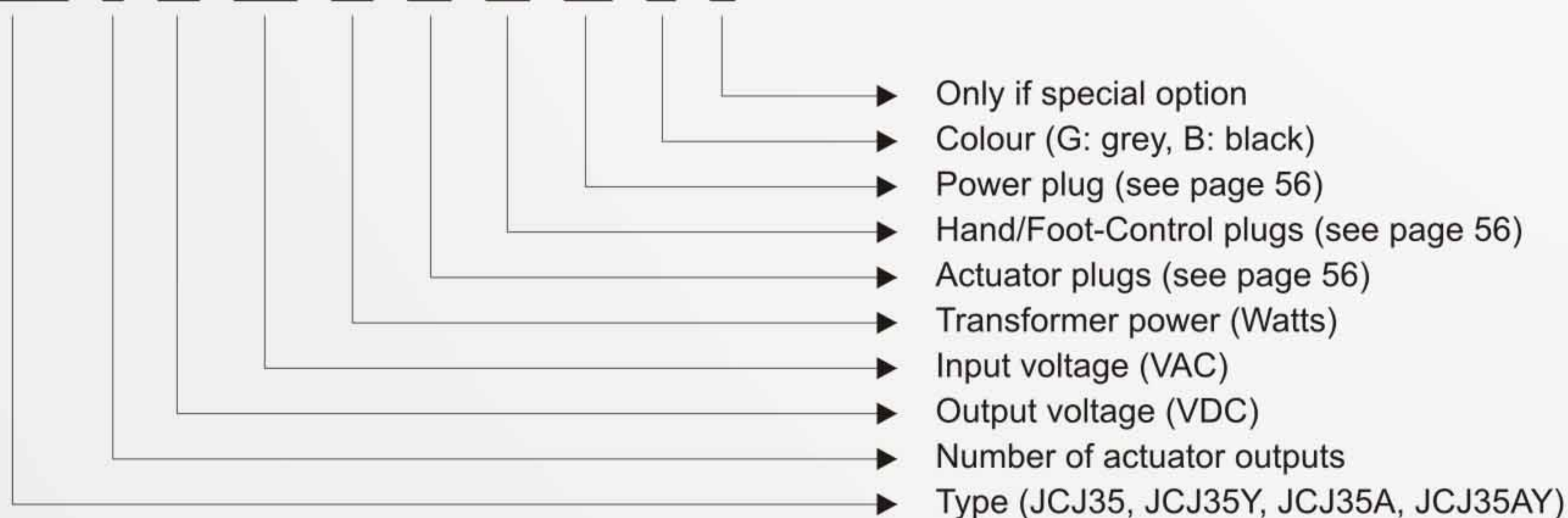
Number of actuator outputs	1-2 outputs	Overload protection	PTC protection
Output Voltage (VDC)	24/29	Fuse	inside
Input Voltage (VAC)	110 or 230	Cable length	3m
Transformer power (Watts)	50	IP Grade	IP43
Actuator plugs	4b (see page 56)	Ambient temperature	+5°C ~ + 40°C
Hand/Foot-Control plugs	9b (see page 56)	Standard	UL60601-1 / CE
Power plug	Option (see page 56)	Optional Features	9V*2 batteries built-in (type JCJ35A)
Colour	Black or Grey		RF receiver built-in (type JCJ35Y)
Duty cycle	10%, max 2min. continuous use		Battery and RF receiver function together (type JCJ35AY)

DIMENSIONS



ORDER KEY EXAMPLE

JCJ35 - 1 - 24 - 230 - 50 - 4b - 9b - EF - G - X



JCJ35D

FEATURES

- Connection of max 4 actuators and 1 operating elements
- Max 100VA power
- Economical design for furniture market

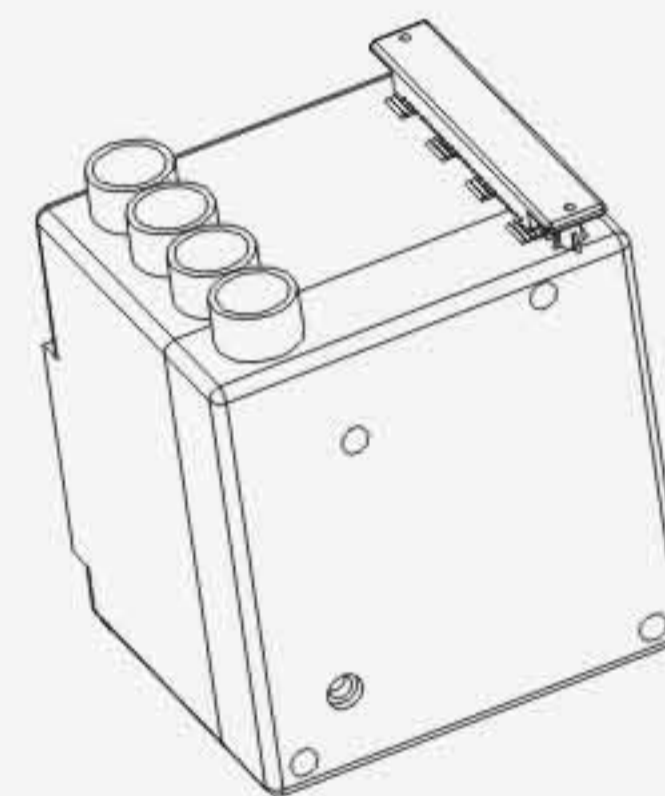
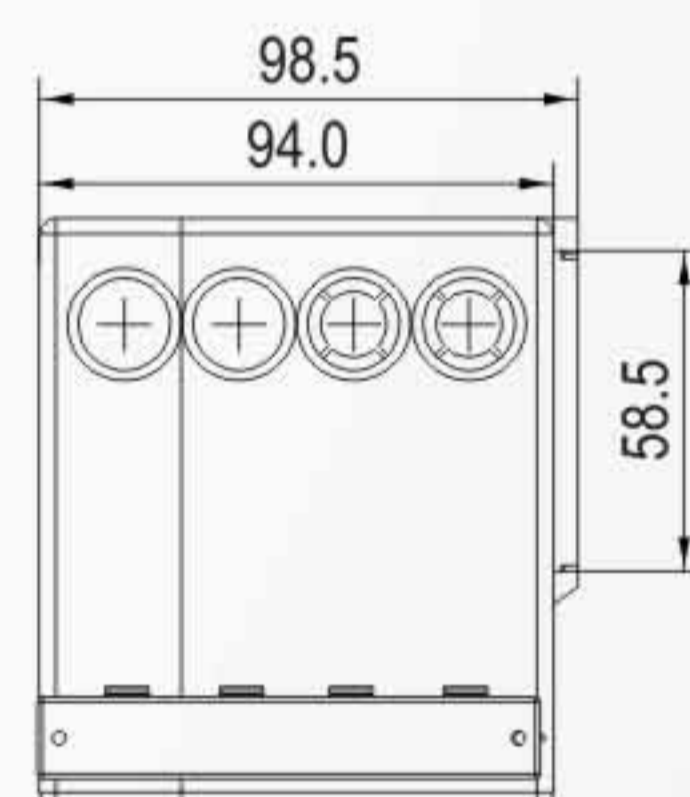
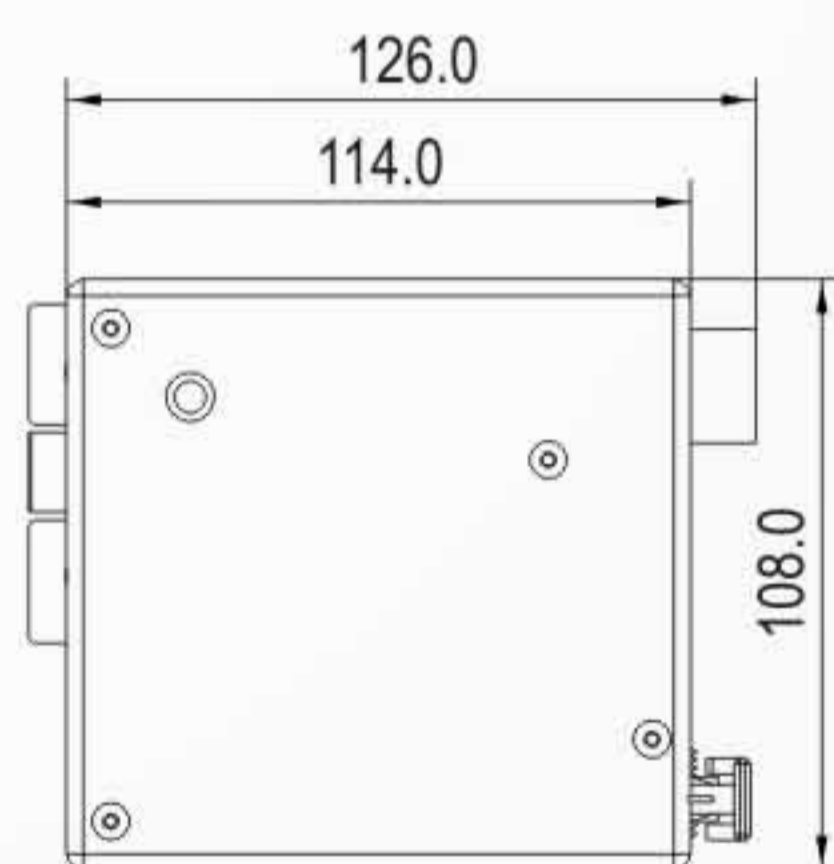


SPECIFICATIONS

Number of actuator outputs	1-4 outputs	Duty cycle	10%, max 2min. continuous use
Output Voltage (VDC)	24/29	Overload protection	PTC protection
Input Voltage (VAC)	110 or 230	Fuse	inside
Transformer power (Watts)	100	Cable length	3m
Actuator plugs	4b/4s (see page 56)	IP Grade	IP43
Hand/Foot-Control plugs	9b/13s (see page 56)	Ambient temperature	+5°C ~ + 40°C
Power plug	Option (see page 56)	Standard	CE
Colour	Black or Grey	Optional Features	RF receiver built-in (type JCJ35DY)

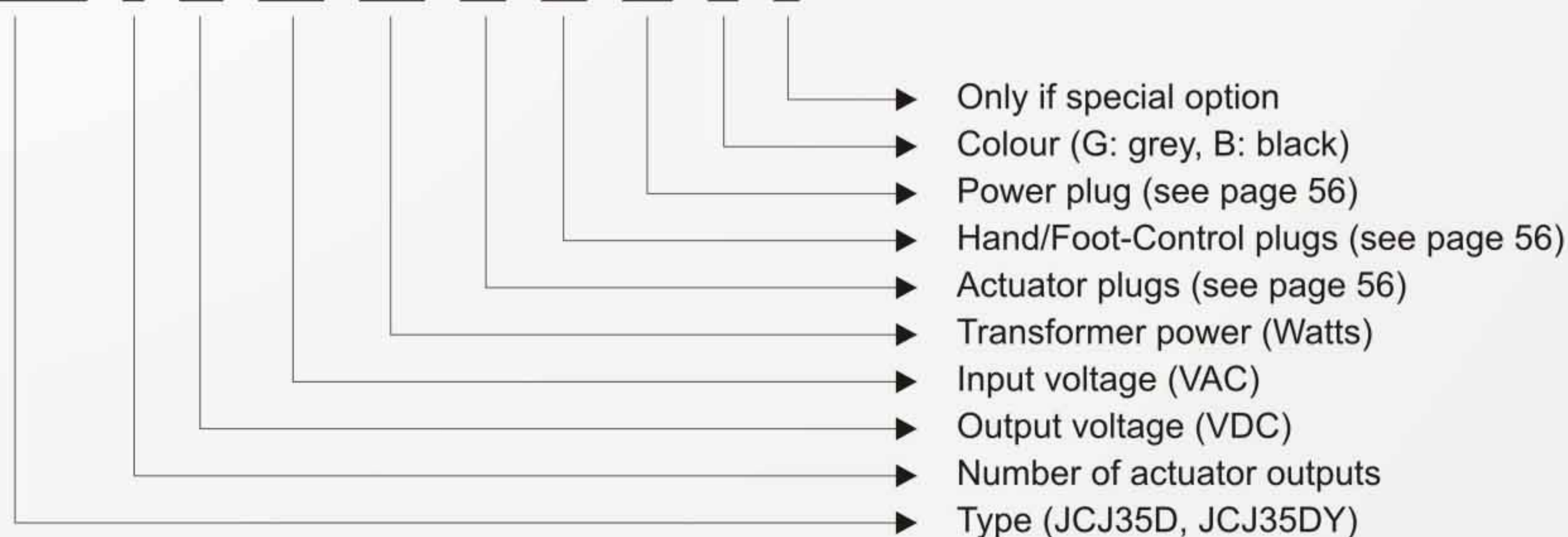
※ JCJ35D control box can be made for 4 actuator outputs. The hand control will be connected on the side as on following picture.

DIMENSIONS



ORDER KEY EXAMPLE

JCJ35D - 3 - 24 - 230 - 100 - 4b - 9b - EF - G - X



HAND/FOOT CONTROLS

JCHB35 JCHC35

FEATURES

- Small and round design for upholstered furniture
- JCHC35 can work with relay free version actuator



JCHB35

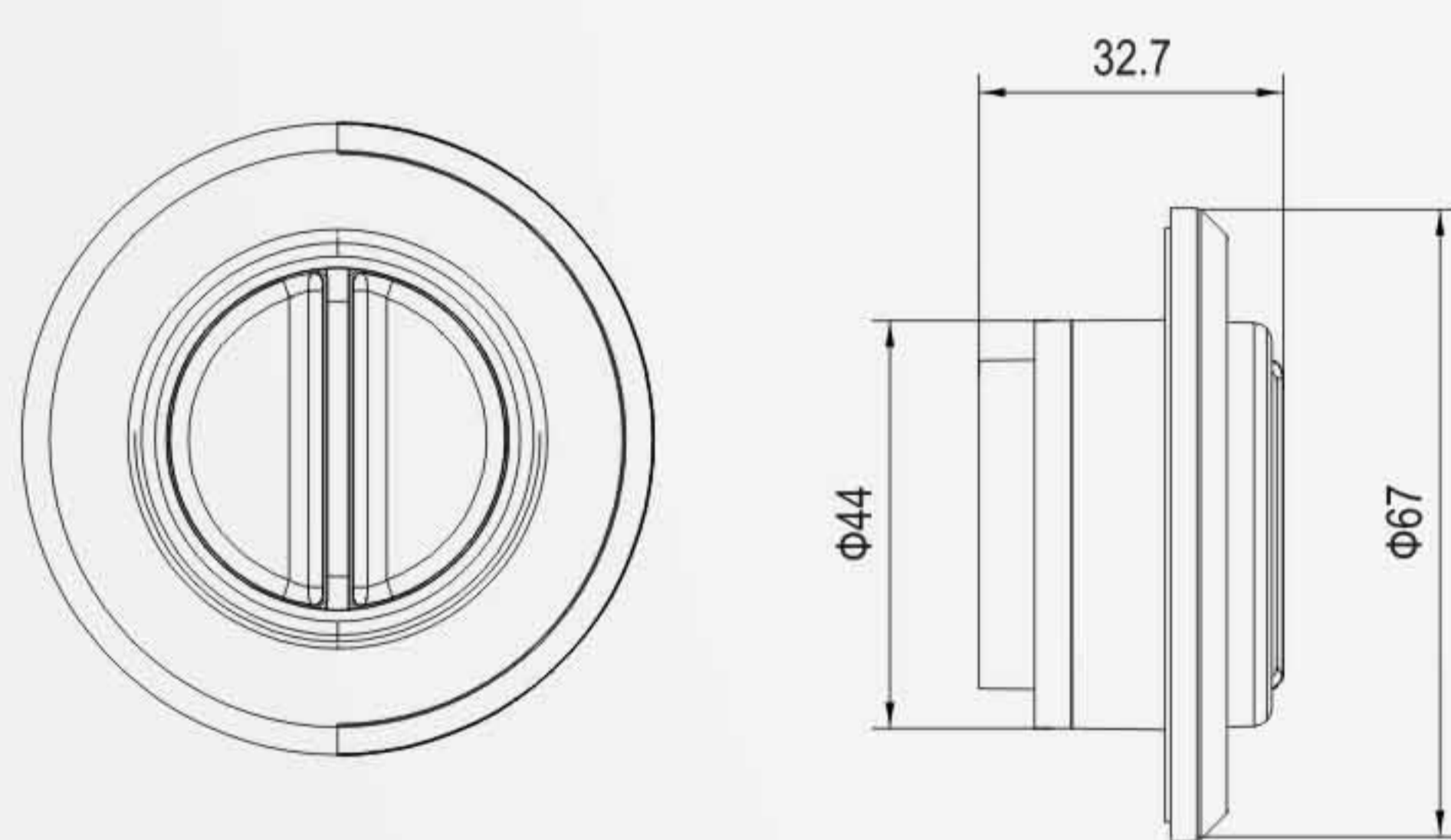


JCHC35

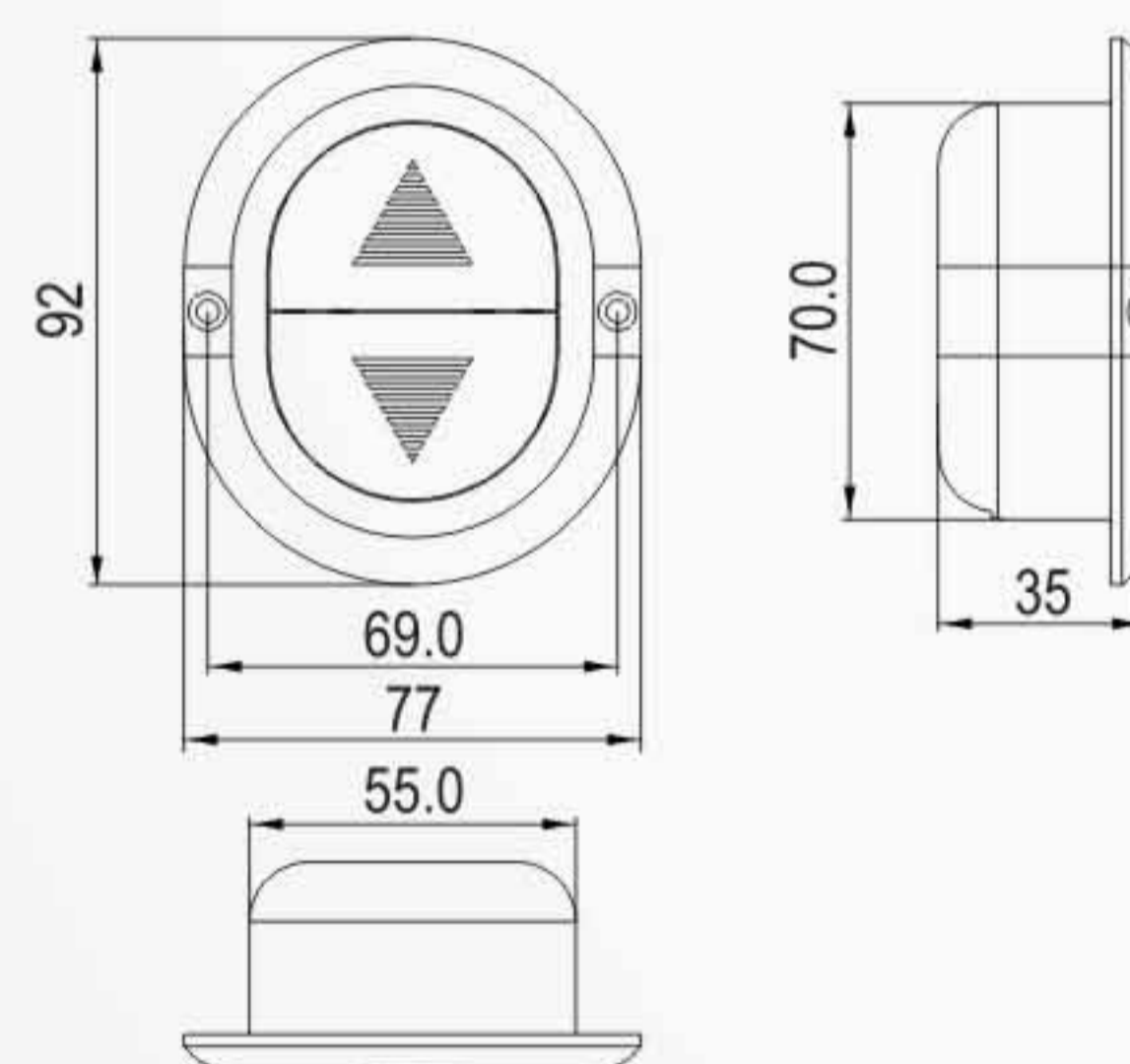
SPECIFICATIONS

Actuator Quantity	For 1 actuator
Plug	Option (see page 56)
Colour	Black
Cable	Straight cable
IP Degree	IP20
Connection	All of JIECANG control boxes
Other features	Round design and for Upholstered furniture

DIMENSIONS



JCHB35



JCHC35

ORDER KEY EXAMPLE

JCHB35 - 1 - 9b - B - X

- ▶ Only if special option
- ▶ Colour (B: black)
- ▶ plug (see page 56)
- ▶ Number of button pairs
- ▶ Type (JCHB35, JCHC35)

HAND/FOOT CONTROLS

JCHE35 JCHJ35 JCHL35

FEATURES

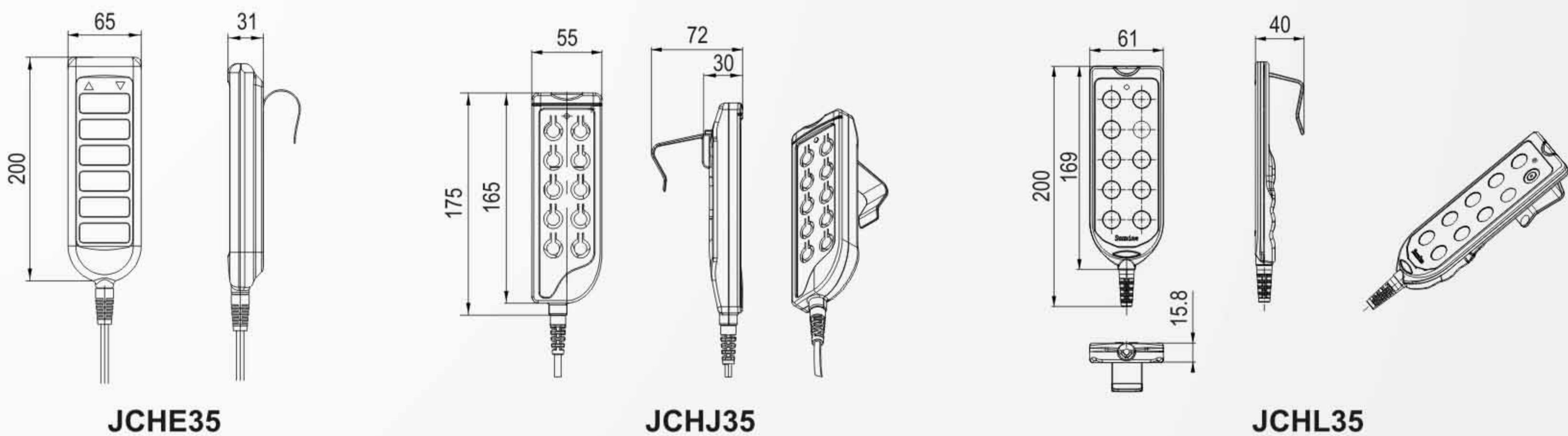
- IPX4 and with hook design for medical market



SPECIFICATIONS

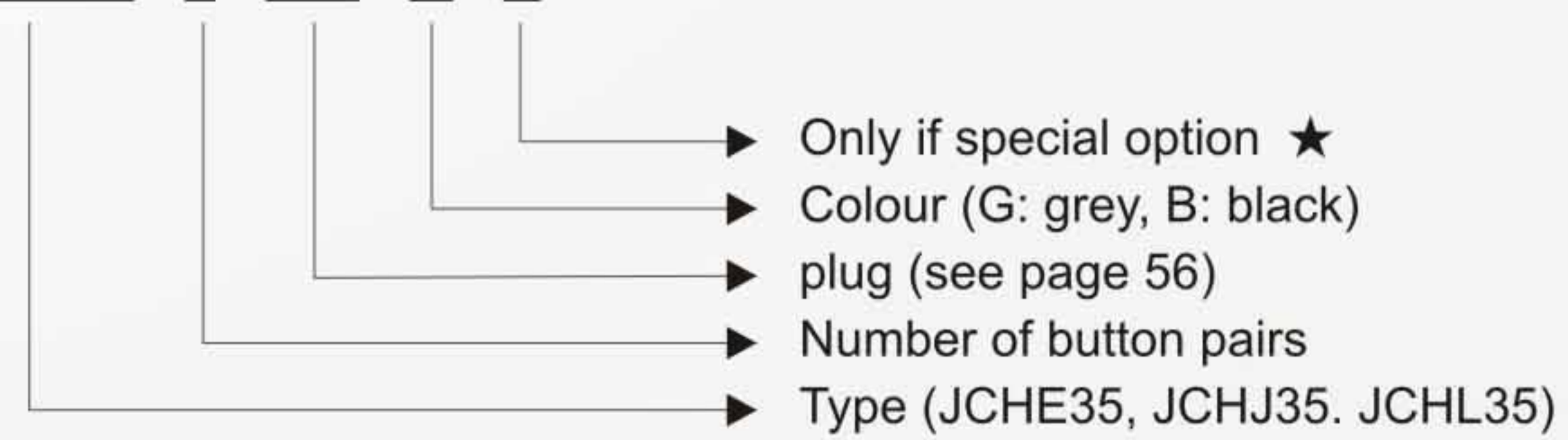
	JCHE35	JCHJ35	JCHL35
Actuator Quantity	For 1-6 actuators	For 1-5 actuators	For 1-5 actuators
Plug	Option (see page 56)		
Colour	Black or Grey		
Cable	Coiled cable		
IP Degree	IP54	IP54	IP66
Connection	All of JIECANG control boxes		
Other features	Lock/Unlock function (electronic)	Lock/Unlock on the back (mechanical key)	Bakground light

DIMENSIONS



ORDER KEY EXAMPLE

JCHE35 - 5 - 13s - G - X



- ★ Only if special option
- ★ Colour (G: grey, B: black)
- ★ plug (see page 56)
- ★ Number of button pairs
- ★ Type (JCHE35, JCHJ35, JCHL35)
- ★ ML - Mechanical lock on backside
- ★ BL - Background light
- ★ EL - electronic lock

HAND/FOOT CONTROLS

JCHQ35 JCHS35 JCHX35

FEATURES

- Economical design for furniture market



JCHQ35



JCHS35

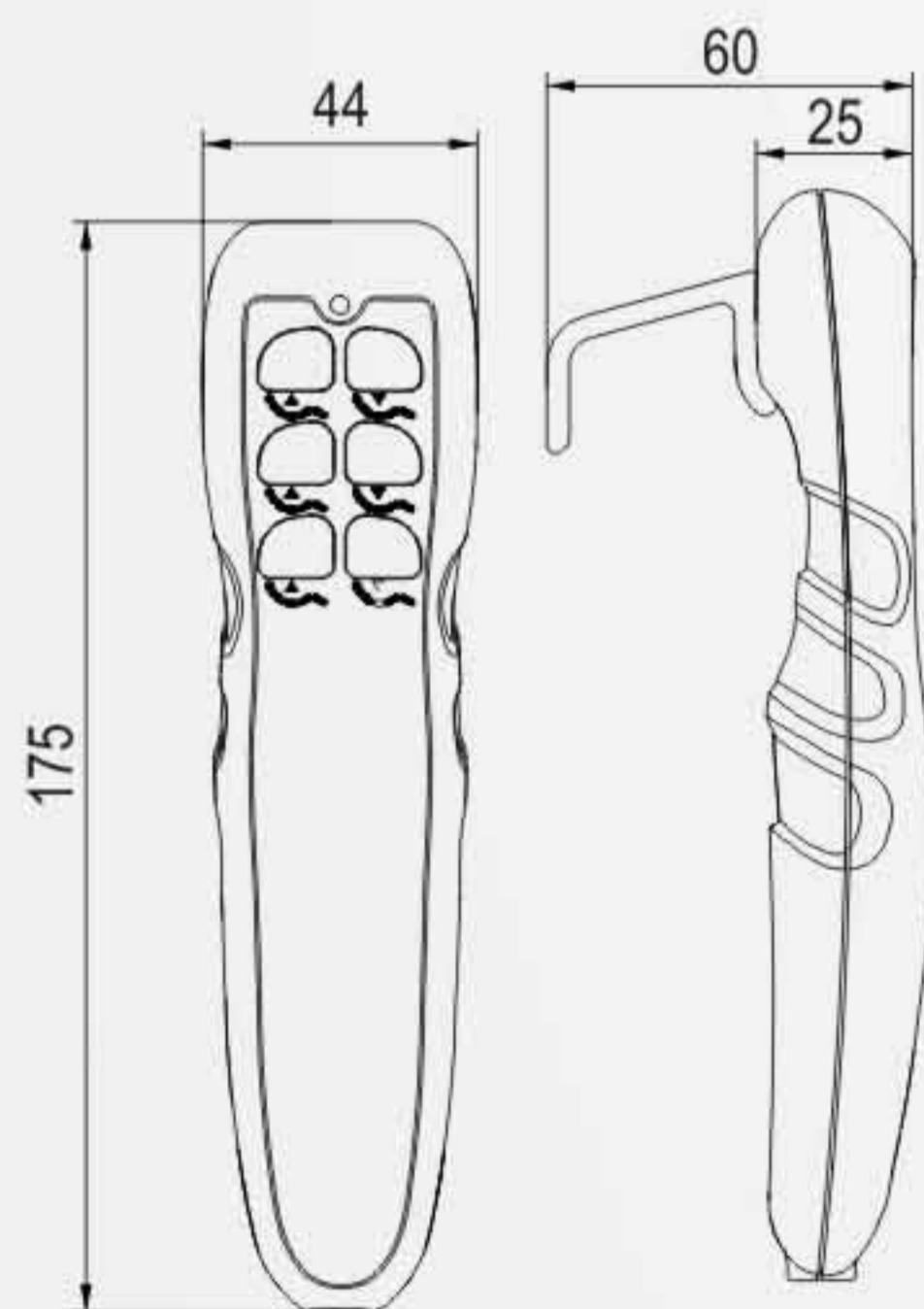


JCHX35

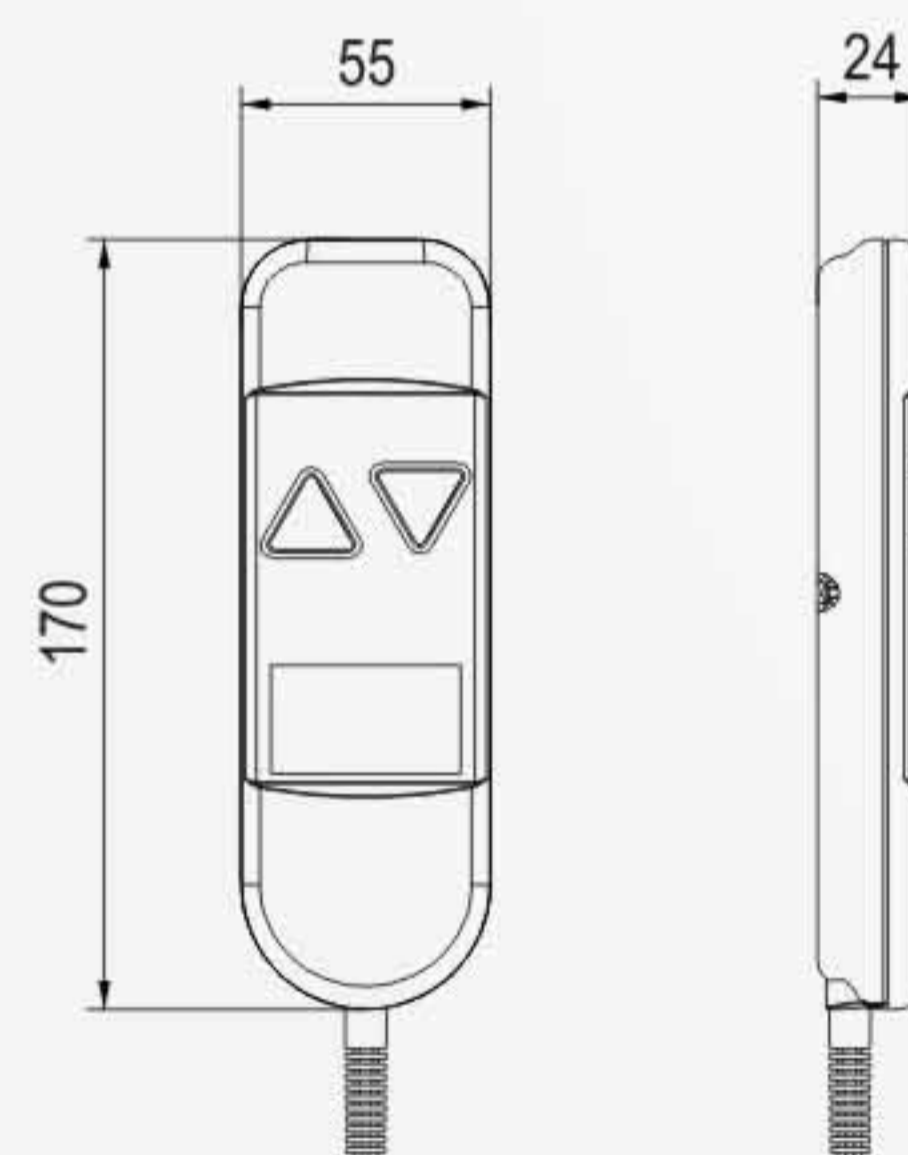
SPECIFICATIONS

	JCHQ35	JCHS35	JCHX35
Actuator Quantity	For 1-3 actuators	For 1-2 actuators	For 1-2 actuators
Plug	Option (see page 56)		
Colour	Black or Grey		
Cable	Coiled cable		
IP Degree	IP20		
Connection	All of JIECANG control boxes		
Other features	Special design for dual motor system	Can connect with relay free system	With holder to support

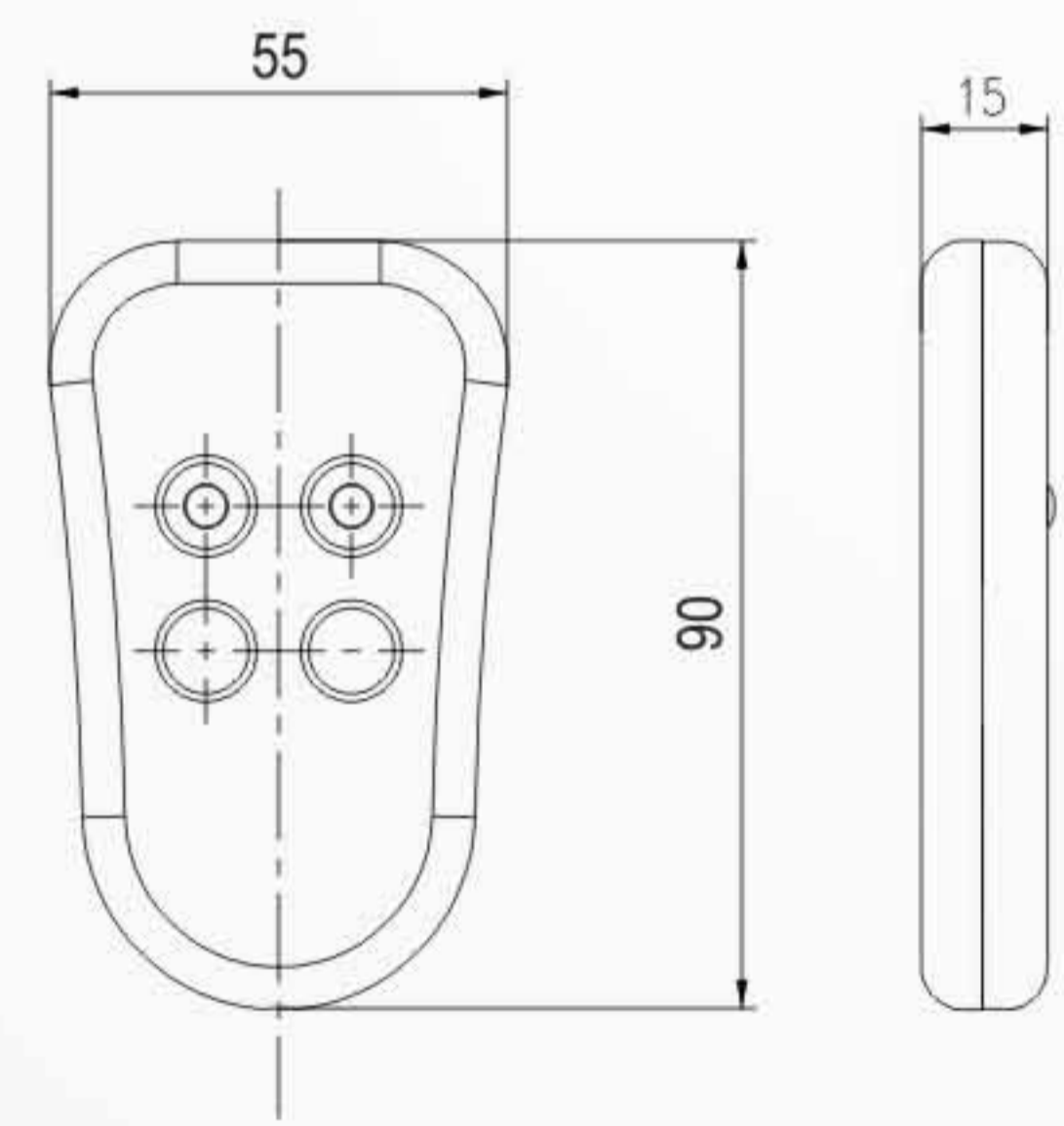
DIMENSIONS



JCHQ35



JCHS35



JCHX35

ORDER KEY EXAMPLE

JCHQ35 - 4 - 9s - G - X

- ▶ Only if special option
- ▶ Colour (G: grey, B: black)
- ▶ plug (see page 56)
- ▶ Number of button pairs
- ▶ Type (JCHQ35, JCHS35, JCHX35)

HAND/FOOT CONTROLS

JCHM35 JCHT35 JCHT35J JCHT35H

FEATURES

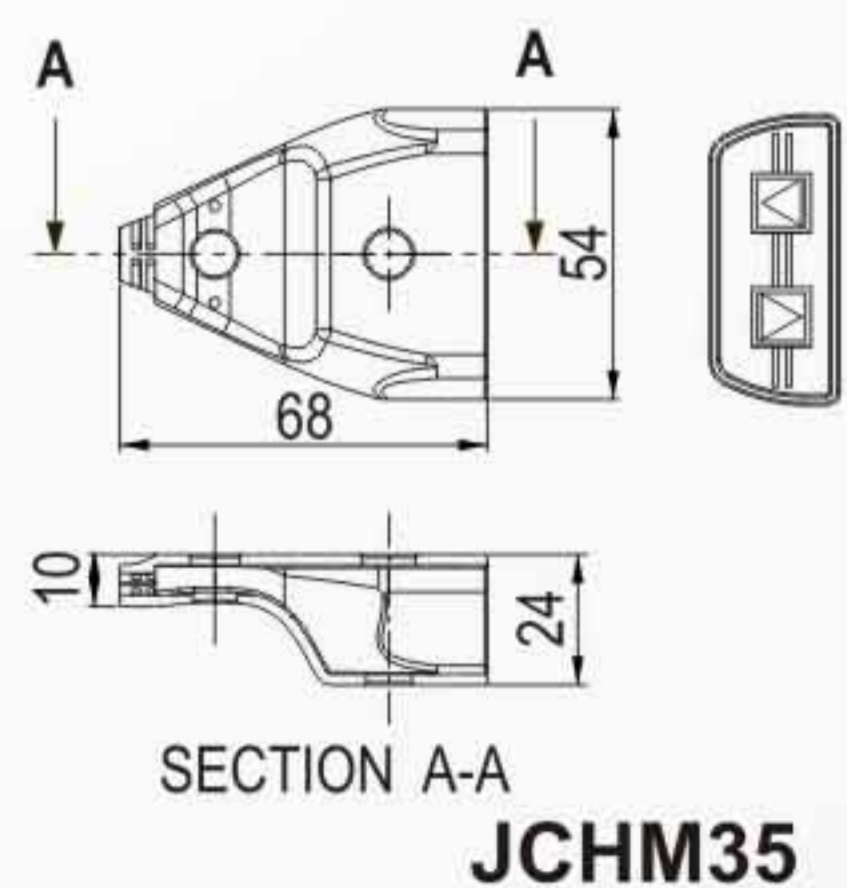
- Special designed for adjustable table



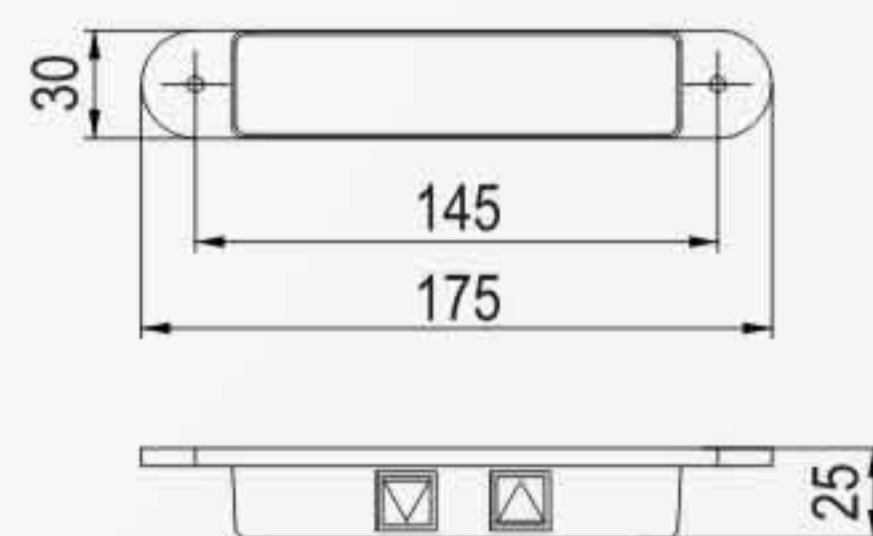
SPECIFICATIONS

	JCHM35	JCHT35	JCHT35J	JCHT35H
Actuator Quantity	For 1 actuator	For 1~2 actuators	For 1-4 actuators synchronized movement	For 1 actuator
Plug	Option (see page 56)			
Colour	Black	Black or Grey	Black	Black
Cable	Straight cable			
IP Degree	IP20			
Connection	All of JIECANG control boxes	All of JIECANG control boxes	JIECANG JCB35J control box	Relay free version
Other features			(1) 4 positions memory function; (2) LED list for position of the actuator or column.	(1) Relay built-in; (2) Soft start.

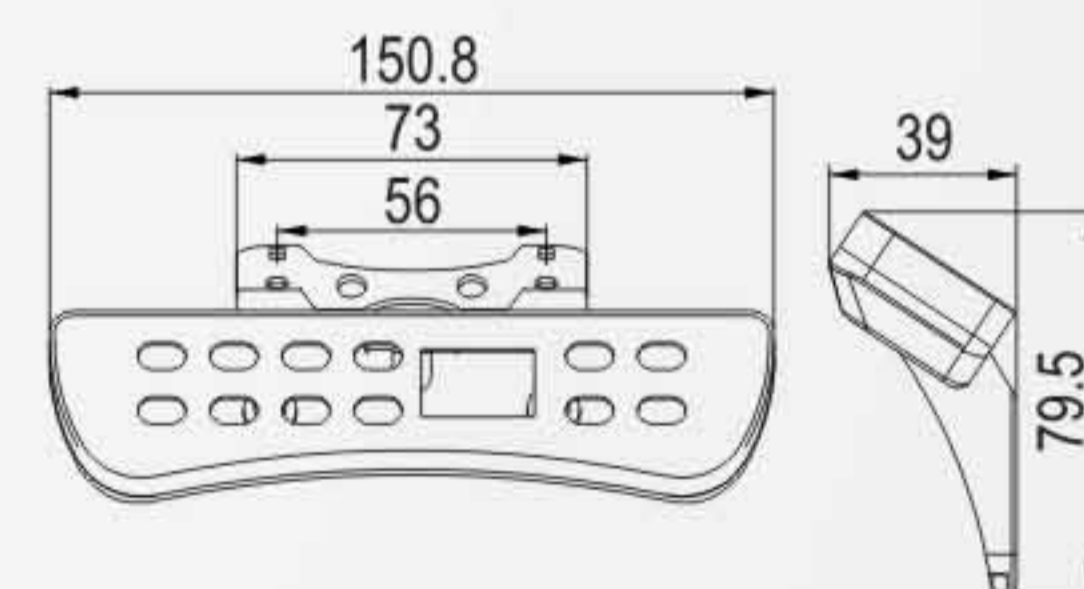
DIMENSIONS



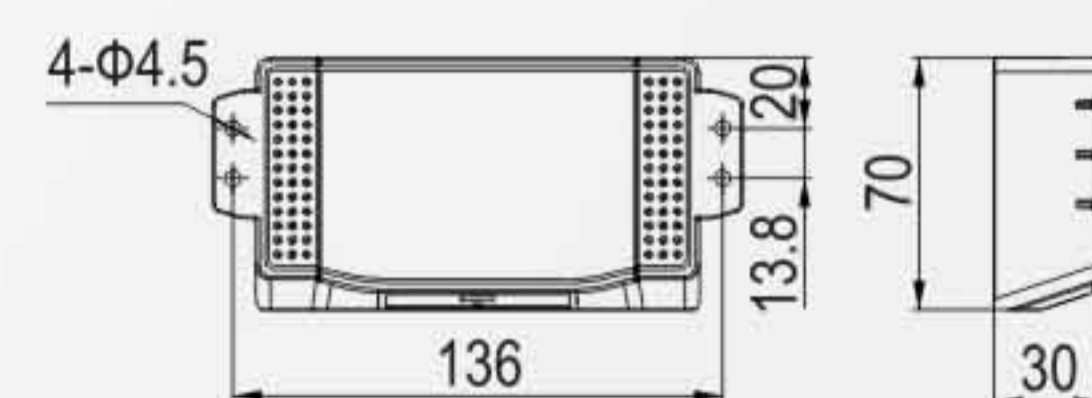
JCHM35



JCHT35



JCHT35J



JCHT35H

ORDER KEY EXAMPLE

JCHM35 - 1 - 9b - B - X

- Only if special option
- Colour (G: grey, B: black)
- plug (see page 56)
- Number of button pairs
- Type (JCHM35, JCHT35, JCHT35J, JCHT35H)

HAND/FOOT CONTROLS

JCF35 JCFS35

FEATURES

- The foot switches can be connected together



JCF35

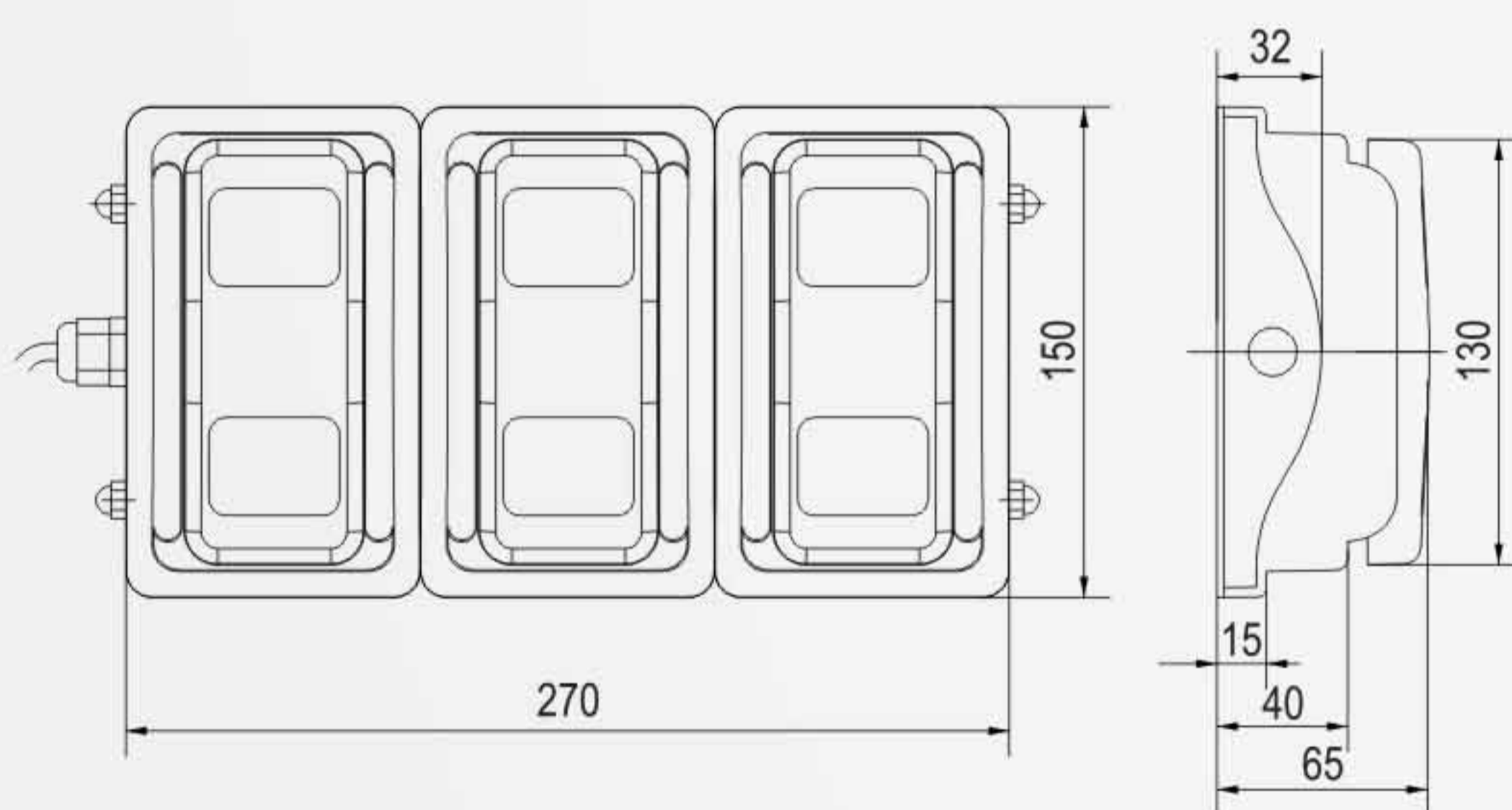


JCFS35

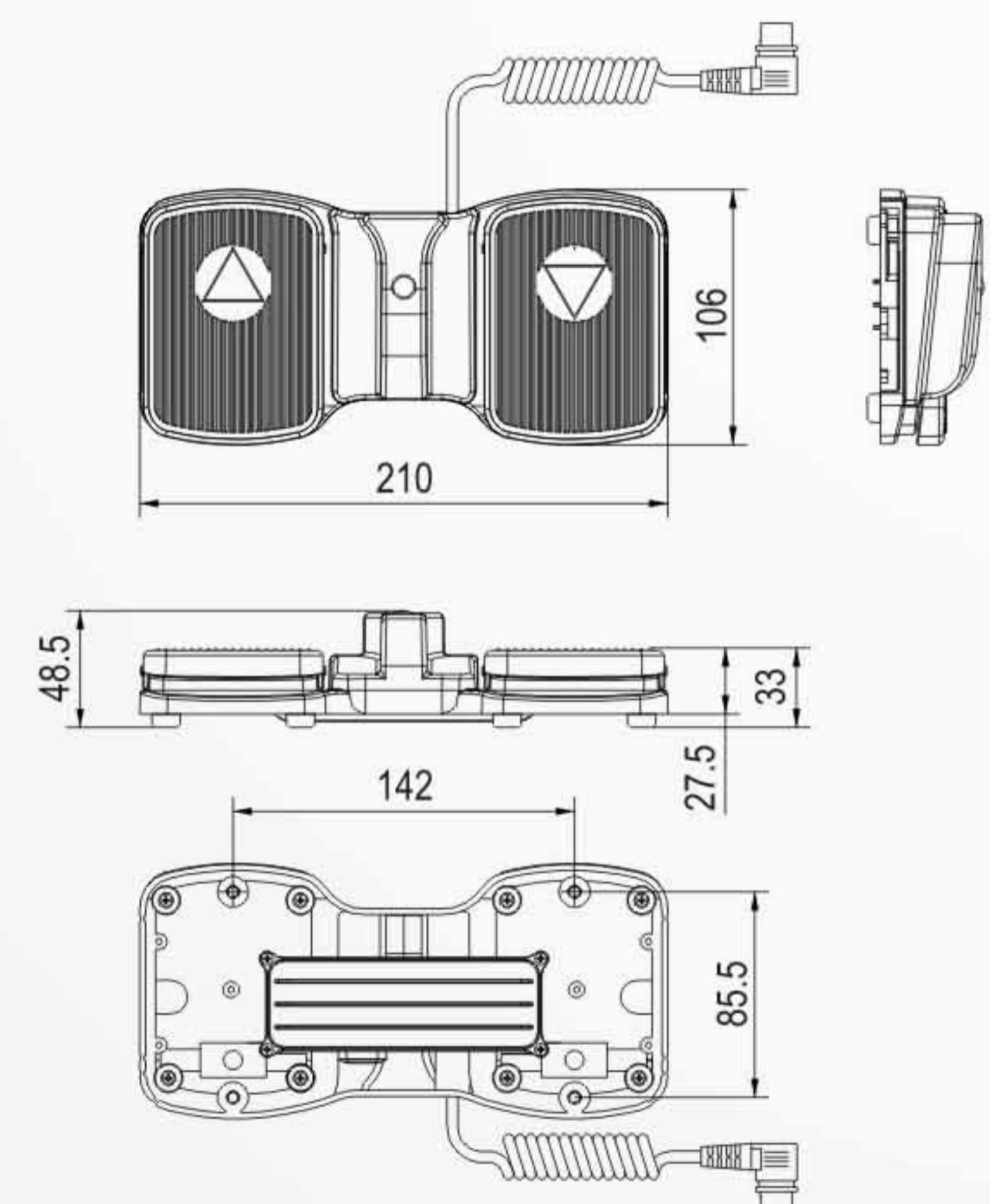
SPECIFICATIONS

	JCF35	JCFS35
Actuator Quantity	For 1-4 actuators	For 1-2 actuators
Plug	Option (see page 56)	
Colour	Black or Grey	Black
Cable	Coiled cable	Coiled cable
IP Degree	IP54	IP66
Connection	All of JIECANG control boxes	

DIMENSIONS



JCF35



JCFS35

ORDER KEY EXAMPLE

JCF35 - 2 - 9s - G - X

- Only if special option
- Colour (G: grey, B: black)
- plug (see page 56)
- Number of button pairs
- Type (JCF35, JCFS35)

HAND/FOOT CONTROLS

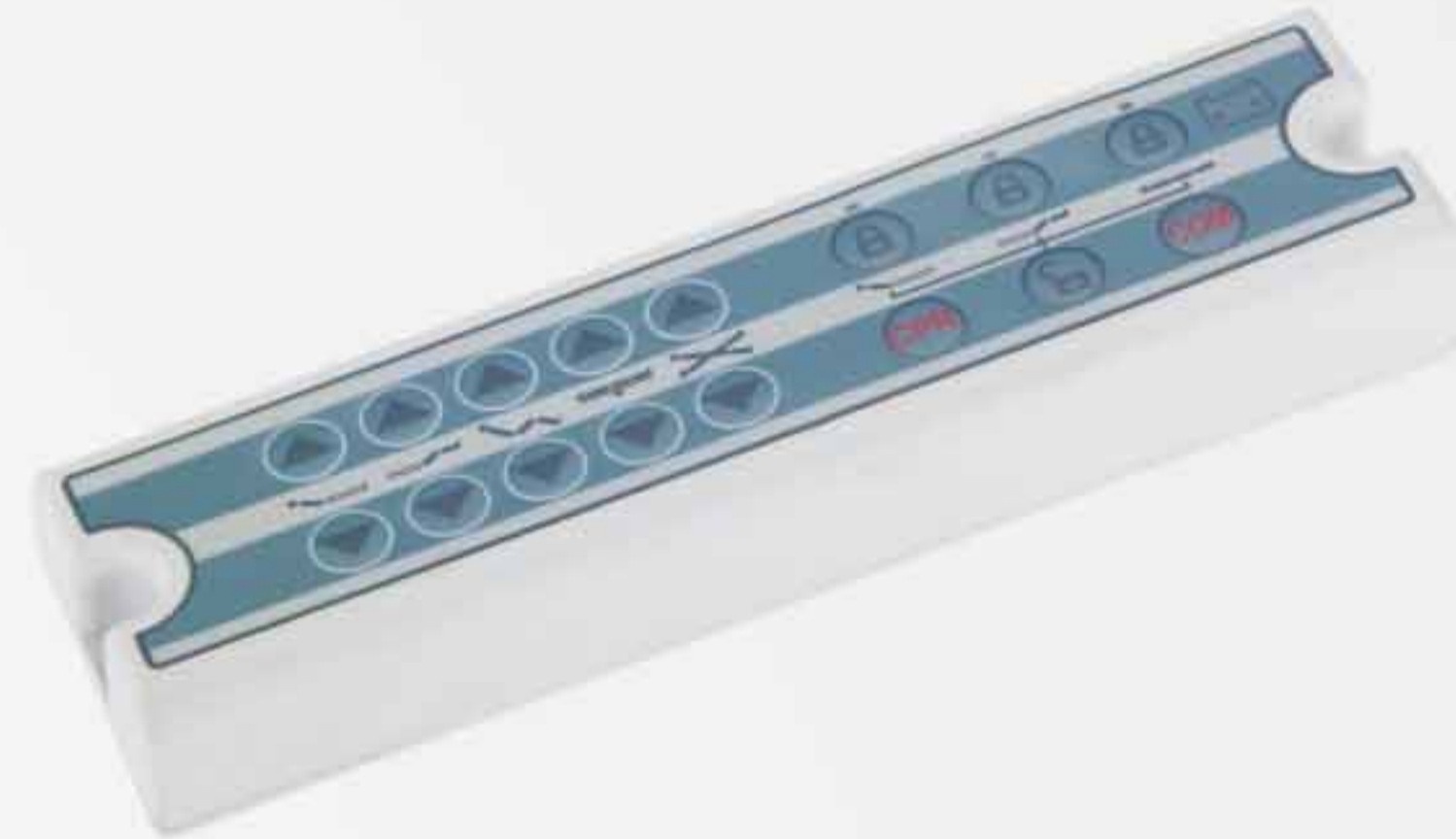
JCHI35 JCHN35A

FEATURES

- Can control 1-4 actuators together with JIECANG control box
- Used for medical market



JCHI35

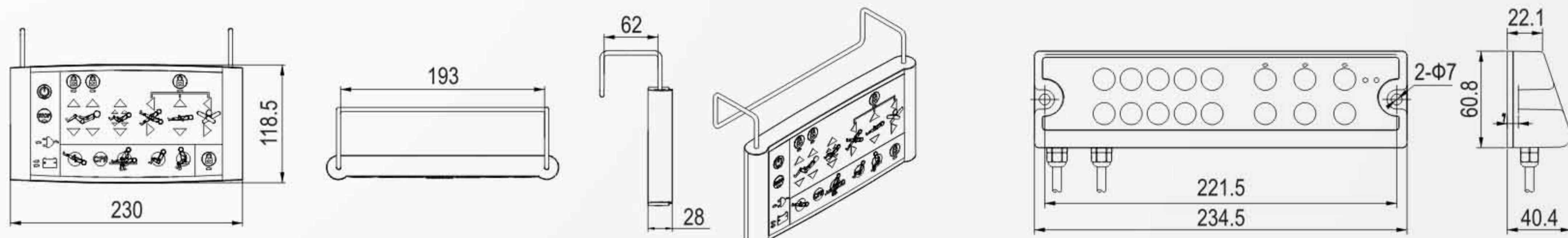


JCHN35A

SPECIFICATIONS

	JCHI35	JCHN35A
Actuator Quantity	For 1-5 actuators / columns totally	For 1-4 actuators
Colour	Grey	
Plug	13s (see page 56)	9s (see page 56)
Cable	Coiled cable (see page 07)	
IP Degree	IP54	
Connection	JIECANG intelligent connection box JCP35N	All of JIECANG JCB35 series control boxes
Other features	Lock/unlock the patient controls buttons separately	Lock/unlock the patient controls buttons separately
	Battery energy indicated by LEDs	Battery energy indicated by LEDs
	Buttons for nurse operating the bed movement	Buttons for nurse operating the bed movement
	Safety design: lock all of the operation buttons after 10 seconds no use.	Safety design for all of the buttons valued by pressing the COM button together.
	Urgent stop: "STOP" button.	
	One button movement function	

DIMENSIONS



JCHI35

JCHN35A

ORDER KEY EXAMPLE

JCHI35 - 4 - 9s - G - X

- ▶ Only if special option
- ▶ Colour (G: grey)
- ▶ Plug (see page 56)
- ▶ Number of the controlled actuators/columns totally
- ▶ Type (JCHI35, JCHN35A)

HAND/FOOT CONTROLS

JCHR35B JCHR35C JCHR35D JCHR35E

FEATURES

- RF wireless remotes controls



JCHR35B



JCHR35C



JCHR35D

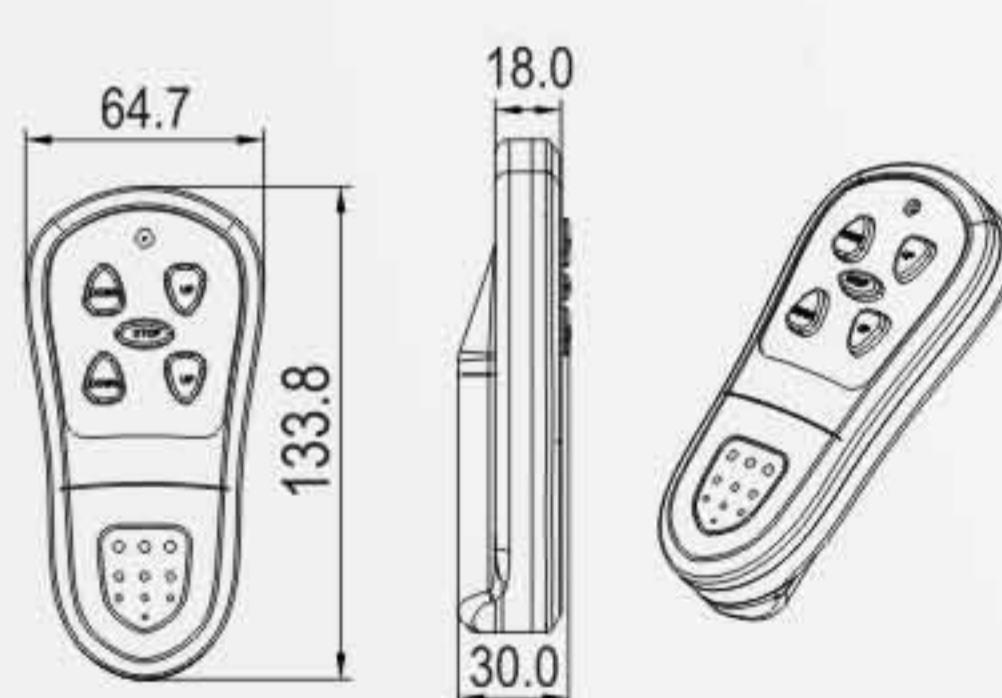


JCHR35E

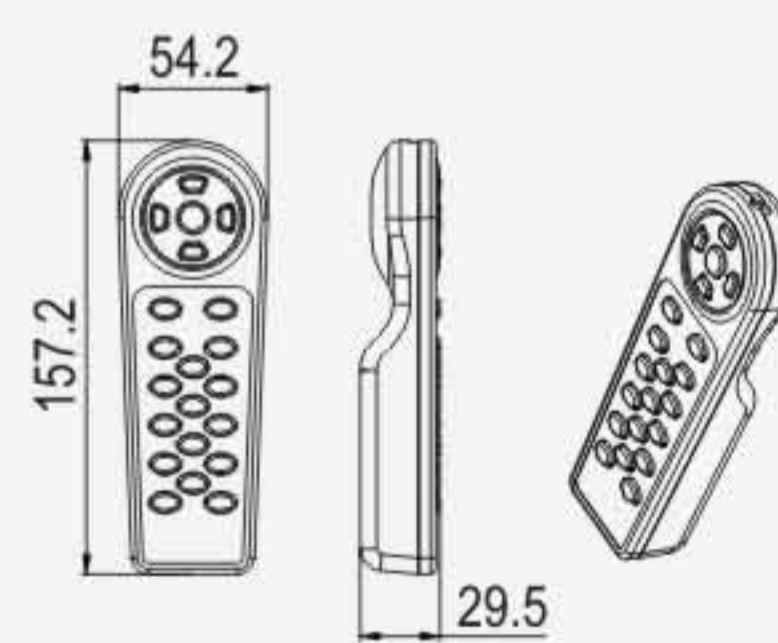
SPECIFICATIONS

	JCHR35B	JCHR35C	JCHR35D	JCHR35E
Actuator Quantity	For 1-2 actuators	For 1-4 actuators	For 1 actuator	For 1-3 actuators
Colour	Grey	Black or Grey	Black	Black
IP Degree	IP20			
Connection	All kinds of the JIECANG control boxes with RF receiver			
Other features	Have Up, Down and Stop buttons	Nice design for relax bed with back, foot, night light and massage motor functions and position management.		

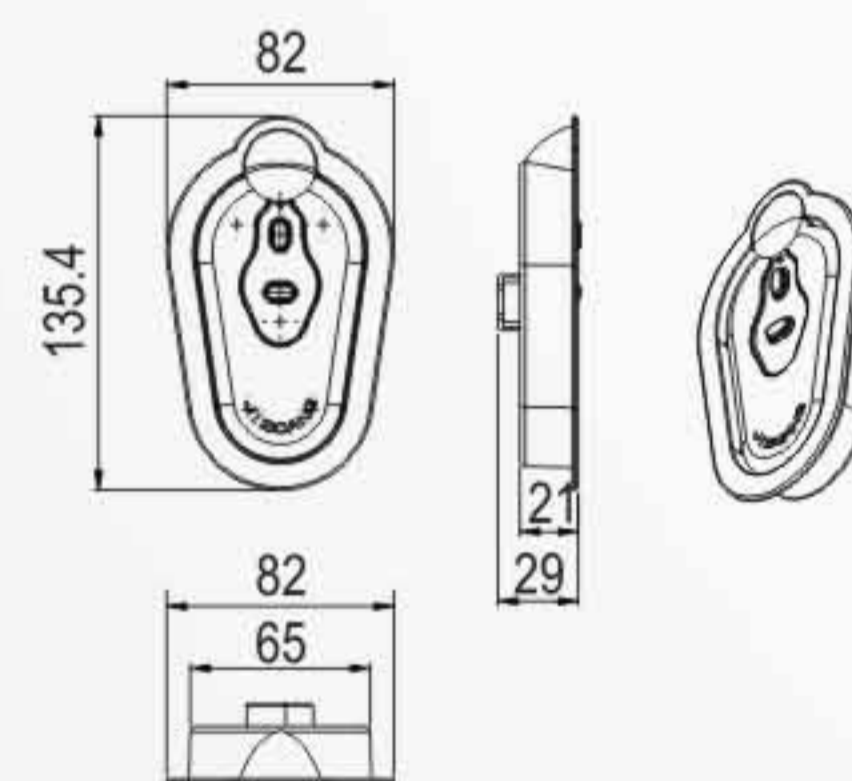
DIMENSIONS



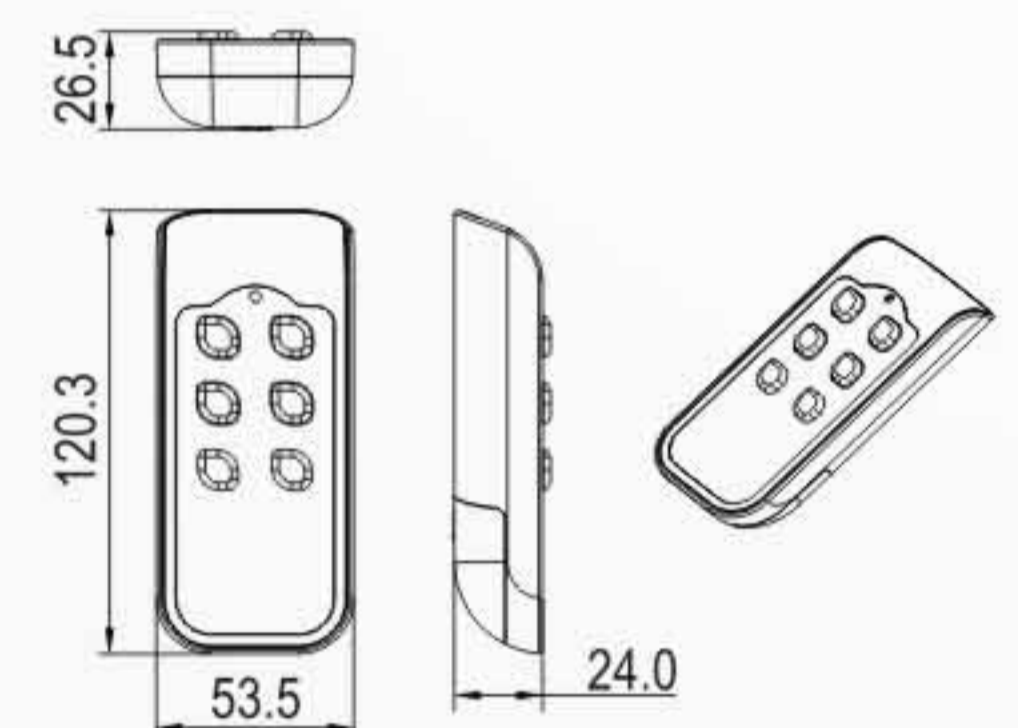
JCHR35B



JCHR35C



JCHR35D



JCHR35E

ORDER KEY EXAMPLE

JCHR35B - 1 - G - X

- ▶ Only if special option
- ▶ Colour (G: grey, B: black)
- ▶ Number of the button pairs
- ▶ Type (JCHR35B, JCHR35C, JCHR35D, JCHR35E)

MAIN-CUT JCP35A SMPS JCP35PA-50 JCP35PA-40

FEATURES

- Power supply devices with low standby consumption
- (less than 0.5 W)



JCP35A



JCP35PA-50

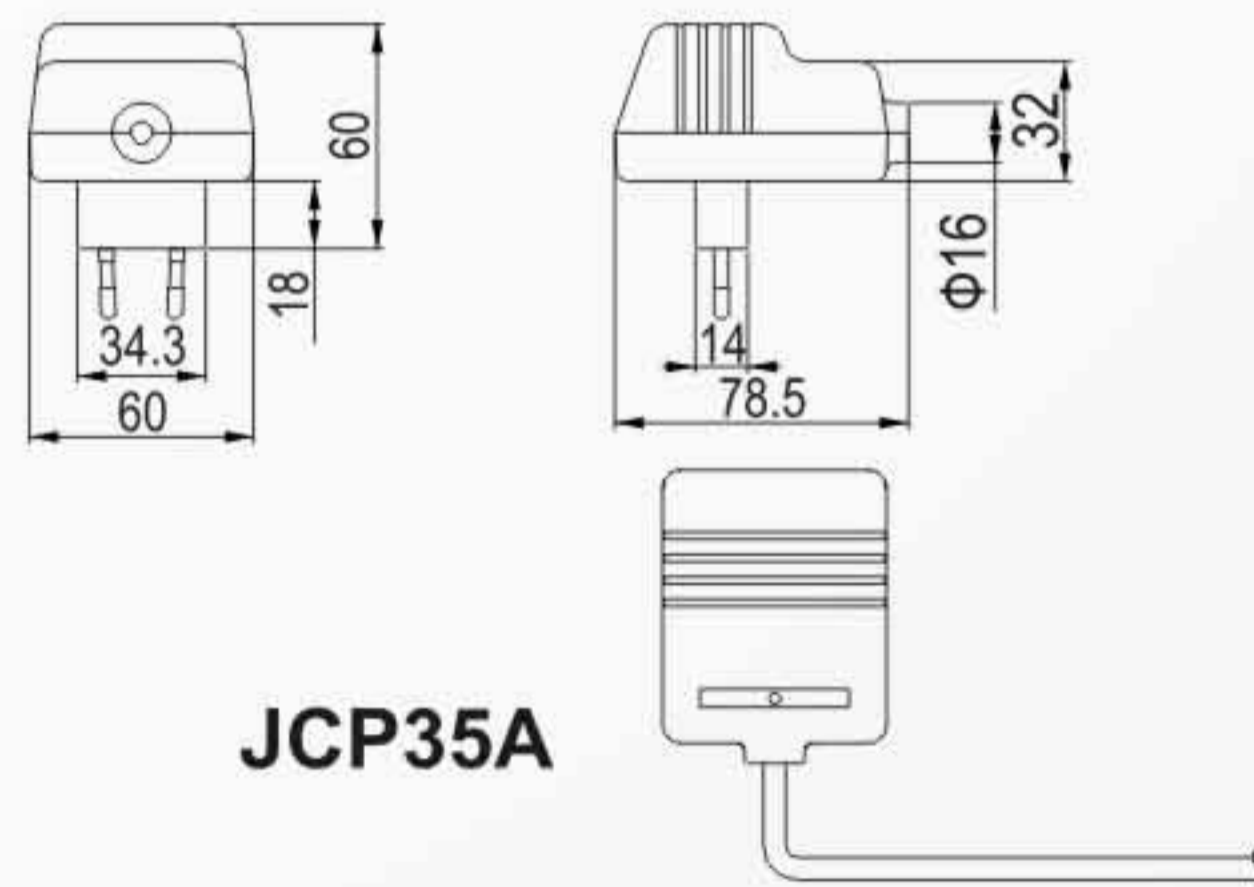


JCP35PA-40

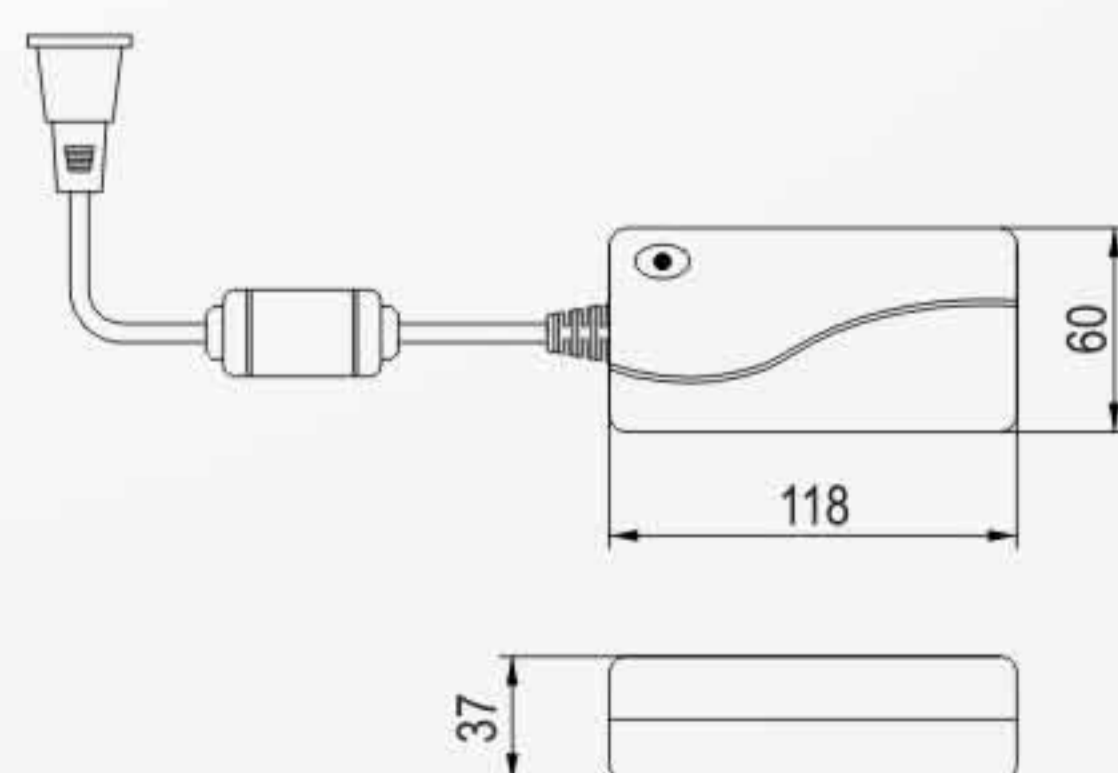
SPECIFICATIONS

	MAIN-CUT JCP35A	SMPS JCP35PA-50	JCP35PA-40
Input Voltage	230VAC/50Hz	100-240VAC/50-60Hz	100-240VAC/50-60Hz
Output Voltage (VDC)	match with control box	29	29
Output power (Watts)	match with control box	50	40
Power Plug	C type (see page 56)	Option (see page 56)	C type (see page 56)
Colour	Black or Grey		
Connected control box	JIECANG control boxes	JIECANG control boxes or relay free version	
Output connector	Directly connects with the power cable of the control box	01s (see page 56)	
Stand by consumption	Less than 0.5 W		
Duty cycle	10%, max, 2min. continuous use		
Overload Protection	Yes		
IP Grade	IP54		
Ambient temperature	+5°C - + 40°C		
Standard	CE		

DIMENSIONS



JCP35A

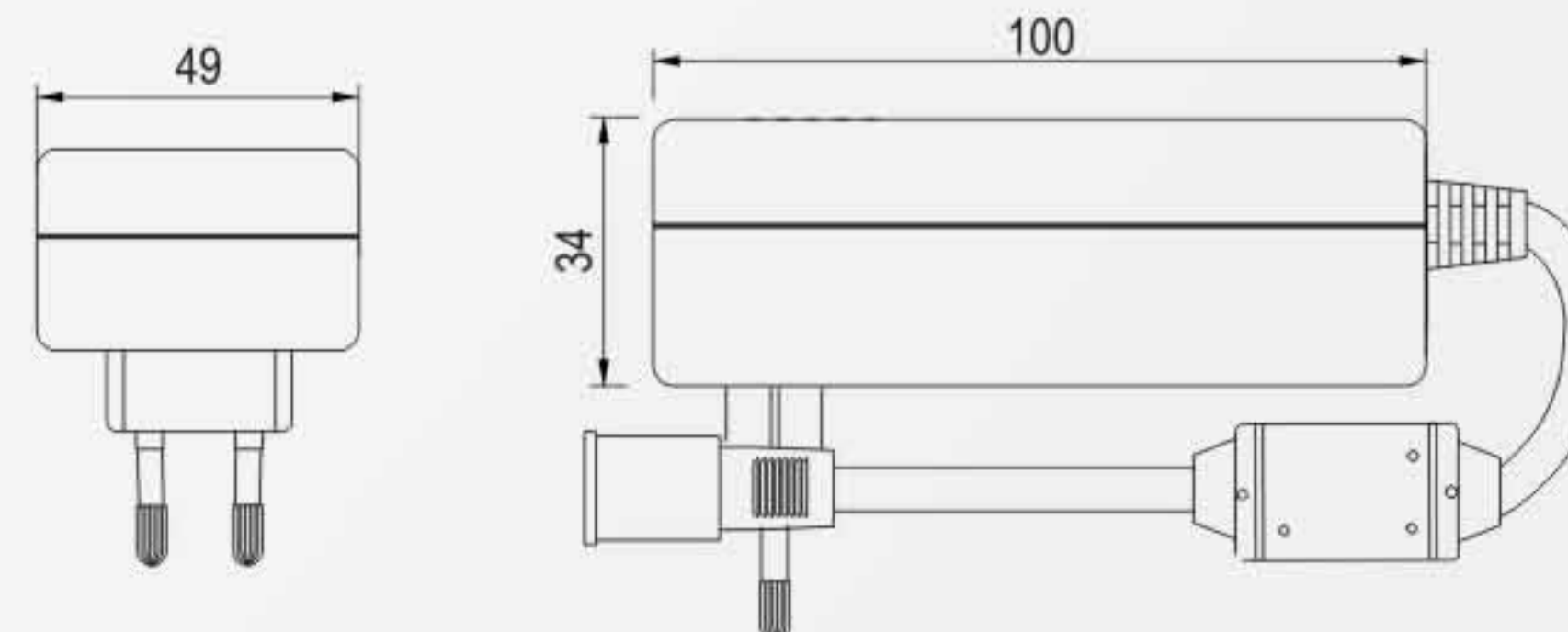


JCP35PA-50

ORDER KEY EXAMPLE

JCP35A - 230 - C - G - X

- Control box's order key
- Colour (G: grey, B: black)
- Power plug (see page 56)
- Input voltage (VAC)
- Type (JCP35A, JCP35PA-40, JCP35PA-50)



JCP35PA-40

ACCESSORIES

NIGHT LIGHT JCP35E-LED



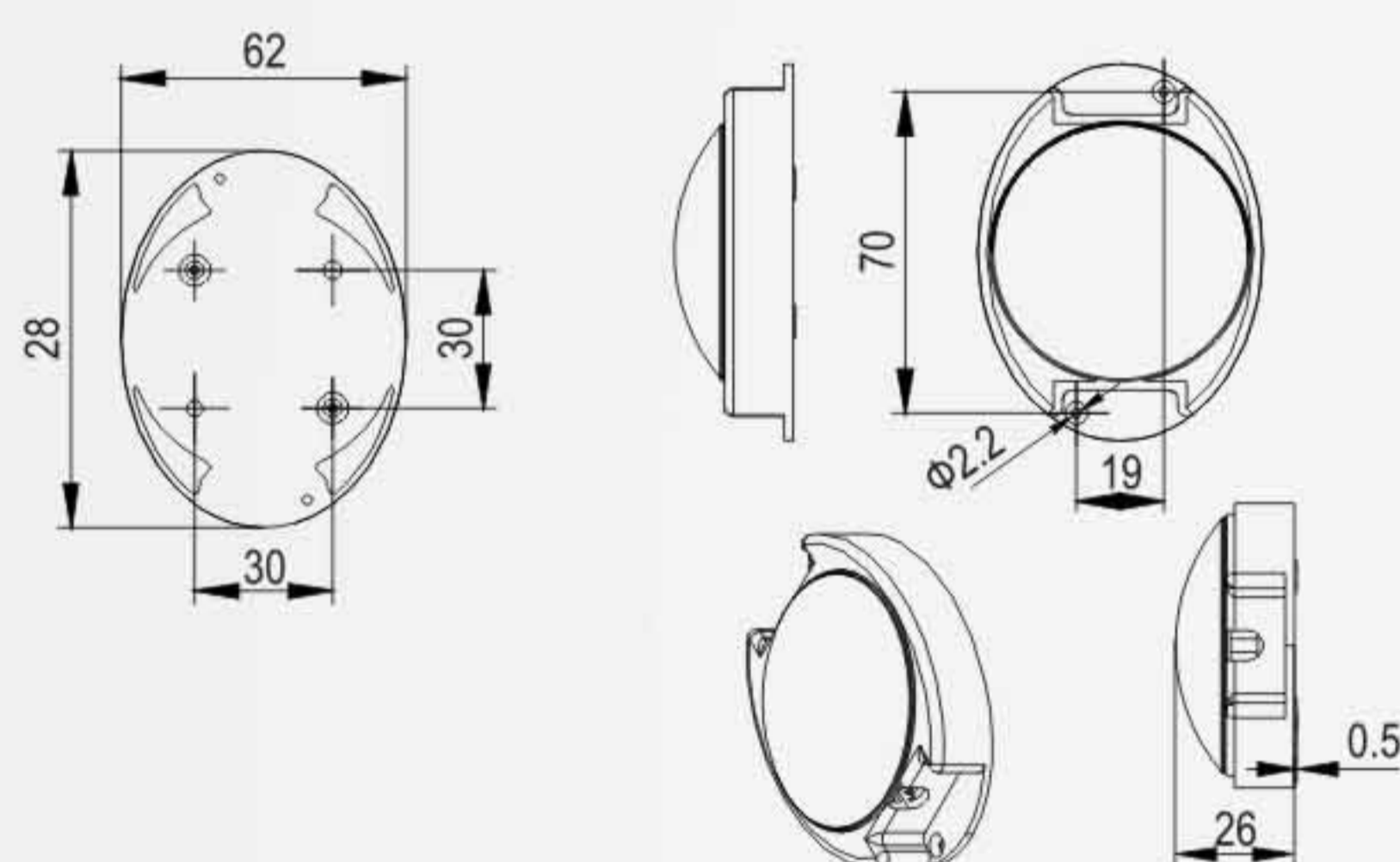
FEATURES

- JCP35E-LED is night light mounted under the bed for patient or elder man in the night
- It is connected on the handset connector of any JIECANG control box

SPECIFICATIONS

Plug	Option (see page 56)
Colour	Black
Cable	Straight cable
IP Degree	IP20
Connection	To handset connector of JIECANG control boxes
Other feature	White LED light, for patient safety at night

DIMENSIONS



ORDER KEY EXAMPLE

JCP35E-LED - 9b - G - X

- Only if special option
- Colour (B: black)
- Power plug (see page 56)
- Type (JCP35E-LED)

CONNECTION BOX JCP35Z



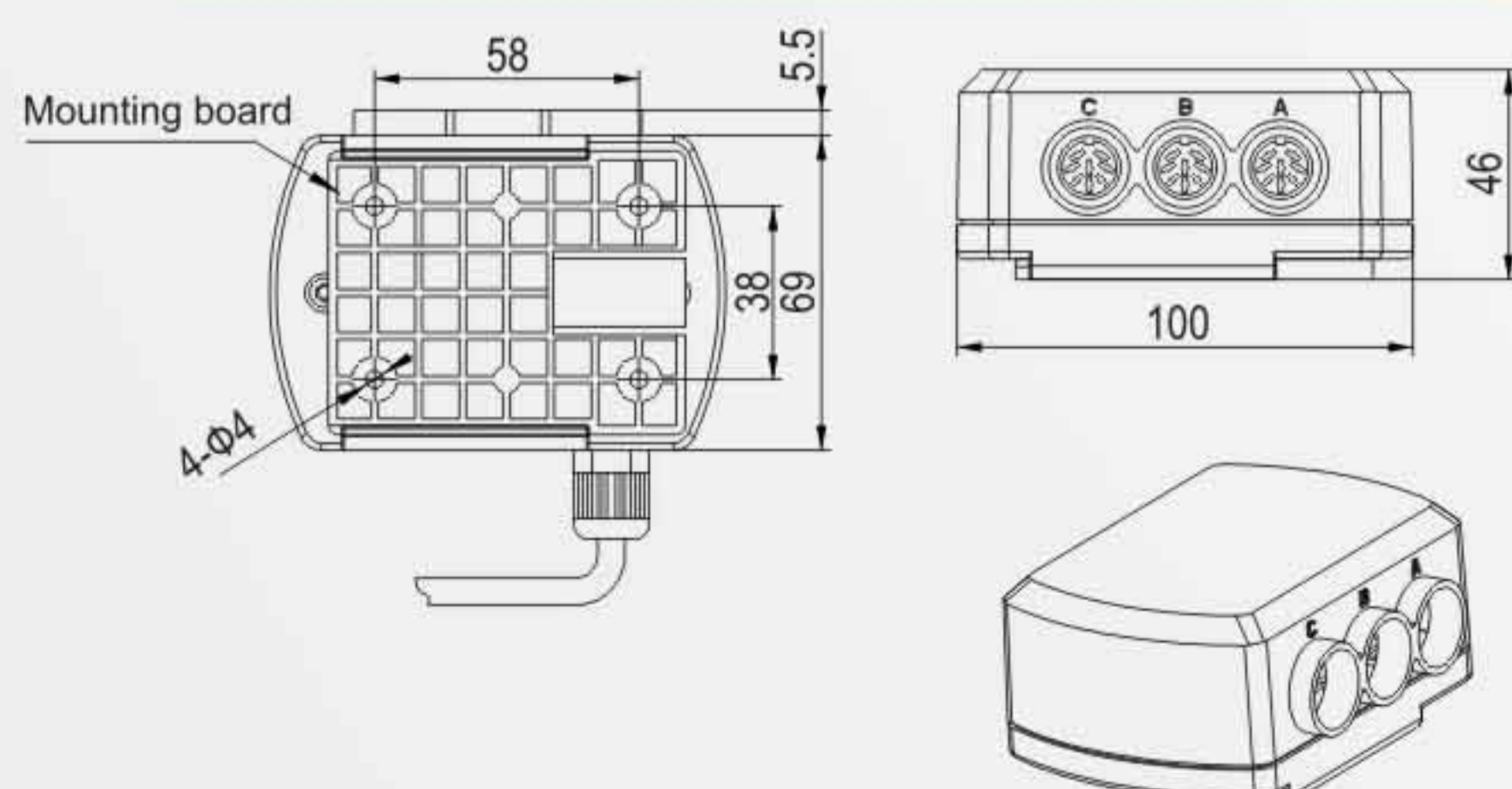
FEATURES

- Connection box JCP35Z is designed to use where there is up to 3 hand/foot controls to be connected to the control box

SPECIFICATIONS

Plug to control box	Option (see page 56)
Connector to hand/foot controls	Option (see page 56)
Number of the hand/foot controls	1-3 controls
Colour	Black or Grey

DIMENSIONS



ORDER KEY EXAMPLE

JCP35Z - 9s - 9s - 3 - B - X

- Only if special option
- Colour (G: grey, B: black)
- Number of the hand/foot controls
- Connector to match with hand/foot controls (see page 56)
- Plug to control box (see page 56)
- Type (JCP35Z)

SIDERAIL JCP35H03

FEATURES

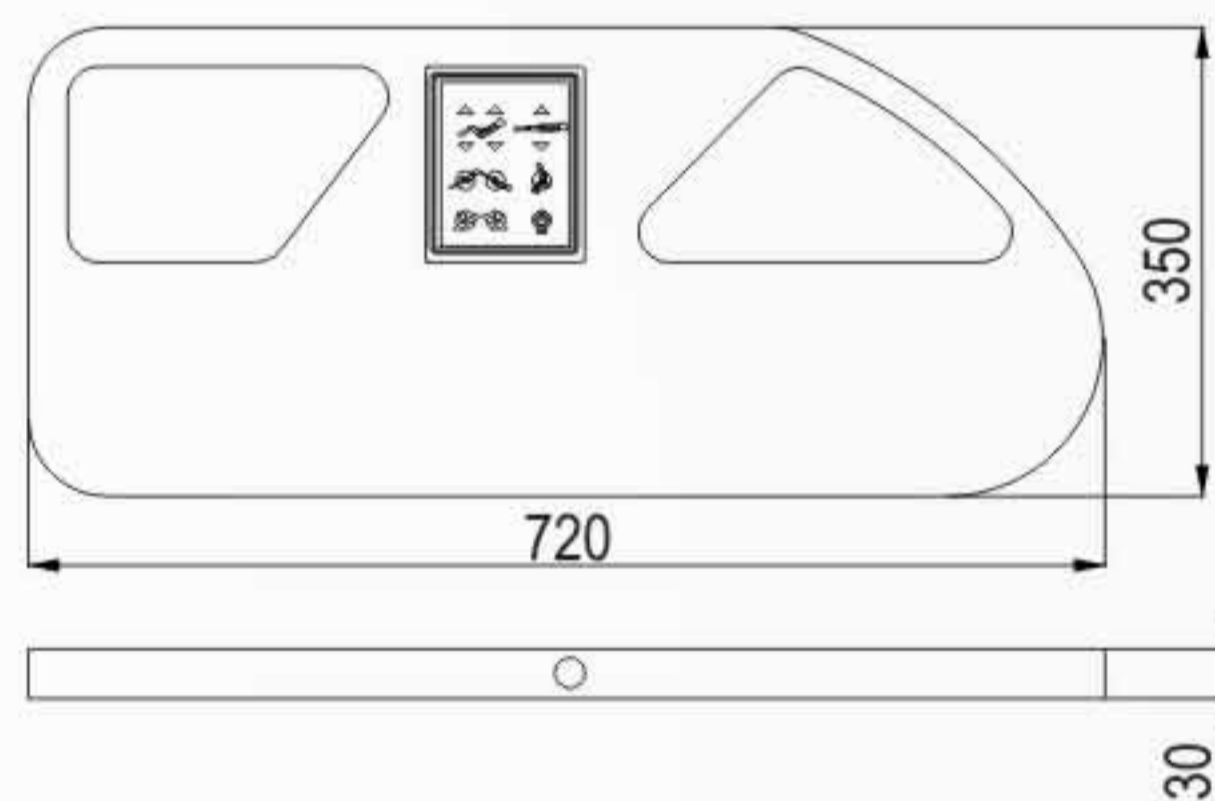
- Siderail special designed for hospital bed
- Operation panel can be customized design
- Match with JIECANG control box



SPECIFICATIONS

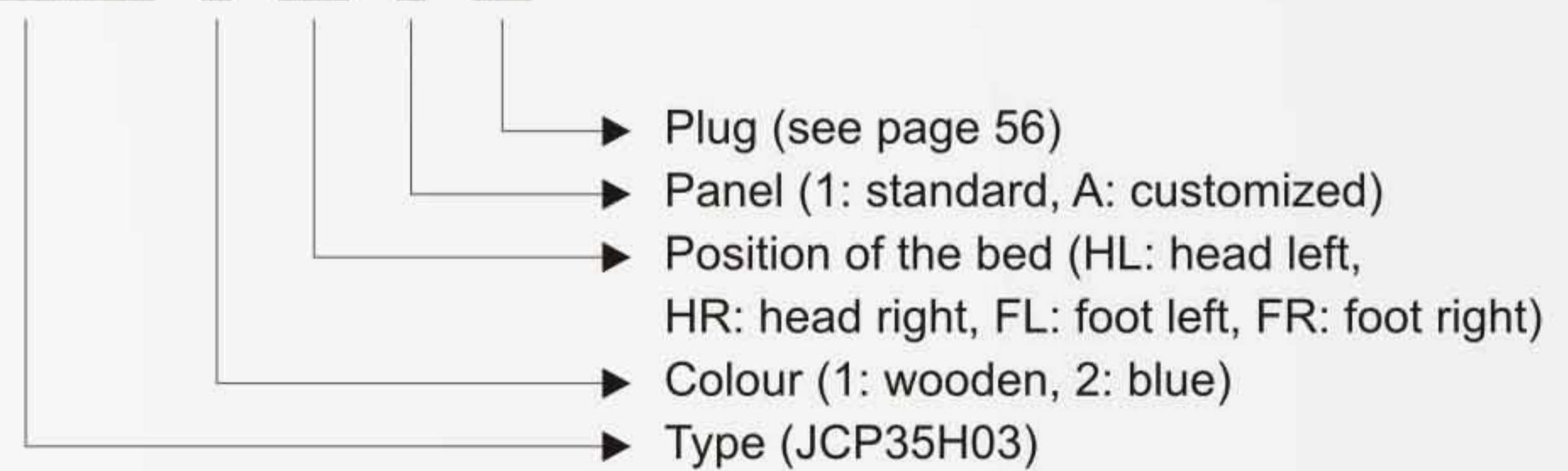
Colour	Wooden/blue colour on surface (option)
Position of the bed	There are 4 pcs siderails in one bed. They are head left, head right, foot left and foot right siderails.
Panel design	Standard and also customized option
Plug	9s/13s(option, see page 56)
Material	PE
Cable	Coiled cable (see page 07)

DIMENSIONS



ORDER KEY EXAMPLE

JCP35H03 - 1 - HL - 1 - 9s



HEADBOARD JCP35J01

FEATURES

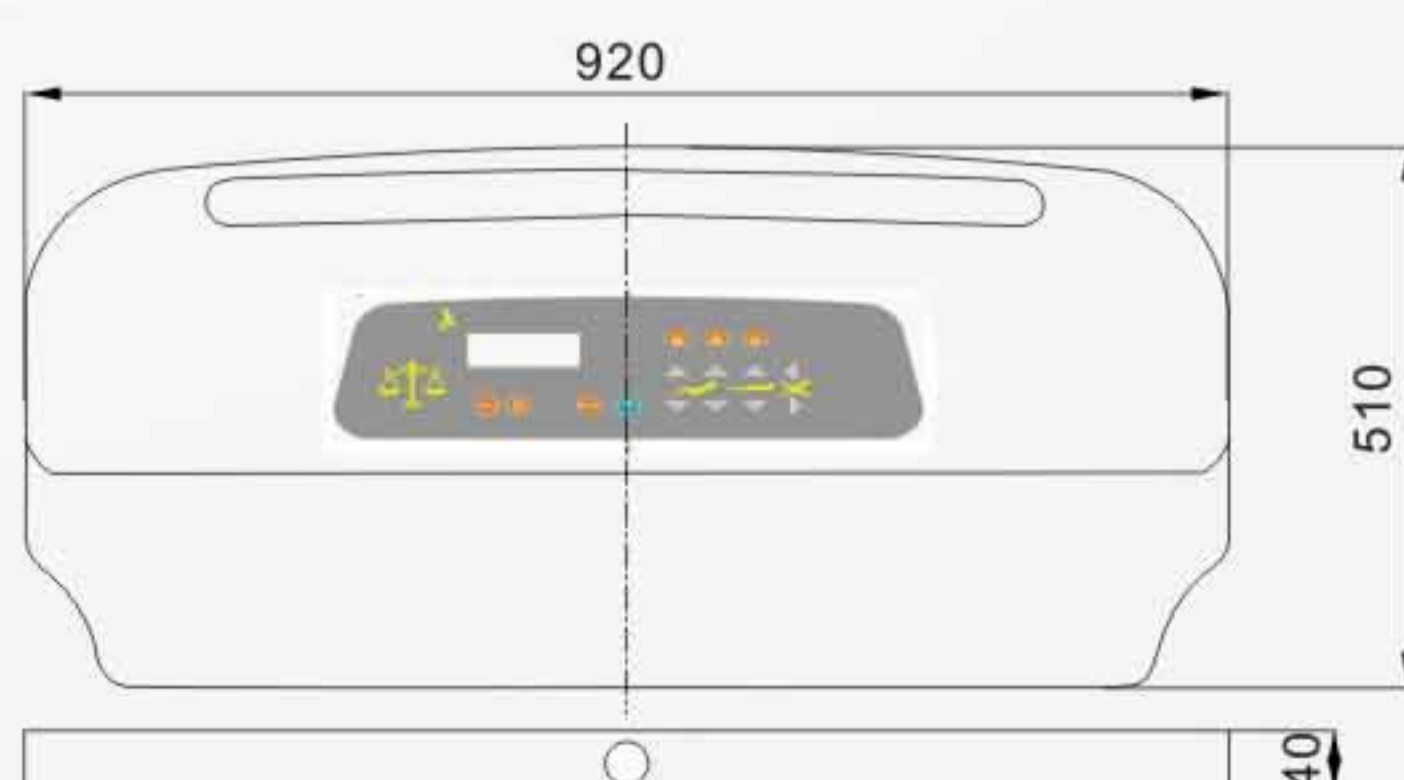
- Headboard special designed for hospital bed
- On the foot side headboard, there can be mounted with scale display and operation panel



SPECIFICATIONS

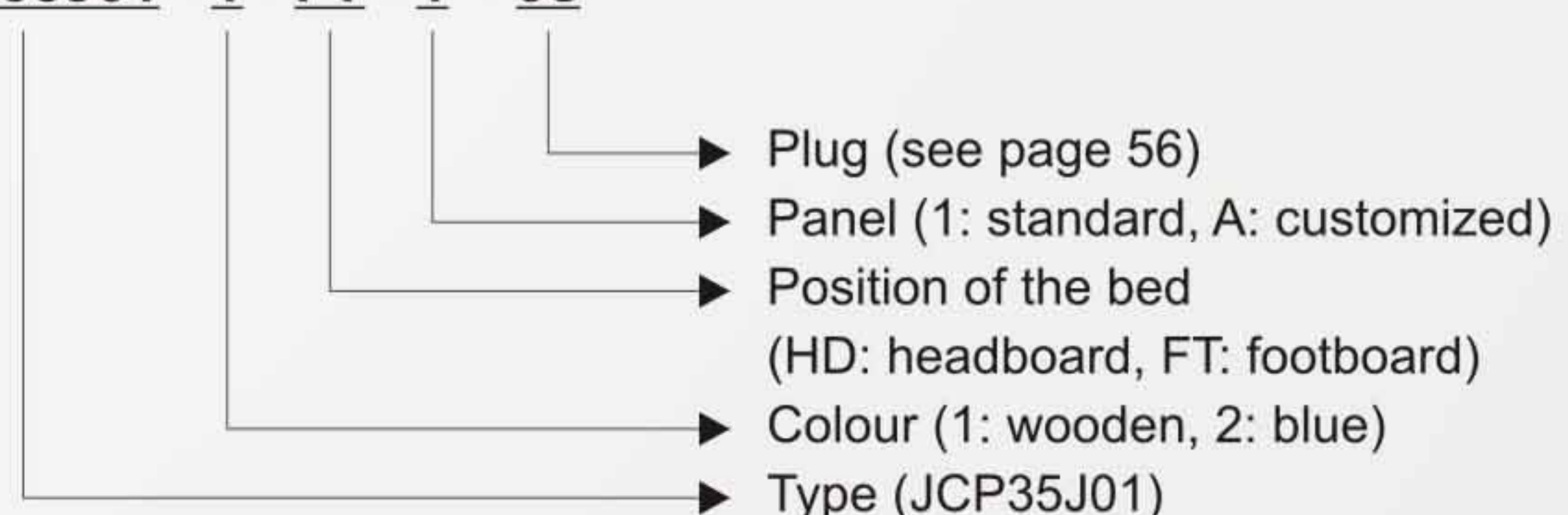
Colour	Wooden/blue on surface (option)
Complete set	There are 2 pcs headboards in one bed.
Panel design	Standard and also customized design
Plug	9s/13s (see page 56)
Material	PE
Cable	Straight cable

DIMENSIONS



ORDER KEY EXAMPLE

JCP35J01 - 1 - FT - 1 - 9s



ACCESSORIES

PLUGS

Actuator/Column plugs, Control box plugs and Hand/Foot -Controls plugs are listed as followings:

Actuator/Column plugs



4b



4s



6s



6m



4sd



01s(relay free version)



rf (relay free version)

Hand/Foot Control plugs



9b



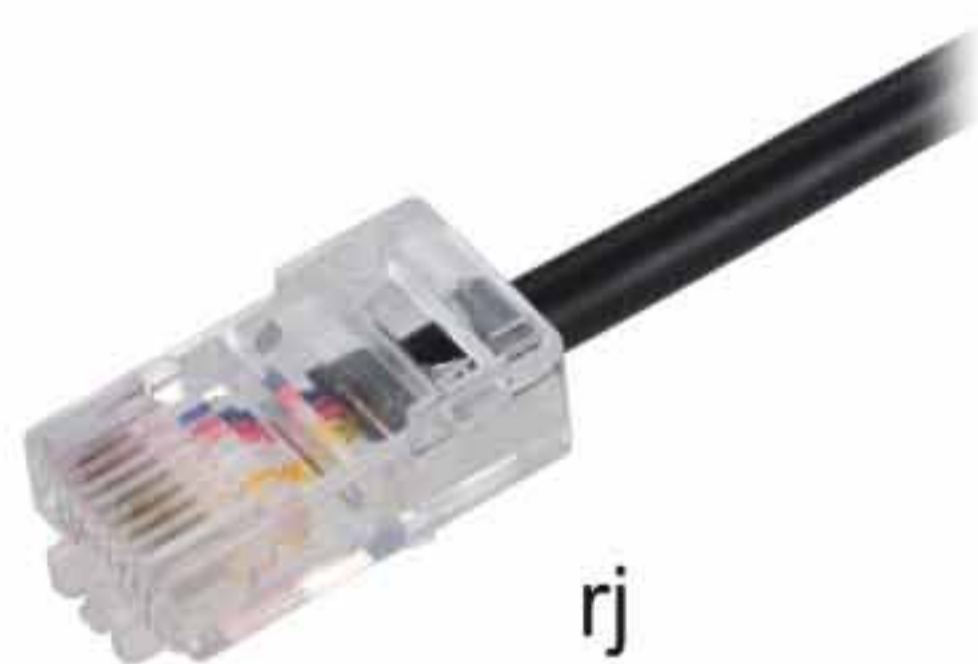
9sd



9s



13s



rj



rf (relay free version)

Power-Supply Plugs



EF type



C type



G type

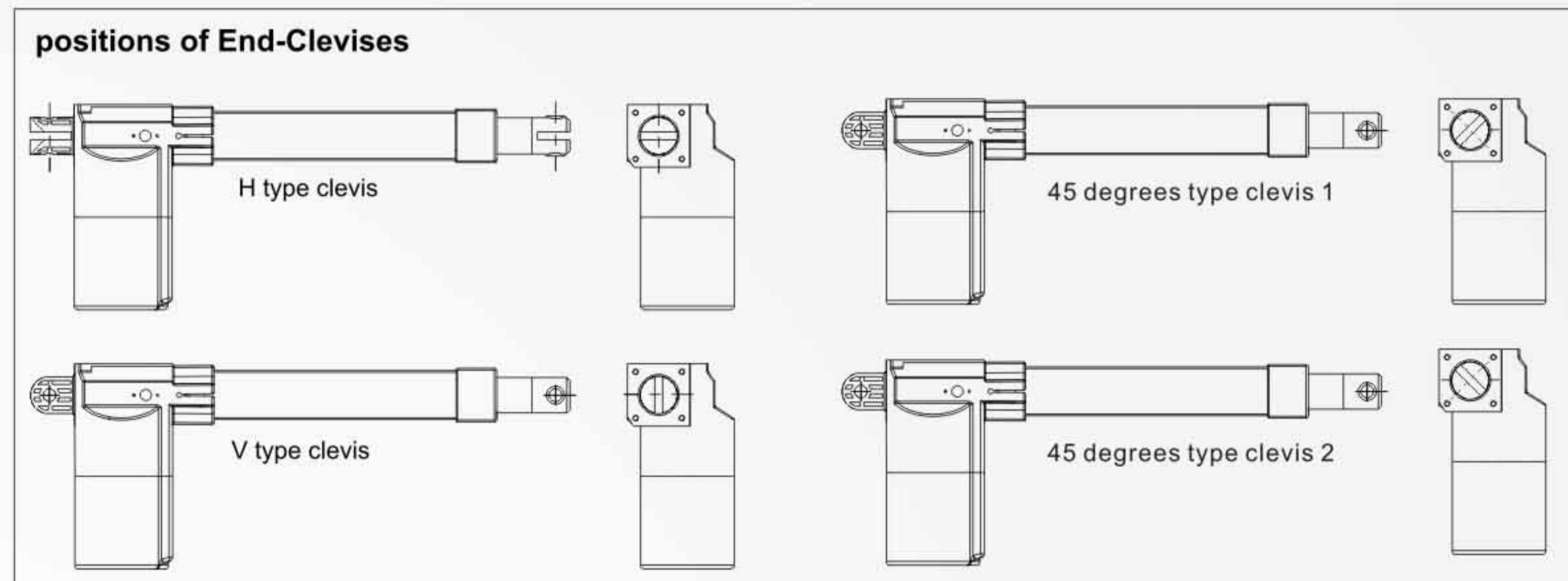


J type

ADDITIONAL INFORMATION

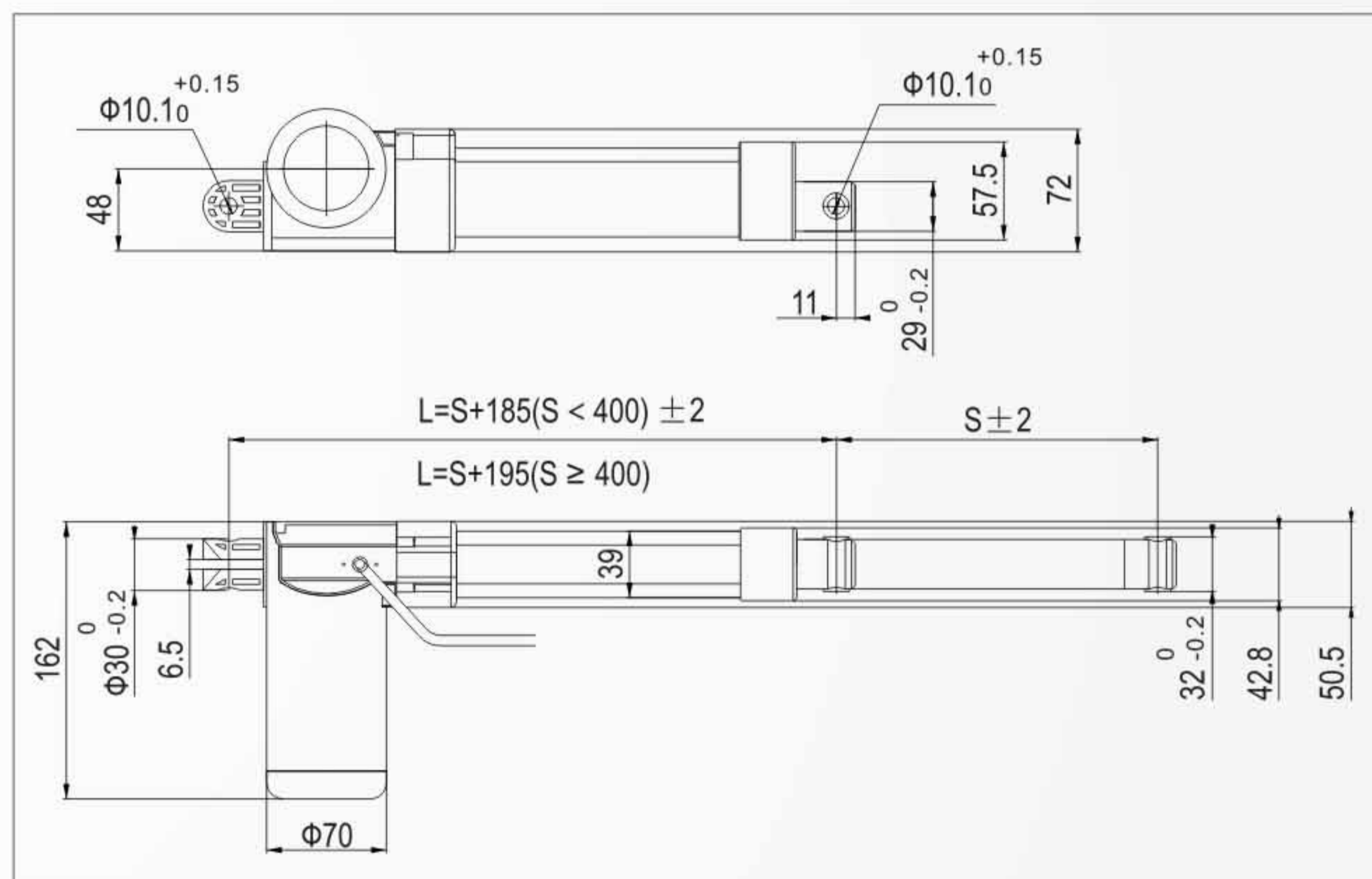
TOP-END-CLEVIS

Position of the Top-End-Clevis: Position of the Top-End-Clevis of most of the Linear Actuators can be chosen as H type (Horizontal), V type (Vertical) or 45 degrees (as following drawing).

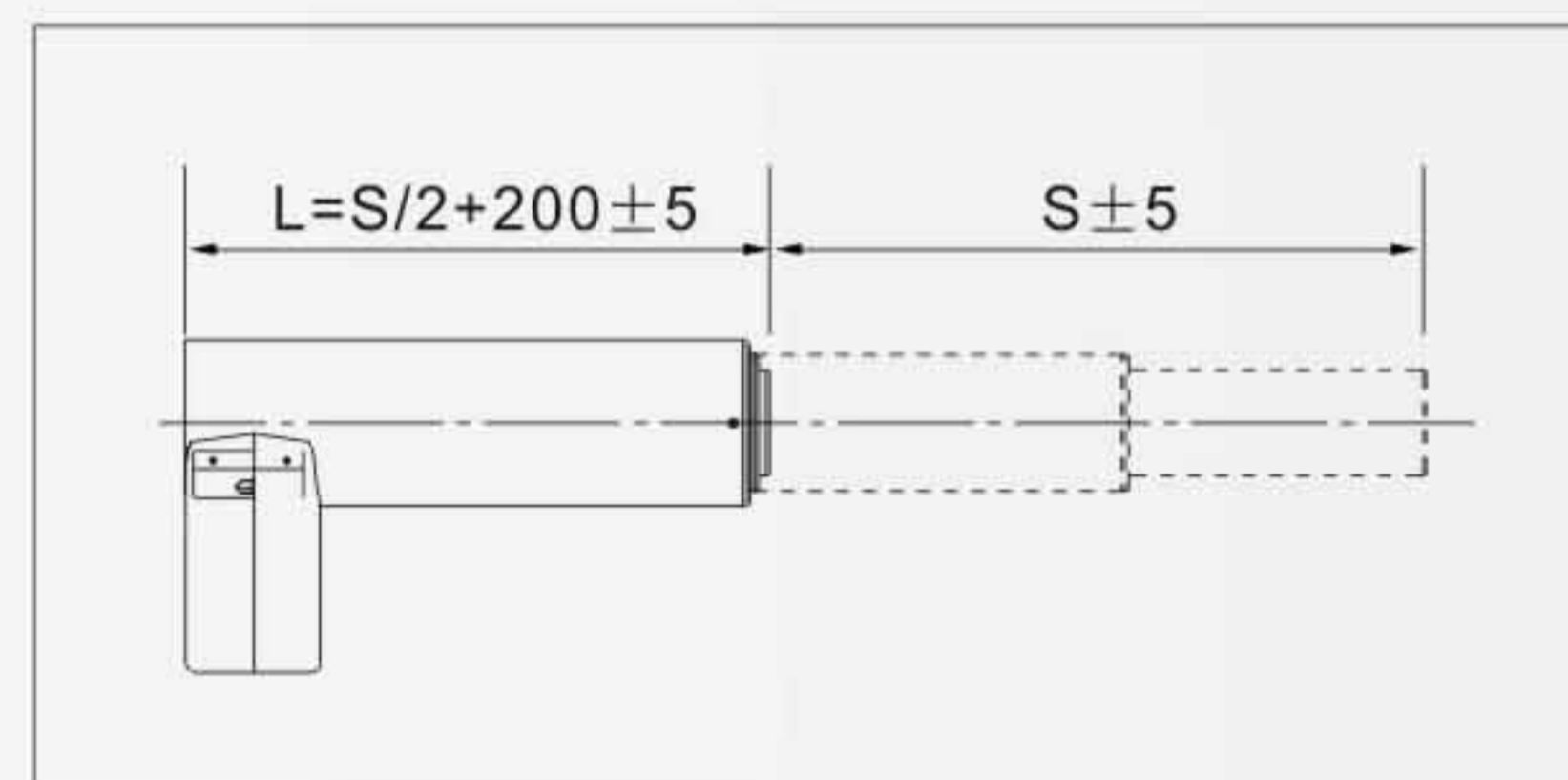


TOLERANCE

The tolerance of the stroke length, retracted length, mounting hole, mounting clevis outer diameter of the actuators is listed as following.

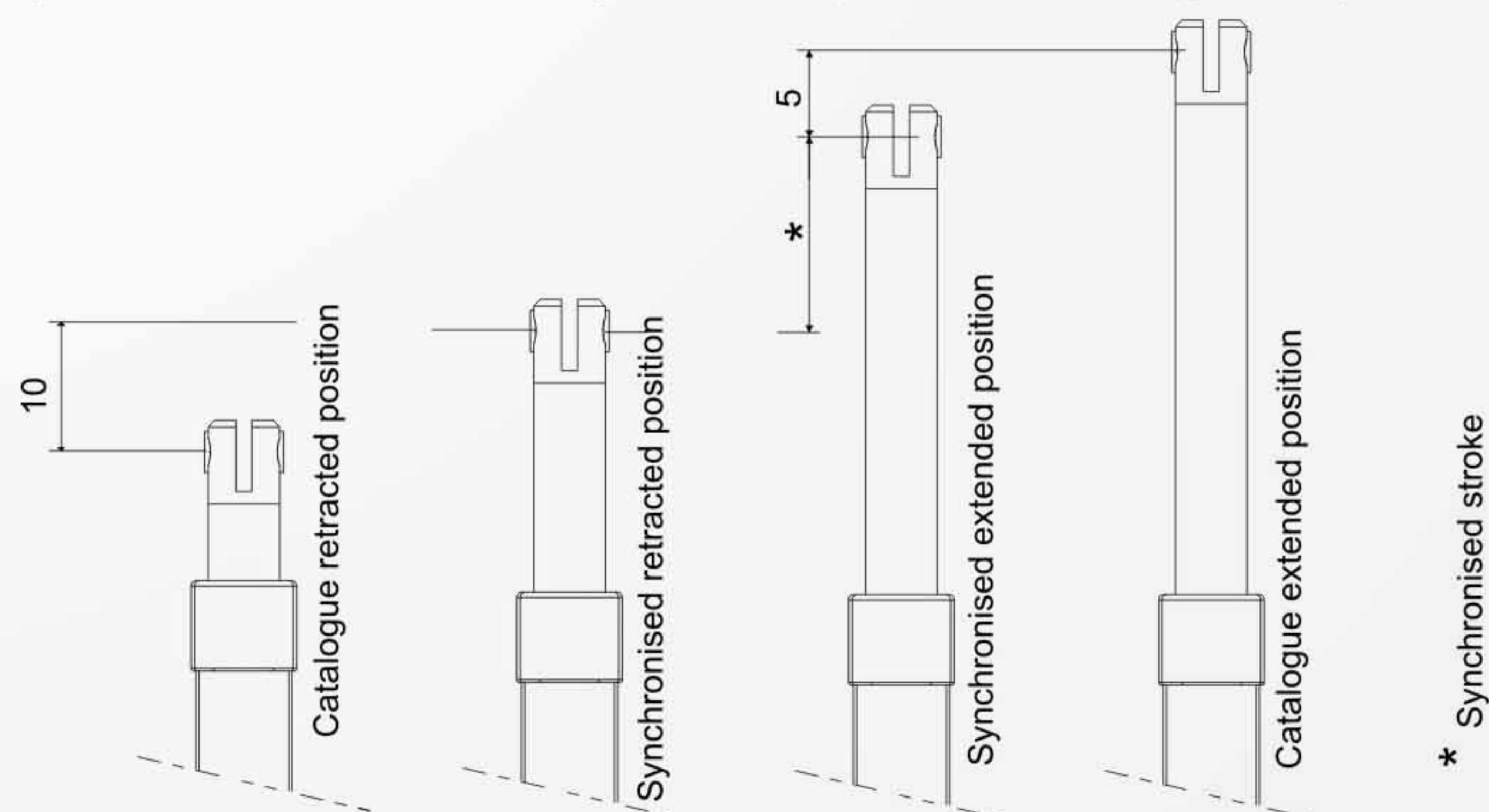


The tolerance of the stroke length, retracted length of the columns is listed as following.



SYNCHRONISED STROKE

Synchronized stroke is reduced by 15 mm compared to the ordering stroke (as following drawing).



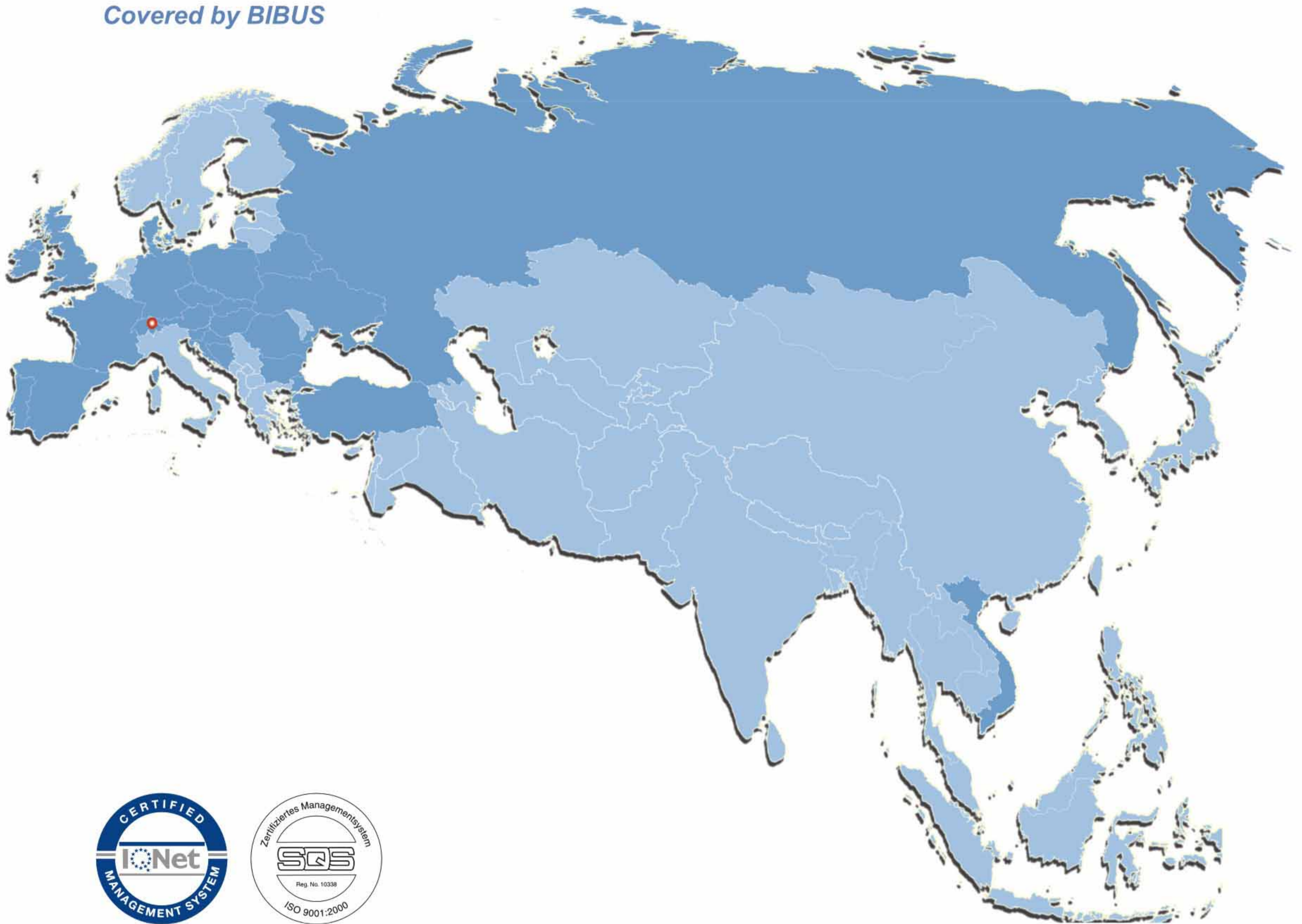


Sales Network

www.bibus-technology.com

The BIBUS sales network is the link between our manufacturing plants and the customers. Jiecang co-operates with experienced product managers from BIBUS on their local markets. Many years of trading partnerships are based on continuity and trust. In this way we achieve the best possible conditions for our customers. The BIBUS core competences are Engineering, Logistics and Service. Over 70 years of experience in the areas of mechatronics, pneumatics, hydraulics, and environmental technology have made BIBUS to one of the leading product and solution provider in Europe.

Covered by BIBUS



BIBUS locations

 *Switzerland Headquarter*

BIBUS AG

Allmendstrasse 26
8320 Fehraltorf
Switzerland
Tel. +41 44 877 50 11
Fax +41 44 877 50 19
E-mail: info.bag@bibus.ch
www.bibus.ch

 *Austria*

BIBUS Austria GmbH

Eduard Klinger-Strasse 12
AT-3423 St. Andr Waldern
Tel. +43 2242 33 388
Fax +43 2242 33 388 10
E-mail: info@bibus.at
www.bibus.at

 *Belarus*


BIBUS (BY) COOO

8th Per. Ilyicha 13a, office 2.1
BY-246013 Gomel
Tel. +375 232 39 09 10
Fax +375 232 39 59 02
E-mail: info@bibus.by
www.bibus.by

 *Bulgaria*

BIBUS Bulgaria Ltd.

2 Blvd. Prof. Tzvetan Lazarov, Floor 2
1574 SOFIA
Tel. +359 2 971 98 08
Fax +359 2 927 32 64
E-mail: info@bibus.bg
www.bibus.bg

 *Croatia*

BIBUS Zagreb d.o.o.

Anina 91
HR-10000 Zagreb
Tel. +385 1 381 80 04
Fax +385 1 381 80 05
E-mail: bibus@bibus.hr
www.bibus.hr

 *Czech Republic*

BIBUS s.r.o.

Videnska 125
CZ-639 27 Brno
Tel. +420 5 47 125 300
Fax +420 5 47 125 310
E-mail: bibus@bibus.cz
www.bibus.cz

 *Denmark*


A/S H. SINDBY & Co

Bommerhavevej 41, Sælde
DK-7100 Vejle
Tel. +45 75 88 21 22
Fax +45 75 88 22 40
E-mail: sindby@sindby.dk
www.sindby.dk

 *France*

BIBUS France S.A.S.

ZI du Chapotin
233, rue des Fr eres Voisin
FR-69970 Chaponnay
Tel. +33 4 7896 80 00
Fax +33 4 7896 80 01
E-mail: contact@bibusfrance.fr
www.bibusfrance.fr

 *Germany*

BIBUS GmbH

Lise-Meitner-Ring 13
DE-89231 Neu-Ulm
Tel. +49 731 20 76 90
Fax +49 731 20 76 96 20
E-mail: info@bibus.de
www.bibus.de

 *Great Britain*

BIBUS (UK) Ltd

20 Soho Mills
GB-Wooburn Green HP10 0PF
Tel. +44 1628 533 300
Fax +44 1628 533 377
E-mail: info@bibus.co.uk
www.bibus.co.uk

 *Hungary*

BIBUS Kft

Ujhegyi ut 2
HU-1103 Budapest
Tel. +36 1 265 27 33
Fax +36 1 264 89 00
E-mail: info@bibus.hu
www.bibus.hu

 *Poland*

BIBUS MENOS Sp. z o.o.

ul. Spadochroniarzy 18
PL-80-298 Gdansk
Tel. +48 58 660 95 70
Fax +48 58 661 71 32
E-mail: info@bibusmenos.pl
www.bibusmenos.pl

 *Portugal*

BIBUS Portugal, Lda

Rua 5 de Outubro, 5026
PT-4465-079 S.M. Infesta, Porto
Tel. +351 906 50 50
Fax +351 906 50 53
E-mail: info@bibus.pt
www.bibus.pt

 *Romania*


BIBUS SES SRL

Pestalozzi Street 22
RO-300155 Timisoara
Tel. +40 256 200 500
Fax +40 256 220 666
E-mail: office@bibus.ro
www.bibus.ro

 *Russia*


BIBUS o.o.o.

Izmailovsky prospect 2A
RU-190005 St. Petersburg
Tel. +7 812 251 62 71
Fax +7 812 251 90 14
E-mail: info@bibus.ru
www.bibus.ru

 *Slovakia*

BIBUS SK s.r.o.

Trnavska 31
949 01 Nitra
Tel. +421 37 777 79 11
Fax +421 37 777 79 19
E-mail: sale@bibus.sk
www.bibus.sk

 *Slovenia*

INOTEH d.o.o.

K  eleznici 7
SI-2345 Bistrica ob Dravi
Tel. +386 2 665 11 31
Fax +386 2 665 20 81
E-mail: info@inoteh.si
www.inoteh.si

 *Spain*

BIBUS SPAIN, S.L.

Poligono Industrial Porto do Molle
Rua do Arroncal Vial C-Nave 4A
36350 Nigran
Tel. +34 986 24 72 86
Fax +34 986 20 92 47
E-mail: info@bibus.es
www.bibus.es

 *Turkey*

BIBUS Otomasyon San. ve Tic. Ltd. Sti.

Hadi Nasir Hani No. 49 Kat: 2
TR-34425 KARAK  / ISTANBUL
Tel. +90 212 293 82 00
Fax +90 212 249 88 34
E-mail: info@bibus.com.tr
www.bibus.com.tr

 *Ukraine*

BIBUS Ukraine TOV

Ul. Mashinobudivnykiv 5a
UA-08162 Chabany, Kyiv region
Tel. +380 44 545 44 04
Fax +380 44 545 54 83
E-mail: info@bibus.com.ua
www.bibus.com.ua

 *Vietnam*

BIBUS Vietnam Co Ltd.

80 NGUYEN T  Thanh Street, District 4
Ho Chi Minh City
Tel. +84 4 626 164 11
Fax +84 4 626 164 39
E-mail: info@bibus.vn
www.bibus.vn

Passion for quality, excellence in motion.

ZHEJIANG JIECANG LINEAR MOTION TECHNOLOGY CO.,LTD

Addr: Provincial High Tech Park, Xinchang County,
Zhejiang Province, China

Post code: 312500

Tel: +86-575-86298598

Fax: +86-575-86297960

Web: www.jiecang.com

All designs, dimensions and specifications are subject
to change without notice. © jiecang 2012