

## Bolt couplings

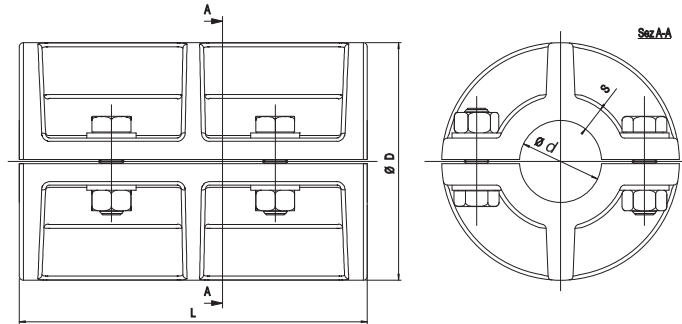
The bolt coupling is a rigid coupling. It is made of two halves, which are cast iron grade GG25 connected by means of bolts. It is maintenance and lubrication free. Additionally, its construction prevents fretting corrosion and allows for easy mounting and dismounting.

The bolt coupling is designed to connect horizontal shafts with similar diameters. If different application, contact our technical

department.

The indicated torque values refer to couplings without keyways. To transmit higher torques it is possible to machine keyways by following DIN 6885/1.

The values of the torque have been calculated with a coefficient of friction equal to 0,15 and with a screw tightening torque according to the indicated value (DIN 912 - 8.8).



Size	d [mm]	D [mm]	L [mm]	S [mm]	Type of screws	Nr. screws	n <sub>max</sub> [min <sup>-1</sup> ]	M <sub>s</sub> [Nm]	M <sub>T</sub> [Nm]	
									Without keyway	With keyway
20	20	74	110	5,5	M8	4	3098	25	20	25
25	25	74	115	6,5	M8	4	3098	25	20	40
30	30	96	145	8	M10	4	2388	49	35	60
35	35	103	158	7	M10	4	2226	49	40	80
40	40	116	174	7	M12	4	2029	86	65	100
45	45	113	190	7	M12	4	1976	86	75	125
50	50	120	205	7	M12	6	1910	86	120	150
55	55	140	220	11	M14	6	1637	135	200	600
60	60	140	242	13	M14	6	1637	135	215	850
65	65	150	250	13	M14	6	1528	135	235	1250
70	70	160	260	15	M14	6	1433	135	255	1700
80	80	185	279	16	M14	6	1239	135	290	2500
90	90	210	310	20	M16	8	1091	210	310	3800
100	100	225	343	20	M16	8	1019	210	600	5400
110	110	250	390	22	M24	8	920	710	-	7500
120	120	275	430	27,5	M24	10	870	710	-	11000
125	125	275	430	25	M24	10	870	710	-	11000
140	140	325	490	35	M27	10	800	1050	-	15000
160	160	365	560	40	M27	12	750	1050	-	23000

### Order form

Coupling

GB 100

GB: bolt coupling

Size

n <sub>max</sub>	Maximum rpm	min <sup>-1</sup>
M <sub>s</sub>	Screw tightening torque	Nm
M <sub>T</sub>	Transmissible torque moment	Nm

### GB

