

# Series RPGB sprue grippers

## Size 8, 12mm

New version

Angular, not self-centering, single-acting, Normally Open  
 Models: Flat Finger, Short Finger, Flat Finger with sensor



- » Suitable for plastic injection molding sector
- » Easy to install
- » Compact and lightweight
- » Wear resistant
- » Models RPGB-08-D and RPGB-12-D are supplied with sensor CSD-362 already mounted

The external design, the choice of materials and the search for miniaturization makes Series RPGB a compact and lightweight solution. The D model is provided with a finger having a slot for the installation of a magnetic sensor which is able to detect the grip of the piece.

Its technical features ensure a high gripping force and make this gripper particularly suitable in the removal of injection molded items. The surface treatments on each metallic part make this series very wear resistant.

### GENERAL DATA

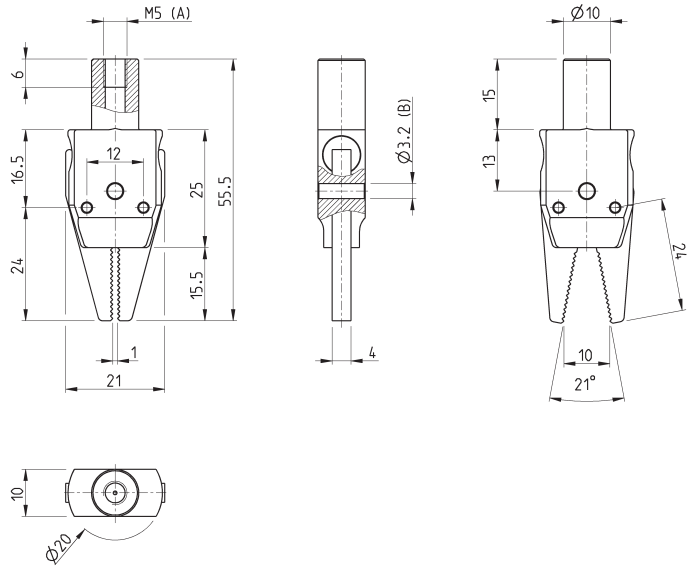
<b>Operation</b>	single-acting, Normally Open
<b>Materials</b>	anodized aluminium body and fingers, HNBR seals
<b>Working pressure</b>	2.5 bar ÷ 8 bar
<b>Working temperature</b>	0°C ÷ 60°C
<b>Max frequency</b>	3 Hz
<b>Lubrication</b>	Not necessary
<b>Air ports</b>	M5
<b>Media</b>	Filtered air, class 6.8.4 according to ISO 8573-1, without lubrication
<b>Size</b>	8, 12 mm
<b>Weights</b>	15 g (size 8) - 50 g (size 12)
<b>Gripping torque at 6 bar</b>	25 Ncm (size 8) - 90 Ncm (size 12)
<b>Opening torque at 6 bar</b>	2 Ncm (size 8) - 5 Ncm (size 12)
<b>Gripping force at 6 bar</b>	7 N (size 8) - 30 N (size 12)
<b>Closing time without load</b>	10 ms
<b>Opening time</b>	30 ms

**CODING EXAMPLE**

<b>RPGB</b>	-	<b>12</b>	-	<b>A</b>
-------------	---	-----------	---	----------

<b>RPGB</b>	SERIES
<b>12</b>	SIZE: 08 = ø 8 mm 12 = ø 12 mm
<b>A</b>	TYPE OF CONSTRUCTION: A = Flat finger C = Short finger with mounting holes for extensions D = Flat finger with sensor mounted (Mod. CSD-362)

## Flat finger gripper Mod. RPGB-08-A - dimensions

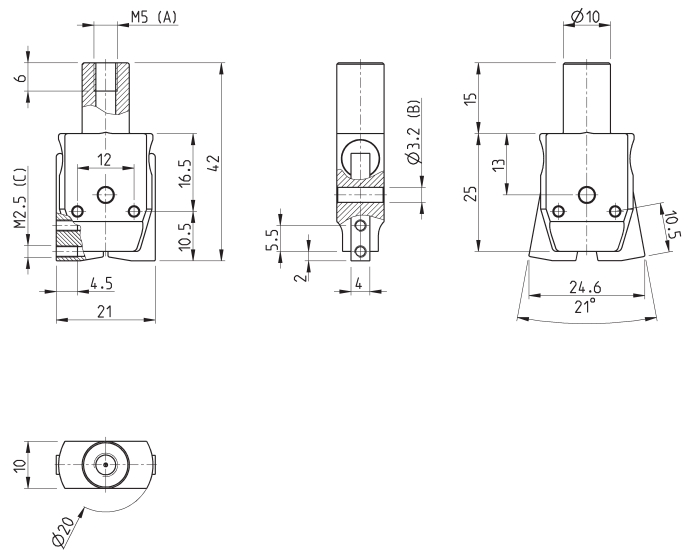


A = port connection  
B = mounting hole

Mod.

**RPGB-08-A**

## Short finger gripper Mod. RPGB-08-C - dimensions



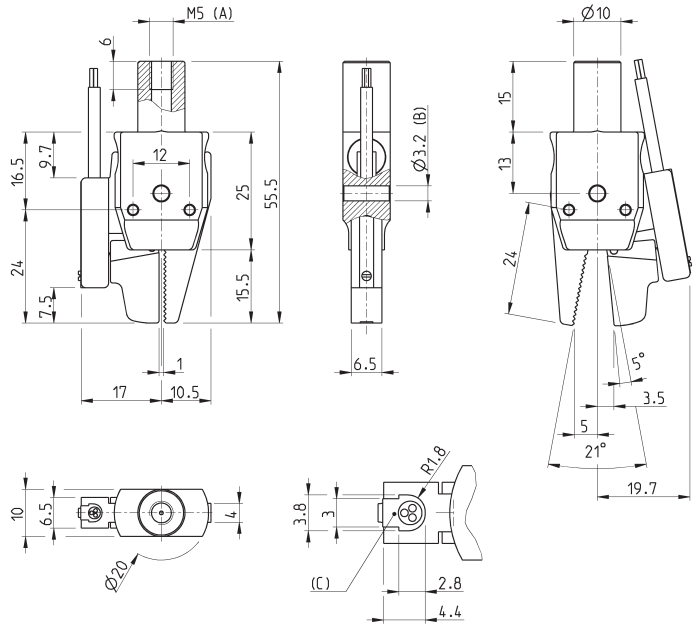
A = port connection  
B = mounting hole  
C = mounting thread

Mod.

**RPGB-08-C**

Flat finger gripper with sensor slot Mod. RPGB-08-D - dimensions

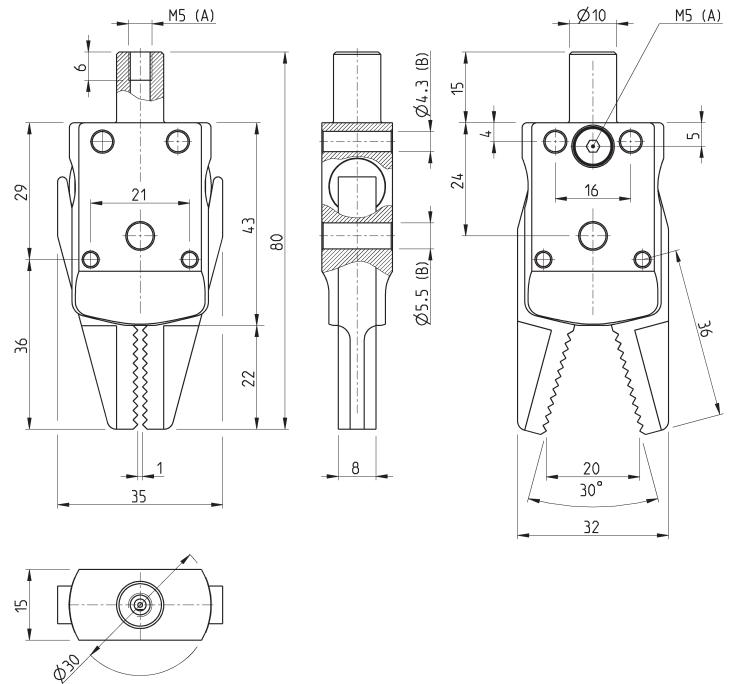
This model is supplied with sensor CSD-362 mounted.



A = connection port  
B = mounting hole  
C = sensor groove

Mod.  
RPGB-08-D

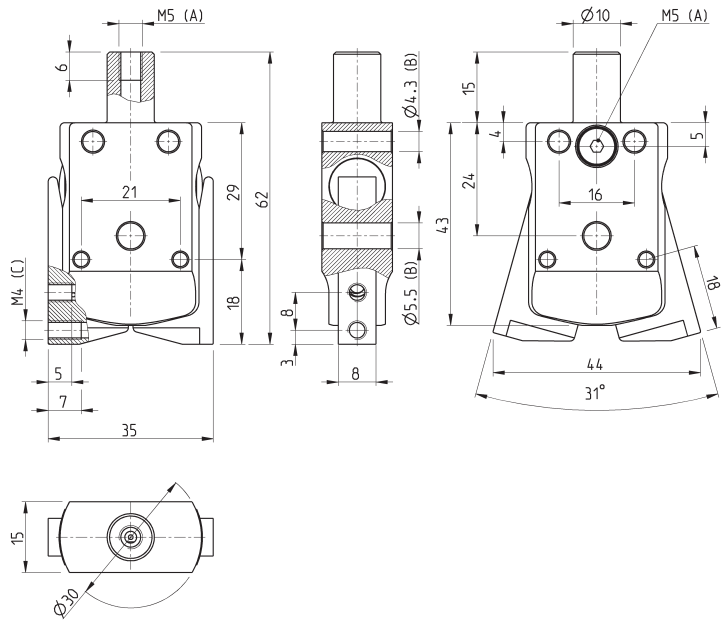
Flat finger gripper Mod. RPGB-12-A - dimensions



A = port connection  
B = mounting holes

Mod.  
RPGB-12-A

## Short finger gripper Mod. RPGB-12-C - dimensions



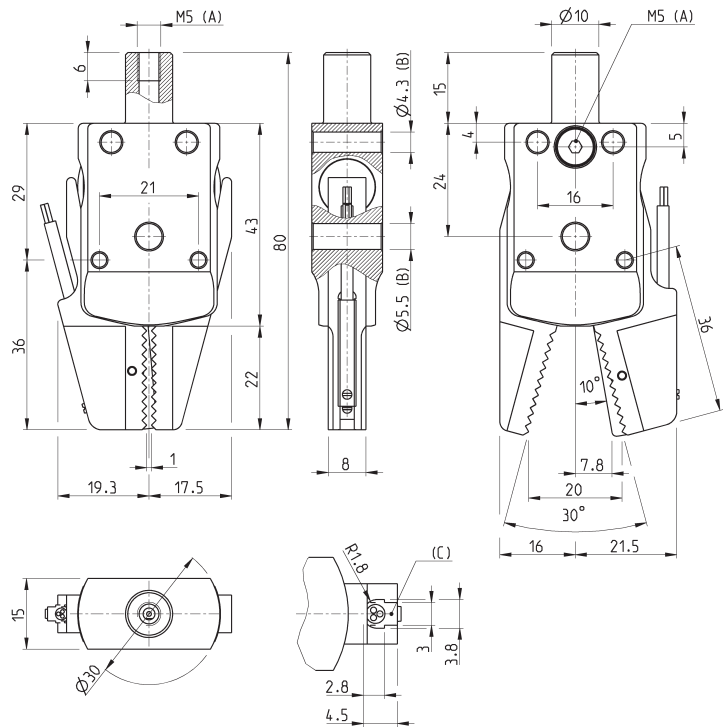
A = port connection  
 B = mounting holes  
 C = mounting thread

Mod.

RPGB-12-C

## Flat finger gripper with sensor slot Mod. RPGB-12-D - dimensions

This model is supplied with sensor CSD-362 mounted.

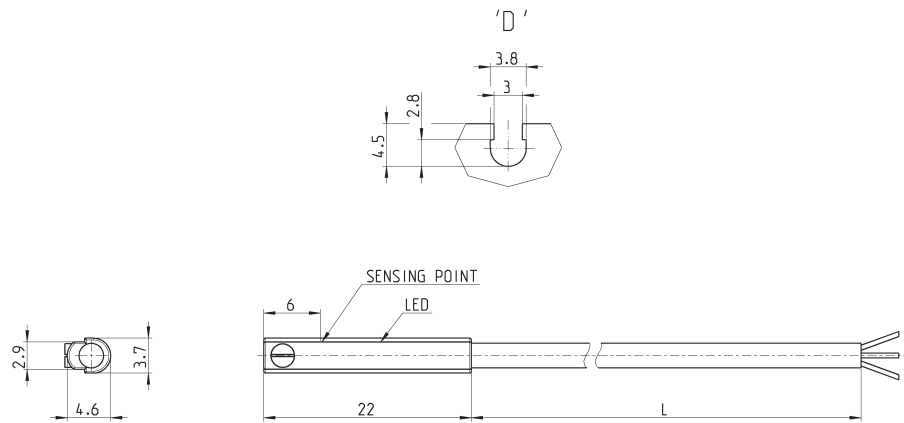


A = port connection  
 B = mounting hole  
 C = sensor groove

Mod.

RPGB-12-D

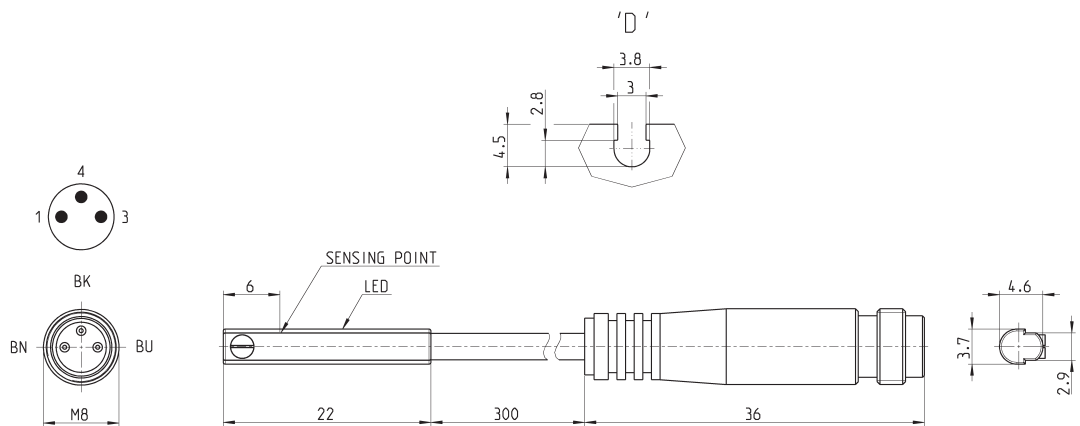
Series CSD magnetic proximity switches with 3-wire cable



Mod.	Operation	Connections	Voltage	Output	Max. current	Max Load	Protection	L = length cable
<b>CSD-332</b>		3 wires	10 ÷ 27 DC	PNP	200 mA	6W	Against polarity reversing and overvoltage	2 m

Series CSD magnetic proximity switches with male connector M8

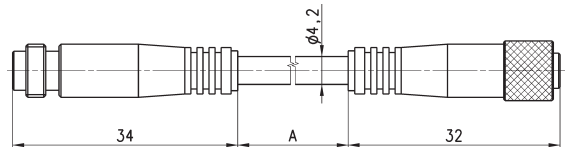
Length cable 0,3 mt.



Mod.	Operation	Connection	Voltage	Output	Max. current	Max load	Protection
<b>CSD-362</b>		3 wires with M8 connector	10 ÷ 27 DC	PNP	200 mA	6W	Against polarity reversing and overvoltage

**Extension with connector M8, 3 Pin Male / Female**

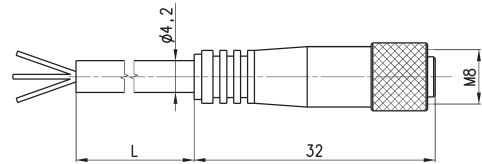
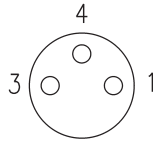
Non shielded



Mod.	cable length "L" (m)
CS-DW03HB-C250	2,5
CS-DW03HB-C500	5

**Circular connectors M8, 3 Pin Female**

 With PU sheathing, non shielded cable.  
 Protection class: IP65

 BN = Brown  
 BK = Black  
 BU = Blue


Mod.	L = cable length (m)
CS-2	2
CS-5	5
CS-10	10