

Series 5000L and 5000LT quick-release couplings for the conditioning of moulds for plastics

New 

Nominal diameters: 5, 7 mm

Couplings threads: G1/8, G1/4, G3/8



The Series 5000L and 5000LT couplings have been designed to connect tubes for water, air or oil, used within plastic injection and die casting moulds.

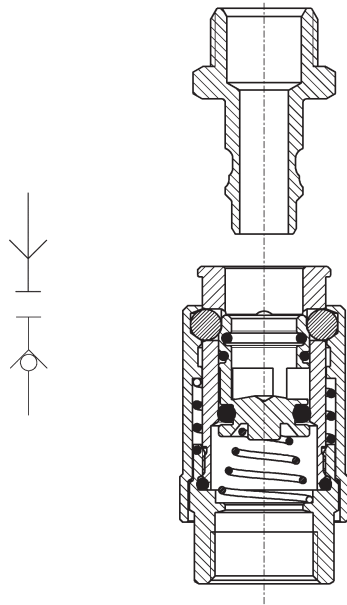
The Series 5000L and 5000LT couplings provide a quick connection and disconnection method for the replacement of heating and conditioning tubes directed towards the mould, as well as tubes coming from water collectors or sources.

- » Series 5000L couplings: without through-hole
- » Series 5000LT couplings: with through-hole

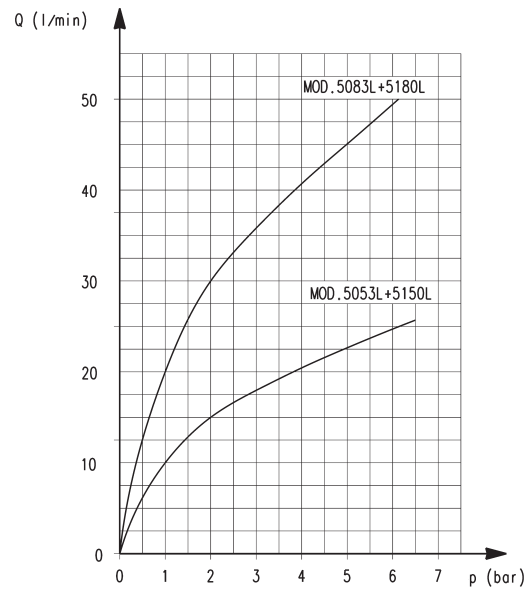
GENERAL DATA

Valve group	quick-release valve
Construction	poppet
Mounting	by means of threading
Threadings	GAS cylindrical ISO 228 (BSP)
Threads	G1/8 - G1/4 - G3/8
Materials	Internal/external parts in brass Springs and balls in stainless steel Seals in FKM
Operating temperature	-15°C + 140°C (200°C with oil)
Operating pressure	-0.99 + 12 bar
Nominal pressure	6 bar
Nominal flow	see flow diagrams on the following page
Nominal diameter	ø5 - ø7
Media	water, air and oil

Couplings type "L" - operating principle and flow diagram



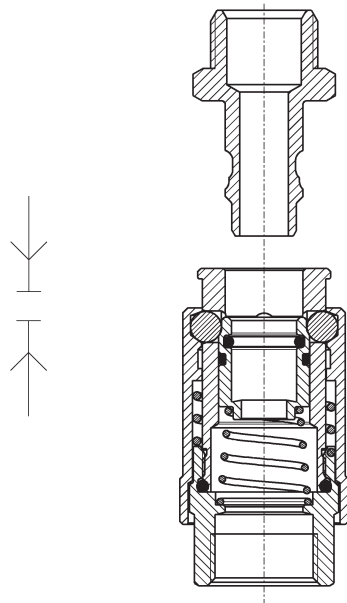
The female couplings are realized to prevent any fluid leakage during connection and disconnection.



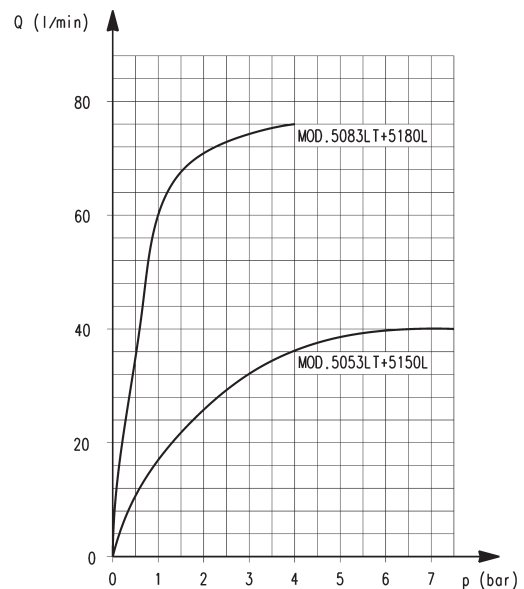
Q (l/min) = Flow
p = load loss

The diagram helps users choose the most suitable model in relation to the operating pressure and the required flow rate. The measurements were taken using the models indicated and represent the ideal max flow rate conditions. In case tubes of inferior quality are used, this might result in poorer performance.

Couplings type "LT" - operating principle and flow diagram



For applications requiring a higher flow rate, the female coupling version with through hole is available. This solution allows a higher fluid flow but doesn't prevent fluid leakage during disconnection.

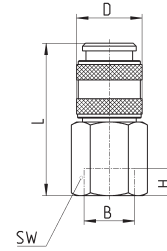


Q (l/min) = Flow
p = load loss

The diagram helps users choose the most suitable model in relation to the operating pressure and the required flow rate. The measurements were taken using the models indicated and represent the ideal max flow rate conditions. In case tubes of inferior quality are used, this might result in poorer performance.

Fittings Mod. 5053L and 5053LT

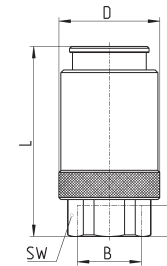
BSP female quick-coupling



Mod.	B	D	H min	L	SW	weight (g)	Symbol
5053L 1/8	G1/8	17	6	37	14	34	VNR3
5053L 1/4	G1/4	17	7	39	17	44	VNR3
5053LT 1/8	G1/8	17	6	37	14	34	VNR2
5053LT 1/4	G1/4	17	7	39	17	44	VNR2

Fittings Mod. 5083L and 5083LT

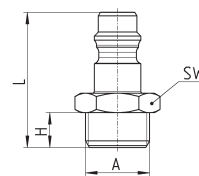
BSP female quick-coupling



Mod.	B	D	H min	L	SW	weight (g)	Symbol
5083L 1/4	G1/4	26	10	47.5	17	104	VNR3
5083L 3/8	G3/8	26	8	49	20	110	VNR3
5083LT 1/4	G1/4	26	10	47.5	17	104	VNR2
5083LT 3/8	G3/8	26	8	49	20	110	VNR2

Fittings Mod. 5150L and 5180L

Male connector



Mod.	A	H	L	SW	weight (g)
5150L 1/8	G1/8	6	26.5	13	11
5150L 1/4	G1/4	8	29	17	17
5180L 1/4	G1/4	8	34	17	21
5180L 3/8	G3/8	9	35	19	25