

# Series 6000 super-rapid fittings for plastic tubes

Tube external diameters: 3, 4, 5, 6, 8, 10, 12, 14, 16 mm  
 Fittings threads: metric (M3, M5, M6, M7), BSP (G1/8, G1/4, G3/8, G1/2, G3/4), BSPT (R1/8, R1/4, R3/8, R1/2)



Series 6000 super-rapid fittings have been designed with a special collet which provides an homogeneous tight on the whole surface of plastic tubes, thus ensuring high reliability and a long service life, also after connections and disconnections of the tube are repeated several times. The wide range of these fittings includes many types of threads: metric, BSP and BSPT.

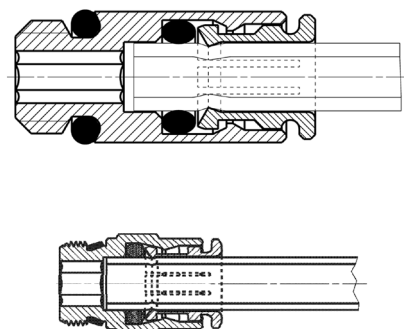
Sprint models are characterized by great reliability of female threads, both BSP and BSPT, with non-flat surfaces. This is possible thanks to a Teflon ring on the male thread, which guarantees a perfect seal between the two threads.

» The “Stop Fitting” model is available with a self-retaining device which interrupts the air flow when the tube is disconnected and restores it when reconnected.

## GENERAL DATA

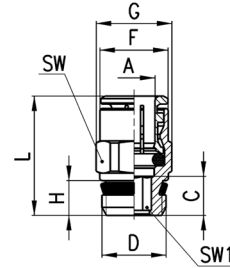
<b>Diameters</b>	ø 4 - 5 - 6 - 8 - 10 - 12 - 14 - 16 mm Micro models: ø 3 - 4 - 6 - 8 - 10 mm
<b>Threads</b>	GAS conical ISO 7 (BSPT) GAS cylindrical ISO 228 (BSP); M5-M6 and other metric threads available on request; NPT on request Micro models: M3 - M5 - M7 - G1/8 - G1/4
<b>Temperature</b>	-20°C ÷ 80°C (see the technical data of tubing used) Micro models: -10°C ÷ 80°C (see the technical data of tubing used)
<b>Tube to connect</b>	Rilsan, PA 6-11-12, Polyethylene, PU, Hytel Polyester
<b>Fluid</b>	compressed air (for other types of fluid, contact our engineers)
<b>Materials</b>	standard models: body and collet in nickel-plated brass, O-Ring in NBR, thread seals in PTFE - NBR - PA models with self-retaining device: body and collet in nickel-plated brass, poppet valve in brass, spring in stainless steel, O-Ring in NBR, thread seals in PTFE
<b>Pressure</b>	standard models: min -0,9 bar - max 16 bar (see tubing) models with self-retaining device: 0 ÷ 16 bar

## Fitting with connecting tube



Fittings Mod. S6510

Male Connector Sprint®

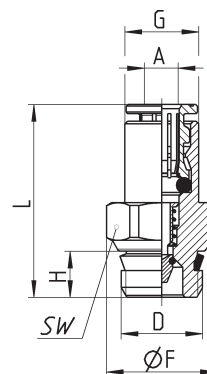


DIMENSIONS										
Mod.	A	D	C	F	G	H	L	SW	SW1	Weight (g)
S6510 4-1/8	4	G1/8	3.8	8.8	13.2	5.5	18	12	2.5	9
S6510 4-1/4	4	G1/4	5.5	8.8	15.2	7	19.5	14	2.5	15
S6510 5-1/8	5	G1/8	3.8	9.8	13.2	5.5	19	12	3	8
S6510 5-1/4	5	G1/4	5.5	9.8	15.2	7	20	14	3	14
S6510 6-1/8	6	G1/8	6	11.7	13.2	5.5	22	12	4	10
S6510 6-1/4	6	G1/4	5.5	11.7	15.2	7	21	14	4	14
S6510 6-3/8	6	G3/8	6.5	11.7	20.5	8	22.5	19	4	27
S6510 8-1/8	8	G1/8	7.5	13.7	15.2	5.5	25	14	5	13
S6510 8-1/4	8	G1/4	6.5	13.7	15.2	7	24	14	6	14
S6510 8-3/8	8	G3/8	6	13.7	20.5	8	23.5	19	6	25
S6510 8-1/2	8	G1/2	7.5	13.7	24.5	9	25	22	6	43
S6510 10-1/4	10	G1/4	8.3	15.4	18.5	7	28.5	17	7	23
S6510 10-3/8	10	G3/8	5.3	15.4	20.5	8	25.5	19	8	27
S6510 10-1/2	10	G1/2	4.8	16	24.5	9	25	22	8	39
S6510 12-1/4	12	G1/4	10.3	18.3	20.5	7	29.5	19	7	26
S6510 12-3/8	12	G3/8	9.3	18.3	20.5	8	28.5	19	9	30
S6510 12-1/2	12	G1/2	5.8	18.3	24.5	9	25	22	10	36
S6510 14-3/8	14	G3/8	10.3	20.5	24.5	8	30.5	22	9	42
S6510 14-1/2	14	G1/2	6.3	20.5	24.5	9	26.5	22	12	34
S6510 16-1/2	16	G1/2	9	23.5	26.5	9	32	24	-	42
S6510 16-3/4	16	G3/4	3.5	23.5	27.3	9	26.5	24	-	46

Fittings Mod. S6510...-LF

Male Connector Sprint® with self-retaining device

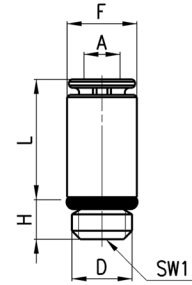
New



Mod.	A	D	F	G	H	L	SW	weight (g)
S6510 4-1/8-LF	4	G1/8	13.2	8.8	5.5	23	12	11
S6510 6-1/8-LF	6	G1/8	13.2	11.7	6	30.5	12	15

**Fittings Mod. 6512 Micro**

Metric-BSP Male Connector

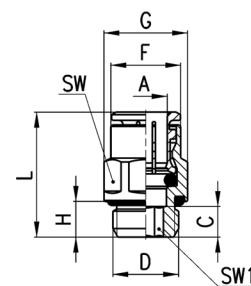


DIMENSIONS								
Mod.	A	D	F	H	L	SW1	Weight (g)	
6512 3-M3	3	M3	5.8	2.5	10.2	1.5	1	*
6512 3-M5	3	M5	5.8	3.5	10	2	1	•
6512 4-M7-M	4	M7	9.4	5	17.5	2.5	5	•
6512 4-1/8-M	4	G1/8	11.2	5	13	2.5	9	•, Y
6512 6-M7-M	6	M7	10.4	5	17	4	7	•
6512 6-1/8-M	6	G1/8	11.2	5	14	4	7	•, Y
6512 8-1/8-M	8	G1/8	12.4	5	18.5	5	10	•, Y
6512 10-1/4-M	10	G1/4	14.8	6	21	7	16	•

\* = with gasket  
• = with O-Ring

**Fittings Mod. 6512**

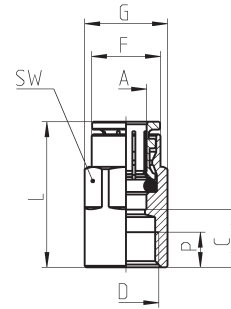
Metric-BSP Male Connector

**New model**


DIMENSIONS										
Mod.	A	D	C	F	G	H	L	SW	SW1	Weight (g)
6512 4-M5	4	M5	6	7.8	8.8	4	20	8	2	4
6512 4-M6	4	M6	6.5	8.8	9.9	4.5	20.5	9	2.5	6
6512 4-1/8	4	G1/8	5	8.8	13.5	6	19	12	2.5	10
6512 4-1/4	4	G1/4	6.5	8.8	16.4	7	20.5	15	2.5	14
6512 5-M5	5	M5	6	8.8	9.9	4	21	9	2	5
6512 6-M5	6	M5	6	11.7	13.2	4	22	12	2	8
6512 6-M6	6	M6	6	11.7	13.2	4.5	22.5	12	2.5	8
6512 6-1/8	6	G1/8	5	11.7	13.5	6	21	12	4	10
6512 6-1/4	6	G1/4	6	11.7	16.4	7	22	15	4	13
6512 8-1/8	8	G1/8	8.5	13.7	15.2	6	26	14	5	15
6512 8-1/4	8	G1/4	7	13.7	16.4	7	24.5	15	6	17
6512 8-3/8	8	G3/8	6.5	13.7	20.5	7	23	19	6	27
6512 10-1/4	10	G1/4	9.8	15.4	18.5	7	30	17	7	26
6512 10-3/8	10	G3/8	5.3	15.4	20.5	7	24.5	19	8	27
6512 12-1/4	12	G1/4	10.5	18.3	20.5	7	29.5	19	7	29
6512 12-3/8	12	G3/8	5.8	18.3	20.5	7	24	19	9	24

Fittings Mod. 6463

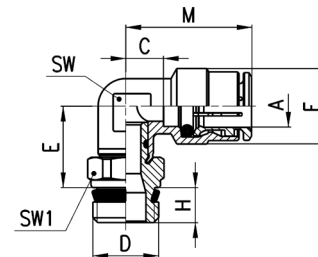
Metric-BSP Female Connector



DIMENSIONS									
Mod.	A	D	C	F	G	L	P (min)	SW	Weight (g)
6463 4-M5	4	M5	6.5	7.8	8.8	20.5	4.5	9	8
6463 4-1/8	4	G1/8	10	9	13	24	6	12	14
6463 5-1/8	5	G1/8	10	9.8	13	25	6	12	14
6463 6-1/8	6	G1/8	10	11.7	13	26	6	12	14
6463 6-1/4	6	G1/4	11.5	11.9	16.5	27.5	7	15	23
6463 8-1/8	8	G1/8	9.5	13.7	15.2	27	6	14	16
6463 8-1/4	8	G1/4	11.5	13.7	16.5	29	7	15	23
6463 10-1/4	10	G1/4	11.3	15.4	18.5	31.5	7	17	29

Fittings Mod. S6520

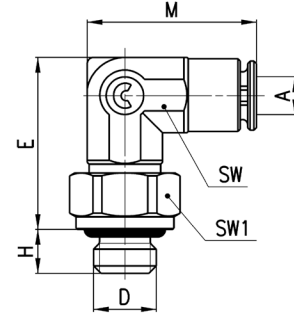
Swivel Male Elbow Sprint®



DIMENSIONS										
Mod.	A	D	C	E	F	H	M	SW	SW1	Weight (g)
S6520 4-1/8	4	G1/8	3.5	14.5	9	5.5	17.5	8	12	17
S6520 4-1/4	4	G1/4	3.5	14.5	9	7	17.5	8	14	23
S6520 5-1/8	5	G1/8	5.5	14.5	10	5.5	20.5	9	12	17
S6520 5-1/4	5	G1/4	5.5	14.5	10	7	20.5	9	14	23
S6520 6-1/8	6	G1/8	4	15	12.7	5.5	20	9	12	20
S6520 6-1/4	6	G1/4	4	15	12.7	7	20	9	14	23
S6520 6-3/8	6	G3/8	4	15.5	12.7	8	20	9	19	33
S6520 8-1/8	8	G1/8	5	16	14.2	5.5	22.5	11	12	22
S6520 8-1/4	8	G1/4	5	16	14.2	7	22.5	11	14	26
S6520 8-3/8	8	G3/8	5	16.5	14.2	8	22.5	11	19	41
S6520 8-1/2	8	G1/2	5	17	14.2	9	22.5	11	22	48
S6520 10-1/4	10	G1/4	5.8	18.5	16.5	7	26	13	14	32
S6520 10-3/8	10	G3/8	5.8	19	16.5	8	26	13	19	43
S6520 10-1/2	10	G1/2	5.8	19.5	16.5	9	26	13	22	62
S6520 12-1/4	12	G1/4	7.3	20	19.5	7	26.5	15	17	49
S6520 12-3/8	12	G3/8	7.3	20	19.5	8	26.5	15	19	48
S6520 12-1/2	12	G1/2	7.3	20.5	19.5	9	26.5	15	22	70
S6520 14-3/8	14	G3/8	8.3	21	21.5	8	28.5	17	19	74
S6520 14-1/2	14	G1/2	8.3	21.5	21.5	9	28.5	17	22	78

**Fittings Mod. 6522 Micro**

Metric Swivel Male Elbow

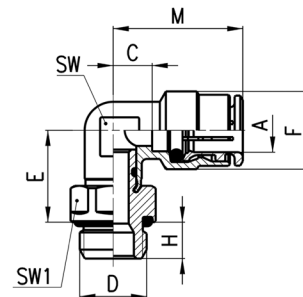

**DIMENSIONS**

Mod.	A	D	E	H	M	SW	SW1	Weight (g)	
<b>6522 3-M3</b>	3	M3	13.7	2.5	13.7	6	6	4	*
<b>6522 3-M5</b>	3	M5	13.7	3.5	13.7	6	8	5	•

 \* = with gasket  
 • = with O-Ring

**Fittings Mod. 6522**

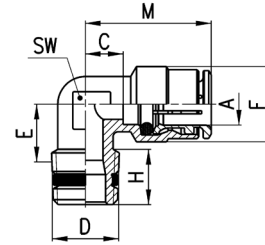
Metric-BSP Swivel Male Elbow


**DIMENSIONS**

Mod.	A	D	C	E	F	H	M	SW	SW1	Weight (g)
<b>6522 4-M5</b>	4	M5	3.5	12.5	9	4	17.5	8	8	12
<b>6522 4-1/8</b>	4	G1/8	3.5	14.5	9	6	17.5	8	12	15
<b>6522 4-1/4</b>	4	G1/4	3.5	15.5	9	7	17.5	8	15	25
<b>6522 5-M5</b>	5	M5	5.5	12.5	10	4	20.5	9	8	13
<b>6522 6-M5</b>	6	M5	4	13	12.7	4	20	9	10	14
<b>6522 6-1/8</b>	6	G1/8	4	15	12.7	6	20	9	12	19
<b>6522 6-1/4</b>	6	G1/4	4	16	12.7	7	20	9	15	27
<b>6522 8-1/8</b>	8	G1/8	5	16	14.2	6	22.5	11	12	22
<b>6522 8-1/4</b>	8	G1/4	5	17	14.2	7	22.5	11	15	28
<b>6522 8-3/8</b>	8	G3/8	5	17	14.2	7	22.5	11	19	45
<b>6522 10-1/4</b>	10	G1/4	5.8	19.5	16.5	7	26	13	15	41
<b>6522 10-3/8</b>	10	G3/8	5.8	19.5	16.5	7	26	13	19	45
<b>6522 12-1/4</b>	12	G1/4	7.3	20	19.5	7	26.5	15	17	51
<b>6522 12-3/8</b>	12	G3/8	7.3	20.5	19.5	7	26.5	15	19	56

Fittings Mod. S6500

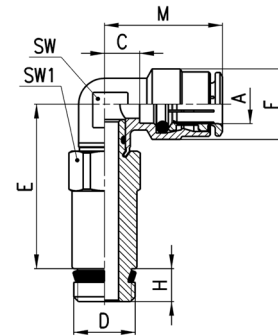
Metric Fix Male Elbow



DIMENSIONS										
Mod.	A	D	C	E	F	H	M	SW	Weight (g)	
S6500 4-1/8	4	R1/8	3.5	8.5	9	7.5	17.5	8	9	
S6500 4-1/4	4	R1/4	5	11.5	9	12	19	9	13	
S6500 5-1/8	5	R1/8	5.5	8.5	10	7.5	20.5	9	13	
S6500 5-1/4	5	R1/4	5.5	11.5	10	12	20.5	9	17	
S6500 6-1/8	6	R1/8	4	9	12.7	7.5	20	9	15	
S6500 6-1/4	6	R1/4	4	11.5	12.7	12	20	9	16	
S6500 8-1/8	8	R1/8	5	10.5	14.2	6.5	22.5	11	18	
S6500 8-1/4	8	R1/4	5	11.5	14.2	12.5	22.5	11	21	
S6500 8-3/8	8	R3/8	7	13	14.2	11.5	24.5	12	25	
S6500 10-1/4	10	R1/4	5.8	13	16.5	11.5	26	13	33	
S6500 10-3/8	10	R3/8	5.8	13	16.5	12	26	13	33	
S6500 12-1/4	12	R1/4	7.3	14.5	19.5	11	26.5	15	46	
S6500 12-3/8	12	R3/8	7.3	13.5	19.5	11.5	26.5	15	39	

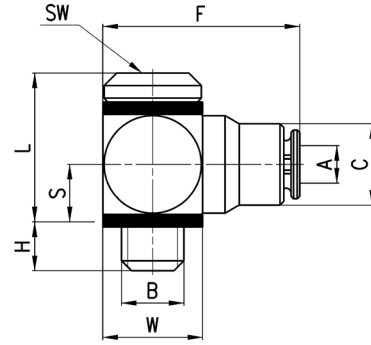
Fittings Mod. 6525

Long Swivel Male Elbow Sprint®



DIMENSIONS										
Mod.	A	D	C	E	F	H	M	SW	SW1	Weight (g)
6525 6-1/8	6	G1/8	4	33.8	12.7	5.5	20	9	12	34
6525 6-1/4	6	G1/4	4	34	12.7	7	20	9	14	47
6525 8-1/8	8	G1/8	5	34.8	14.2	5.5	22.5	11	12	35
6525 8-1/4	8	G1/4	5	35	14.2	7	22.5	11	14	50

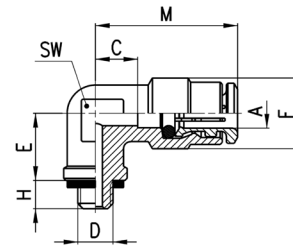

**Fittings Mod. 6621 Micro**

 Complete Metric Adjustable  
Single Banjo

**DIMENSIONS**

Mod.	A	B	C	F	H	L	S	W	SW	Weight (g)
<b>6621 3-M3</b>	3	M3	5.8	14.2	2.5	9.3	3.5	6	1.5	5
<b>6621 3-M5</b>	3	M5	6.5	16	3.2	11.9	4.8	8	2	6


**Fitting Mod. 6501 4-M5**

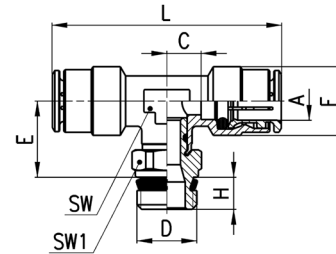
Metric Fix Male Elbow


**DIMENSIONS**

Mod.	A	D	C	E	F	H	M	SW	Weight (g)
<b>6501 4-M5</b>	4	M5	3.5	6	9	4	17.5	8	11

Fittings Mod. S6430

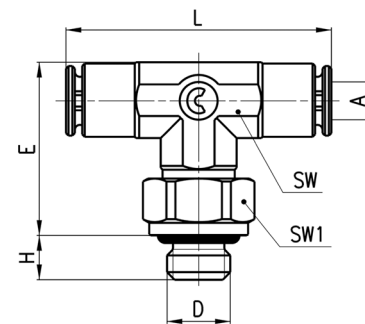
Swivel Male Tee Sprint®



DIMENSIONS										
Mod.	A	D	C	E	F	H	L	SW	SW1	Weight (g)
<b>S6430 4-1/8</b>	4	G1/8	3.5	14.5	9	5.5	35	8	12	18
<b>S6430 5-1/8</b>	5	G1/8	5.5	14.5	10	5.5	41	9	12	24
<b>S6430 5-1/4</b>	5	G1/4	5.5	14.5	10	7	41	9	14	30
<b>S6430 6-1/8</b>	6	G1/8	4	15	12.7	5.5	40	9	12	28
<b>S6430 6-1/4</b>	6	G1/4	4	15	12.7	7	40	9	14	33
<b>S6430 8-1/8</b>	8	G1/8	5	16	14.2	5.5	45	11	12	37
<b>S6430 8-1/4</b>	8	G1/4	5	16	14.2	7	45	11	14	42
<b>S6430 8-3/8</b>	8	G3/8	5	16.5	14.2	8	45	11	19	51
<b>S6430 10-1/4</b>	10	G1/4	5.8	18.5	16.5	7	52	13	14	56
<b>S6430 10-3/8</b>	10	G3/8	5.8	19	16.5	8	52	13	19	67
<b>S6430 10-1/2</b>	10	G1/2	5.8	19.5	16.5	9	52	13	22	85
<b>S6430 12-1/4</b>	12	G1/4	7.3	20	19.5	7	53	15	17	60
<b>S6430 12-3/8</b>	12	G3/8	7.3	20	19.5	8	53	15	19	65
<b>S6430 12-1/2</b>	12	G1/2	7.3	20.5	19.5	9	53	15	22	89
<b>S6430 14-1/2</b>	14	G1/2	8.3	21.5	21.5	9	57	17	22	88

Fittings Mod. 6432 Micro

Metric Swivel Male Tee



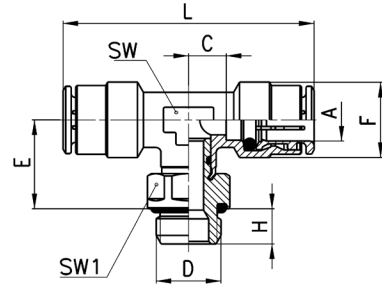
DIMENSIONS									
Mod.	A	D	E	H	L	SW	SW1	Weight (g)	
<b>6432 3-M3</b>	3	M3	13.7	2.5	21.4	6	6	5	*
<b>6432 3-M5</b>	3	M5	13.7	3.5	21.4	6	8	6	•

\* = with gasket  
• = with O-Ring



**Fittings Mod. 6432**

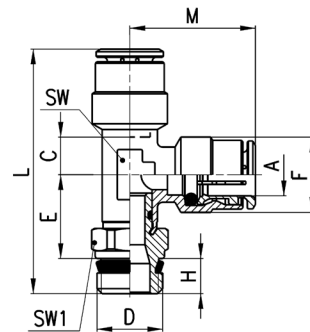
Metric-BSP Swivel Male Tee



DIMENSIONS										
Mod.	A	D	C	E	F	H	L	SW	SW1	Weight (g)
<b>6432 4-M5</b>	4	M5	3.5	12.5	9	4	35	8	8	14
<b>6432 4-1/8</b>	4	G1/8	3.5	14.5	9	6	35	8	12	19
<b>6432 5-M5</b>	5	M5	5.5	12.5	10	4	41	9	8	19
<b>6432 6-1/8</b>	6	G1/8	4	15	12.7	6	40	9	12	29
<b>6432 6-1/4</b>	6	G1/4	4	16	12.7	7	40	9	15	30
<b>6432 8-1/8</b>	8	G1/8	5	16	14.2	6	45	11	12	37
<b>6432 8-1/4</b>	8	G1/4	5	17	14.2	7	45	11	15	39
<b>6432 8-3/8</b>	8	G3/8	5	17	14.2	7	45	11	19	55
<b>6432 10-1/4</b>	10	G1/4	5.8	19.5	16.5	7	52	13	15	59
<b>6432 10-3/8</b>	10	G3/8	5.8	19.5	16.5	7	52	13	19	56
<b>6432 12-1/4</b>	12	G1/4	7.3	20	19.5	7	53	15	17	60
<b>6432 12-3/8</b>	12	G3/8	7.3	20.5	19.5	7	53	15	19	80

**Fittings Mod. S6440**

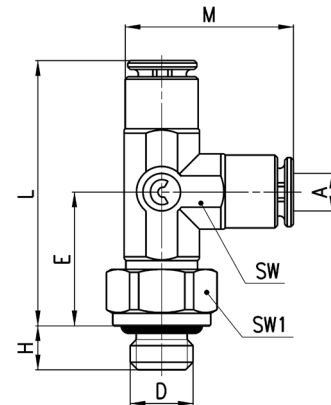
Lateral Swivel Male Tee Sprint®



DIMENSIONS											
Mod.	A	D	C	E	F	H	L	M	SW	SW1	Weight (g)
<b>S6440 4-1/8</b>	4	G1/8	3.5	14.5	9	5.5	37.5	17.5	8	12	23
<b>S6440 5-1/8</b>	5	G1/8	5.5	14.5	10	5.5	40.5	20.5	9	12	24
<b>S6440 6-1/8</b>	6	G1/8	4	15	12.7	5.5	40.5	20	9	12	26
<b>S6440 6-1/4</b>	6	G1/4	4	15	12.7	7	42	20	9	14	31
<b>S6440 8-1/8</b>	8	G1/8	5	16	14.2	5.5	44	22.5	11	12	37
<b>S6440 8-1/4</b>	8	G1/4	5	16	14.2	7	45.5	22.5	11	14	35
<b>S6440 8-3/8</b>	8	G3/8	5	16.5	14.2	8	47	22.5	11	19	52
<b>S6440 10-1/4</b>	10	G1/4	5.8	18.5	16.5	7	51.5	26	13	14	43
<b>S6440 10-3/8</b>	10	G3/8	5.8	18.5	16.5	8	53	26	13	19	66
<b>S6440 12-3/8</b>	12	G3/8	7.3	19.5	19.5	8	54.5	26.5	15	19	65
<b>S6440 14-1/2</b>	14	G1/2	8.3	21.5	21.5	9	59	28.5	17	22	88

Fittings Mod. 6442 Micro

Lateral Metric Swivel Male Tee

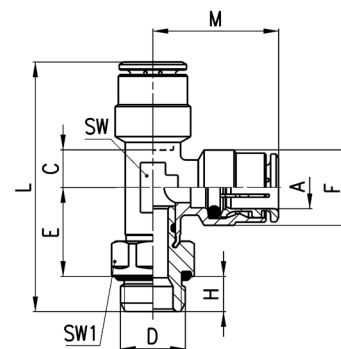


DIMENSIONS										
Mod.	A	D	E	H	L	M	SW	SW1	Weight (g)	
6442 3-M3	3	M3	10.7	2.5	21.4	13.7	6	6	5	*
6442 3-M5	3	M5	12.2	3.5	21.4	13.7	6	8	6	•

\* = with gasket  
• = with O-Ring

Fittings Mod. 6442

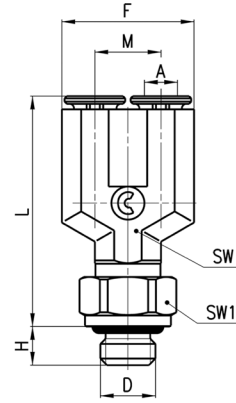
Lateral Metric-BSP Swivel Male Tee



DIMENSIONS											
Mod.	A	D	C	E	F	H	L	M	SW	SW1	Weight (g)
6442 4-M5	4	M5	3.5	12.5	9	4	34	17.5	8	8	18
6442 4-1/8	4	G1/8	3.5	14.5	9	6	38	17.5	8	12	19
6442 5-M5	5	M5	5.5	12.5	10	4	36.5	20.5	9	8	19
6442 6-1/8	6	G1/8	4	15	12.7	6	41	20	9	12	26
6442 6-1/4	6	G1/4	4	16	12.7	7	43	20	9	15	36
6442 8-1/8	8	G1/8	5	16	14.2	6	44.5	22.5	11	12	31
6442 8-1/4	8	G1/4	5	17	14.2	7	46.5	22.5	11	15	42
6442 8-3/8	8	G3/8	5	17	14.2	7	46.5	22.5	11	19	50
6442 10-1/4	10	G1/4	5.8	19.5	16.5	7	52.5	26	13	15	46
6442 10-3/8	10	G3/8	5.8	19.5	16.5	7	52.5	26	13	19	66
6442 12-1/4	12	G1/4	7.3	20	16.5	7	53.5	26.5	15	17	73
6442 12-3/8	12	G3/8	7.3	20.5	19.5	7	54	26.5	15	19	64

**Fittings Mod. 6452 Micro**

Metric Swivel Male Y


**DIMENSIONS**

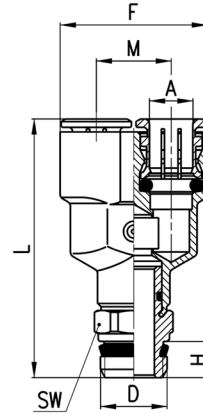
Mod.	A	D	F	H	L	M	SW	SW1	Weight (g)
<b>6452 3-M3</b>	3	M3	12	2.5	20.9	6	6	6	6 *
<b>6452 3-M5</b>	3	M5	12	3.5	20.9	6	6	8	7 •

 \* = with gasket  
 • = with O-Ring

**Fittings Mod. 6451 - S6450**

Mod. 6451: Metric Adjustable Male Y

Mod. S6450: Swivel Male Y Sprint®

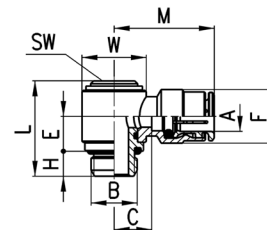

**DIMENSIONS**

Mod.	A	D	F	H	L	M	SW	Weight (g)
<b>6451 4-M5</b>	4	M5	18	4	26.5	9	-	17 *
<b>6451 6-M5</b>	6	M5	24.5	4	29.5	12.5	-	27 *
<b>S6450 4-1/8</b>	4	G1/8	18	5.5	38	9	12	23
<b>S6450 6-1/8</b>	6	G1/8	24.5	5.5	41.5	12.5	12	33
<b>S6450 8-1/8</b>	8	G1/8	28.5	5.5	48.5	14.5	14	48
<b>S6450 8-1/4</b>	8	G1/4	28.5	7	50	14.5	14	50

\* = not swivel Model with gasket

**Fittings Mod. 6622**

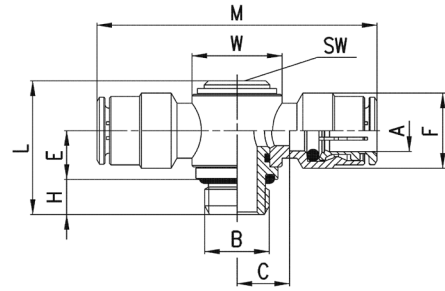
 Complete BSP Swivel  
 Single Banjo

 \* Complete Metric Swivel  
 Single Banjo

**DIMENSIONS**

Mod.	A	B	C	E	F	H	L	M	SW	W	Weight (g)	Notes
<b>6622 4-M5</b>	4	M5	4	5.7	8.8	4	15.8	18	2.5	∅ 8	10	*
<b>6622 4-1/8</b>	4	G1/8	7.5	10.2	9	5	25	21.5	4	∅ 14	22	
<b>6622 6-1/8</b>	6	G1/8	8	10.2	12.7	5	25	24	4	∅ 14	24	
<b>6622 6-1/4</b>	6	G1/4	10	9.1	12.7	6	25.3	26	5	∅ 18	35	
<b>6622 8-1/8</b>	8	G1/8	8	10.2	14.2	5	25	25.5	4	∅ 14	28	
<b>6622 8-1/4</b>	8	G1/4	10	9.1	14.2	6	25.3	27.5	5	∅ 18	39	
<b>6622 10-1/4</b>	10	G1/4	8.8	9.1	16.5	6	25.3	29	5	∅ 18	42	

Fittings Mod. 6632

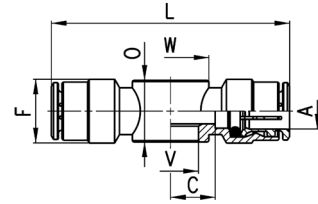
Complete BSP Swivel  
Double Banjo



DIMENSIONS											
Mod.	A	B	C	E	F	H	L	M	W	SW	Weight (g)
6632 4-1/8	4	G1/8	7.5	10.2	9	5	25	43	∅ 14	4	24
6632 6-1/8	6	G1/8	8	10.2	12.7	5	25	48	∅ 14	4	33
6632 6-1/4	6	G1/4	10	9.1	12.7	6	25.3	52	∅ 18	5	35
6632 8-1/8	8	G1/8	8	10.2	14.2	5	25	51	∅ 14	4	39
6632 8-1/4	8	G1/4	10	9.1	14.2	6	25.3	55	∅ 18	5	40
6632 10-1/4	10	G1/4	8.8	9.1	16.5	6	25.3	58	∅ 18	5	50

Fittings Mod. 6620

Double Banjo



DIMENSIONS										
Mod.	A	C	F	L	O	V	W	Weight (g)	assembled with Mod.	
6620 4-M5	4	5	9	38	9	5.1	∅ 9	13	SCU, SVU, SCO...	
6620 4-1/8	4	7.5	9	43	14.5	9.8	∅ 14	19	1631, 1635, SCU, SVU, SCO...	
6620 6-1/8	6	8	12.7	48	14.5	9.8	∅ 14	24	1631, 1635, SCU, SVU, SCO...	
6620 6-1/4	6	10	12.7	52	14.5	13.2	∅ 18	26	1631, 1635, SCU, SVU, SCO...	
6620 8-1/8	8	8	14.2	51	14.5	9.8	∅ 14	32	1631, 1635, SCU, SVU, SCO...	
6620 8-1/4	8	10	14.2	55	14.5	13.2	∅ 18	34	1631, 1635, SCU, SVU, SCO...	

Fittings Mod. 1631 with gaskets

- 01... = Single Banjo Stem
- 02... = Double Banjo Stem
- 03... = Triple Banjo Stem

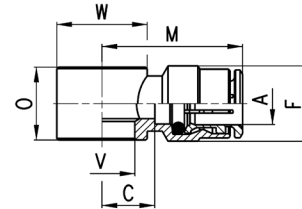


Mod.
1631 01-
1631 02-
1631 03-

Drawings and dimensions on page 4/2.05.09

**Fittings Mod. 6610**

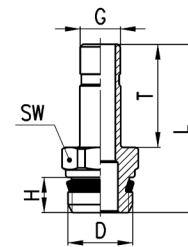
Single Banjo



DIMENSIONS									
Mod.	A	C	F	M	O	V	W	Weight (g)	assembled with Mod.
6610 4-M5	4	5	9	19	9	5.1	□ 9	9	1631
6610 4-M6	4	5	9	19	9	5.1	□ 9	8	SCU, SVU, SCO...
6610 4-1/8	4	7.5	9	21.5	14.5	9.8	∅ 14	14	1631, 1635, SCU, SVU, SCO...
6610 5-M5	5	5	10	20	9	5.1	□ 9	9	1631
6610 5-M6	5	5	10	20	9	5.1	□ 9	8	SCU, SVU, SCO...
6610 5-1/8	5	8	10	23	14.5	9.8	∅ 14	16	1631, 1635, SCU, SVU, SCO...
6610 6-M5	6	6.5	12.7	22.5	9	5.1	∅ 10	12	1631
6610 6-M6	6	6.5	12.7	22.5	9	5.1	∅ 10	12	SCU, SVU, SCO...
6610 6-1/8	6	8	12.7	24	14.5	9.8	∅ 14	16	1631, 1635, SCU, SVU, SCO...
6610 6-1/4	6	10	12.7	26	14.5	13.2	∅ 18	19	1631, 1635, SCU, SVU, SCO...
6610 8-1/8	8	8	14.2	25.5	14.5	9.8	∅ 14	19	1631, 1635, SCU, SVU, SCO...
6610 8-1/4	8	10	14.2	27.5	14.5	13.2	∅ 18	22	1631, 1635, SCU, SVU, SCO...
6610 8-3/8	8	11	14.2	28.5	14.5	16.7	∅ 21	23	1631, 1635, SCU, SVU, SCO...
6610 10-1/4	10	8.8	16.5	29	14.5	13.2	∅ 18	22	1635, SCU, SVU, SCO...
6610 10-3/8	10	10.3	16.5	30.5	14.5	16.7	∅ 21	23	1635, SCU, SVU, SCO...
6610 12-1/2	12	12.8	16.5	32	14.5	21	∅ 26	37	1635

**Fittings Mod. 6811**

Metric Male Adaptor Sprint®

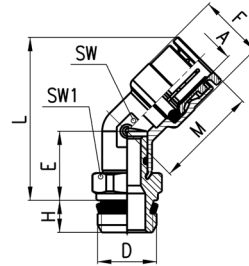


DIMENSIONS							
Mod.	G	D	H	T	L	SW	Weight (g)
6811 4-M5	4	M5	4	16.5	24.5	8	3 *
6811 4-1/8	4	G1/8	5.5	16.5	27.8	12	10
6811 5-1/8	5	G1/8	5.5	18	29.3	12	9
6811 5-1/4	5	G1/4	7	18	31	14	11
6811 6-1/8	6	G1/8	5.5	18	29.3	12	10
6811 6-1/4	6	G1/4	7	18	31	14	12
6811 8-1/8	8	G1/8	5.5	20.5	31.8	12	12
6811 8-1/4	8	G1/4	7	20.5	33.5	14	13
6811 10-1/4	10	G1/4	7	23	36	14	16
6811 10-3/8	10	G3/8	8	23	37.3	19	25
6811 12-3/8	12	G3/8	8	24	38.3	19	25
6811 14-1/2	14	G1/2	9	28	44	22	39

\* = with O-Ring

Fittings Mod. S6110

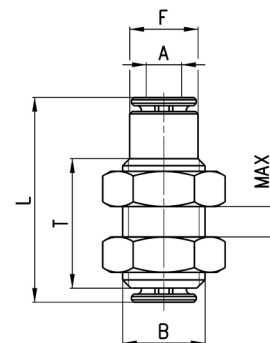
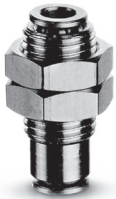
45° Male Elbow Sprint®



DIMENSIONS										
Mod.	A	D	E	F	H	L	M	SW	SW1	Weight (g)
<b>S6110 6-1/8</b>	6	G1/8	14	12.7	5.5	32.5	20.5	11	12	21
<b>S6110 6-1/4</b>	6	G1/4	14	12.7	7	34.5	20.5	11	14	25
<b>S6110 8-1/8</b>	8	G1/8	14	14.2	5.5	32.5	22.5	11	12	21
<b>S6110 8-1/4</b>	8	G1/4	14	14.2	7	34.5	22.5	11	14	26
<b>S6110 8-3/8</b>	8	G3/8	14.5	14.2	8	35	22.5	11	19	38
<b>S6110 10-1/4</b>	10	G1/4	15.5	16.5	7	39.5	26.5	15	17	39
<b>S6110 10-3/8</b>	10	G3/8	15.5	16.5	8	39.5	26.5	15	19	44
<b>S6110 10-1/2</b>	10	G1/2	16	16.5	9	40	26.5	15	22	57
<b>S6110 12-1/4</b>	12	G1/4	15.5	19.5	7	40.5	26.5	15	17	41
<b>S6110 12-3/8</b>	12	G3/8	15.5	19.5	8	40.5	26.5	15	19	46
<b>S6110 12-1/2</b>	12	G1/2	16	19.5	9	41	26.5	15	22	59

Fittings Mod. 6590 Micro

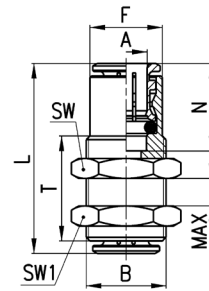
Bulkhead Connector



DIMENSIONS							
Mod.	A	B	F	L	MAX	T	Weight (g)
<b>6590 3</b>	3	M7x0.75	5.8	18.4	5	11.4	4

**Fittings Mod. 6590**

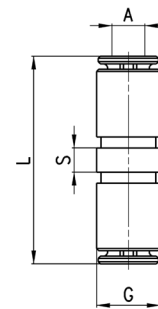
Bulkhead Connector



DIMENSIONS										
Mod.	A	B	F	L	N	MAX	SW	SW1	T	Weight (g)
<b>6590 4</b>	4	M10x1	8.8	29	14	10.5	14	14	20	16
<b>6590 5</b>	5	M12x1	9.8	31	15	10.5	17	17	20	25
<b>6590 6</b>	6	M14x1	12.5	33	16	10.5	17	17	20	28
<b>6590 8</b>	8	M16x1	14.5	36	17.5	11.5	19	19	21	35
<b>6590 10</b>	10	M18x1	16.3	41.5	20.2	13	22	22	23.5	51
<b>6590 12</b>	12	M20x1	18.8	39.5	19.2	14.5	24	24	25	56
<b>6590 14</b>	14	M22x1	20.5	41.5	20.2	17.5	27	27	30	82

**Fittings Mod. 6580 Micro**

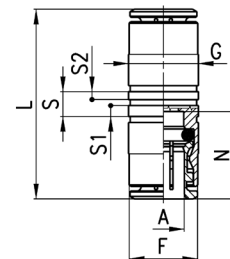
Union Connector



DIMENSIONS					
Mod.	A	G	L	S	Weight (g)
<b>6580 3</b>	3	5.8	19.9	2.2	2

**Fittings Mod. 6580**

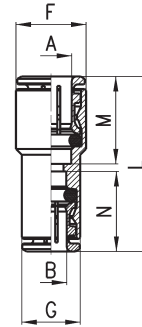
Union Connector

**New model**


DIMENSIONS									
Mod.	A	F	G	L	N	S	S1	S2	Weight (g)
<b>6580 4</b>	4	8.4	9	29	14	5	2.2	1.6	11
<b>6580 5</b>	5	9.4	10	31	15	5	2.2	1.6	15
<b>6580 6</b>	6	11.7	12	34	16	5	2.2	1.6	16
<b>6580 8</b>	8	13.7	14	37	17.5	5	2.2	1.6	23
<b>6580 10</b>	10	15.4	17	41.5	20.2	5	2.2	1.6	33
<b>6580 12</b>	12	18.3	19	39.5	19.2	5.2	2.2	1.6	40
<b>6580 14</b>	14	20.5	21	41.5	20.2	5.2	2.2	1.6	47
<b>6580 16</b>	16	-	47	47	23	-	-	-	60

Fittings Mod. 6580 - Reducer

Reducer Union Connector

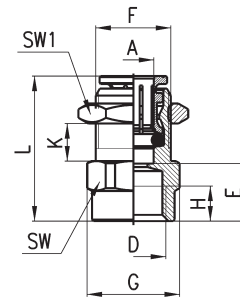


DIMENSIONS

Mod.	A	B	F	G	L	M	N	Weight (g)
<b>6580 6-4</b>	6	4	12	9	31.5	16	14	12
<b>6580 8-6</b>	8	6	14	12.2	35	17.5	16	19
<b>6580 10-8</b>	10	8	16	14	39	20	17.5	25
<b>6580 12-10</b>	12	10	19	16	40.5	19	20	35

Fittings Mod. 6593

BSP Female Bulkhead

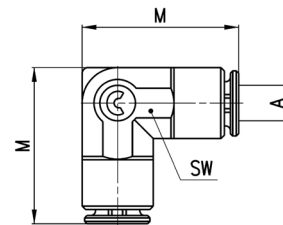


DIMENSIONS

Mod.	A	D	E	F	G	H	L	K (max)	K (min)	SW	SW1	Weight (g)
<b>6593 6-1/8</b>	6	G1/8	10	M12x1	16.4	6	24.5	8.5	2	15	17	19
<b>6593 6-1/4</b>	6	G1/4	11.5	M12x1	18.5	7	26	6.5	2	17	17	22
<b>6593 8-1/8</b>	8	G1/8	10	M15x1	18.5	6	27	9.5	2	17	19	26
<b>6593 8-1/4</b>	8	G1/4	11.5	M15x1	18.5	7	28.5	9.5	2	17	19	26
<b>6593 10-3/8</b>	10	G3/8	12.8	M18x1	24.5	8	32.5	12	2	22	22	43

Fittings Mod. 6550 Micro

Elbow connector



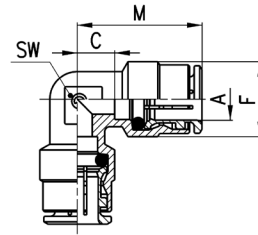
DIMENSIONS

Mod.	A	M	SW	Weight (g)
<b>6550 3</b>	3	13.7	6	3



**Fittings Mod. 6550**

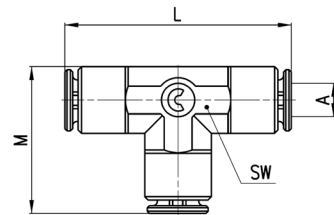
Elbow connector


**DIMENSIONS**

Mod.	A	C	F	M	SW	Weight (g)
<b>6550 4</b>	4	3.5	9	17.5	8	8
<b>6550 5</b>	5	5.5	10	20.5	9	15
<b>6550 6</b>	6	4	12.7	20	9	17
<b>6550 8</b>	8	5	14.2	22.5	11	22
<b>6550 10</b>	10	5.8	16.5	26	13	30
<b>6550 12</b>	12	7.3	19.5	26.5	15	44
<b>6550 14</b>	14	8.3	21.5	28.5	17	71

**Fittings Mod. 6540 Micro**

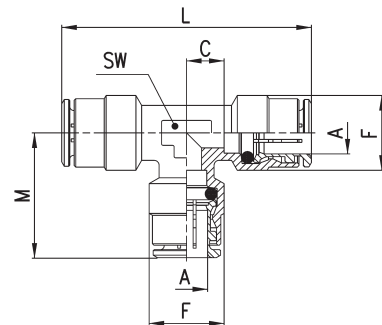
Tee Connector


**DIMENSIONS**

Mod.	A	L	M	SW	Weight (g)
<b>6540 3</b>	3	21.4	13.7	6	4

**Fittings Mod. 6540**

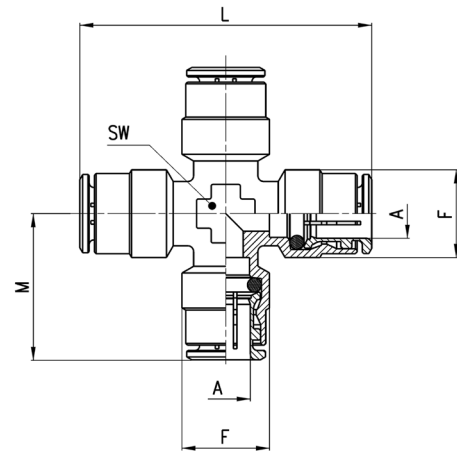
Tee Connector


**DIMENSIONS**

Mod.	A	C	F	L	M	SW	Weight (g)
<b>6540 4</b>	4	3.5	9	35	17.5	8	14
<b>6540 5</b>	5	5.5	10	41	20.5	9	21
<b>6540 6</b>	6	4	12.7	40	20	9	24
<b>6540 8</b>	8	5	14.2	45	22.5	11	32
<b>6540 10</b>	10	5.8	16.5	52	26	13	43
<b>6540 12</b>	12	7.3	19.5	53	26.5	15	60
<b>6540 14</b>	14	8.3	21.5	57	28.5	17	75

Fittings Mod. 6600

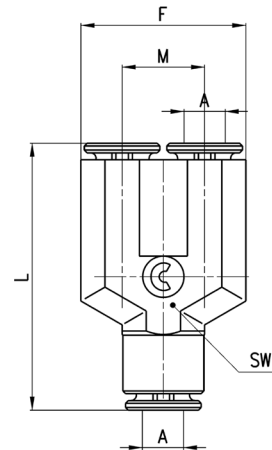
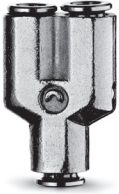
Cross Junction



DIMENSIONS						
Mod.	A	F	L	M	SW	Weight (g)
<b>6600 4</b>	4	9	38	19	9	26
<b>6600 5</b>	5	10	41	20.5	9	29
<b>6600 6</b>	6	12.7	44	22	10	35
<b>6600 8</b>	8	14.2	49	24.5	12	50
<b>6600 10</b>	10	16.5	55	27.5	14	63
<b>6600 12</b>	12	19.5	56	28	16	84

Fittings Mod. 6560 Micro

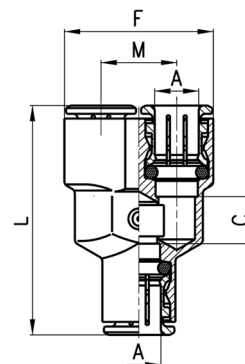
Y Union



DIMENSIONS						
Mod.	A	F	L	M	SW	Weight (g)
<b>6560 3</b>	3	12	20.4	6	6	5

Fittings Mod. 6560

Y Union

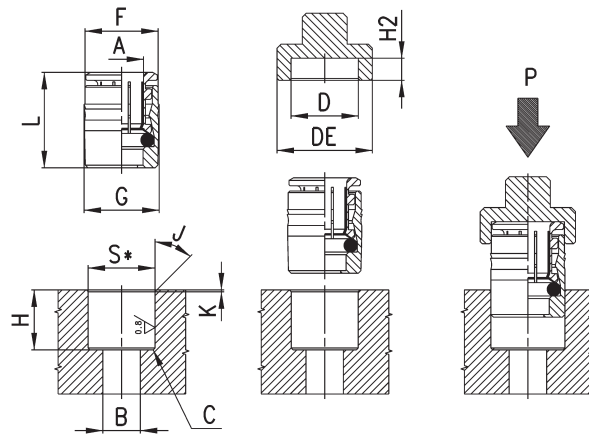


DIMENSIONS						
Mod.	A	C	F	L	M	Weight (g)
<b>6560 4</b>	4	5	18	33	9	19
<b>6560 6</b>	6	7	24.5	39	12.5	30
<b>6560 8</b>	8	9	28.5	44	14.5	42
<b>6560 10</b>	10	15.5	32	53.5	16	63

**Fittings Mod. 6700**

Cartridge

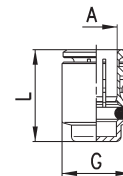
S\* = for both metallic and synthetic seat



Mod.	A	B	C	D	DE	F	G	H	H2 (+0,1/0)	J	K	L	P min (Kg)	P max (Kg)	S (+0,01/-0,04)	Weight (g)
<b>6700 3</b>	3	2	0.5x45°	6.1	11	5.9	6.2	6.3	2.6	30°	0.3	9.2	80	350	6	1
<b>6700 4</b>	4	3.5	0.5x45°	8.8	14	8.6	9	11	3.3	15°	0.5	14.5	200	360	8.75	4
<b>6700 5</b>	5	3.5	0.5x45°	9.8	15	9.6	10	11.5	3.3	15°	0.5	15.5	230	450	9.75	5
<b>6700 6</b>	6	4	0.5x45°	12	17	11.8	12.2	12	3.8	15°	0.5	16.5	160	570	11.95	8
<b>6700 8</b>	8	6	0.5x45°	14	19	13.8	14.2	14	3.3	15°	0.5	18	140	400	13.95	11
<b>6700 10</b>	10	8	0.5x45°	16	21	15.8	16.2	16.5	3.5	15°	0.5	20.5	150	650	15.95	15

**Fittings Mod. 6750**

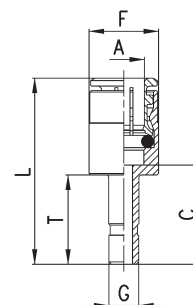
Female Plug



DIMENSIONS				
Mod.	A	G	L	Weight (g)
<b>6750 4</b>	4	8.8	15	4
<b>6750 6</b>	6	11.8	17	7
<b>6750 8</b>	8	13.8	18.5	9
<b>6750 10</b>	10	15.8	21	12
<b>6750 12</b>	12	17.8	20	15

**Fittings Mod. 6850**

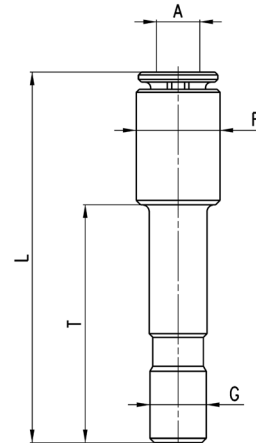
Enlarger Junction



DIMENSIONS							
Mod.	A	G	C	F	L	T	Weight (g)
<b>6850 6-4</b>	6	4	17.5	12.7	33.5	16.5	11
<b>6850 8-6</b>	8	6	19	14	36.5	18	15

Fitting Mod. 6800 Micro

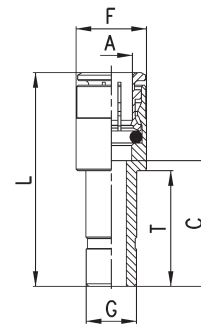
Reducer Junction



DIMENSIONS						
Mod.	A	F	G	L	T	Weight (g)
<b>6800 3-4</b>	3	5.8	4	26	16.5	2

Fittings Mod. 6800

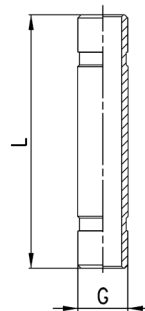
Reducer Junction



DIMENSIONS							
Mod.	A	G	C	F	L	T	Weight (g)
<b>6800 4-5</b>	4	5	19	9	33	18	8
<b>6800 4-6</b>	4	6	15.5	9	29.5	18	9
<b>6800 4-8</b>	4	8	18	9	32	20.5	10
<b>6800 5-6</b>	5	6	19	10	34	18	11
<b>6800 5-8</b>	5	8	18	10	33	20.5	12
<b>6800 6-8</b>	6	8	18	12.7	34	20.5	12
<b>6800 6-10</b>	6	10	20.5	12.7	36.5	23	17
<b>6800 6-12</b>	6	12	17.5	12.7	33.5	24	21
<b>6800 8-10</b>	8	10	20.5	14	38	23	15
<b>6800 8-12</b>	8	12	21.5	14	39	24	22
<b>6800 10-12</b>	10	12	20.3	16.5	40.5	24	27
<b>6800 10-14</b>	10	14	24.3	16.5	44.5	28	33
<b>6800 12-14</b>	12	14	24.3	18.8	45.5	28	27

**Fittings Mod. 6950**

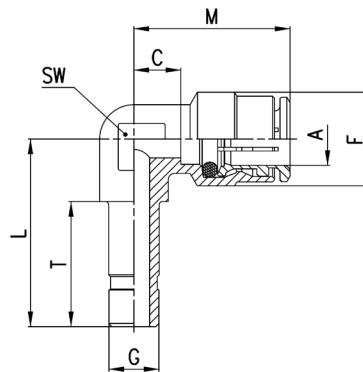
Junction


**DIMENSIONS**

Mod.	G	L	Weight (g)
<b>6950 4</b>	4	32.5	3
<b>6950 6</b>	6	35.5	4
<b>6950 8</b>	8	40.5	7
<b>6950 10</b>	10	46	10
<b>6950 12</b>	12	48	13
<b>6950 14</b>	14	52	17

**Fittings Mod. 6555**

Junction Elbow


**DIMENSIONS**

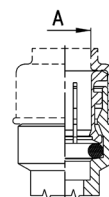
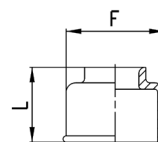
Mod.	A	G	C	L	F	T	M	SW	Weight (g)
<b>6555 4-4</b>	4	4	3.5	22	9	16.5	17.5	9	8
<b>6555 6-6</b>	6	6	4	24.5	12.7	18	20	9	14
<b>6555 8-8</b>	8	8	5	27.5	14.2	20	22.5	11	21
<b>6555 10-10</b>	10	10	5.8	32	16.5	23	26	13	26

**Fittings Mod. 6708**

Protection caps

Colour: Black

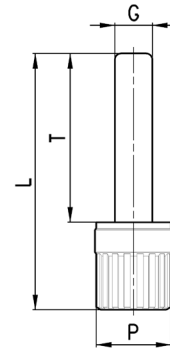
Self-extinguishing material, class V0


**DIMENSIONS**

Mod.	A	F	L	Weight (g)
<b>6708 4</b>	4	10.7	10.7	1
<b>6708 5</b>	5	11.7	11	1
<b>6708 6</b>	6	13.7	11.5	1
<b>6708 8</b>	8	15.7	12.5	1
<b>6708 10</b>	10	18.5	13	1
<b>6708 12</b>	12	20.7	15	2
<b>6708 14</b>	14	23.7	15	2

Accessory Mod. 6900 Micro

Plastic Male Plug

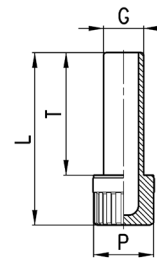


DIMENSIONS

Mod.	G	L	P	T	Weight (g)
<b>6900 3</b>	3	20.5	6	13.5	1

Accessory Mod. 6900

Plastic Male Plug



DIMENSIONS

Mod.	G	L	P	T	Weight (g)
<b>6900 4</b>	4	29	8	20	1
<b>6900 5</b>	5	29.5	8	20.5	1
<b>6900 6</b>	6	31.5	8	22.5	1
<b>6900 8</b>	8	34.5	12	24.5	2
<b>6900 10</b>	10	37	12	27	2
<b>6900 12</b>	12	40.5	16	28.5	3
<b>6900 14</b>	14	42.5	16	30.5	3

Accessory Mod. SP

Disconnecting tube set

The set includes keys to disconnect tubes with diameters between 4 and 12 mm.



Mod.  
**SP**