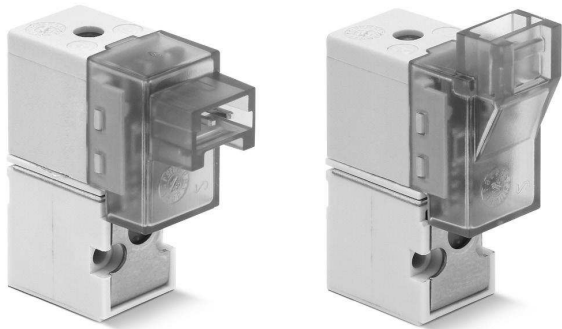


# Series KN directly operated solenoid valves

3/2-way - Normally Closed (NC)

- » Low energy consumption
- » Compact design
- » ISO 15218 Interface



Thanks to its low energy consumption and to its compact design, the miniaturized KN solenoid valve can be used in industrial and scientific applications.

Series KN directly operated solenoid valves are available as 3/2-way NC version.

## GENERAL DATA

### TECHNICAL FEATURES

Function	3/2 NC
Operation	direct acting poppet type
Pneumatic connections	on subbase with ISO 15218 interface by means of screws
Nominal diameter	0.65 mm
Nominal flow	10 Nl/min (air @ 6 bar $\Delta P$ 1 bar)
Flow coefficient kv (l/min)	0.15
Operating pressure	0 ÷ 7 bar
Operating temperature	0°C ÷ 50°C
Media	filtered compressed air, unlubricated, according to ISO 8573-1 class 3.4.3, inert gas
Response time	ON <10 msec - OFF <10 msec
Manual override	monostable button
Installation	in any position

### MATERIALS IN CONTACT WITH THE MEDIUM

Body	PBT technopolymer
Seals	HNBR, NBR (FKM on demand)
Internal parts	stainless steel

### ELECTRICAL FEATURES

Voltage	24 V DC - 12 V DC - other voltages on demand
Voltage tolerance	±10%
Power consumption	1.3 W (inrush), 0.25 W (holding)
Duty cycle	ED 100%
Electrical connection	connector
Protection class	IP50

### Special versions available on demand

2

CONTROL

**CODING EXAMPLE**

KN	0	00	-	3	0	3	-	K	1	3
----	---	----	---	---	---	---	---	---	---	---

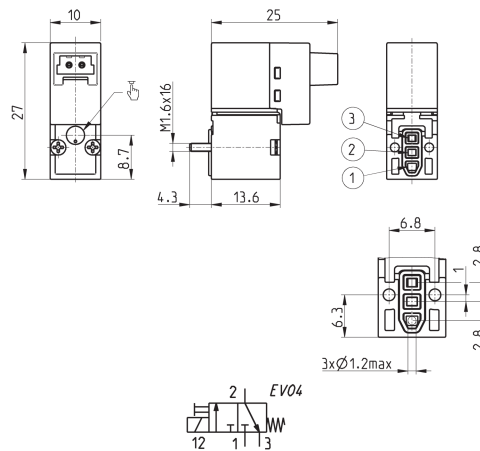
<b>KN</b>	SERIES
<b>0</b>	BODY DESIGN: 0 = single valve
<b>00</b>	NUMBER OF POSITIONS: 00 = interface
<b>3</b>	NUMBER OF WAYS - FUNCTIONS: 3 = 3/2-way NC
<b>0</b>	PORTS: 0 = single valve
<b>3</b>	NOMINAL DIAMETER: 3 = $\varnothing$ 0.65
<b>K</b>	MATERIALS: K = PBT body, HNBR poppet seal, NBR other seals F = PBT body, FKM poppet seal, NBR other seals (FKM upon request)
<b>1</b>	ELECTRICAL CONNECTION: 1 = 90° connection with protection and led B = in-line connection with protection and led
<b>3</b>	SOLENOID VOLTAGE: 2 = 12V DC 3 = 24V DC - 1.3W (inrush), 0.25W (holding) other voltages are available upon request
	FIXING: = with screws for plastics (standard) M = with screws for metal

2

CONTROL

**3/2 way NC solenoid valve - right-angle electrical connection**


Supplied with:  
 1x interface seal  
 2x screws M1.6x16 UNI 10227  
 (fixing for plastics, standard)  
 or  
 2x screws M1.6x16 UNI 7687  
 (fixing for metal, M option)

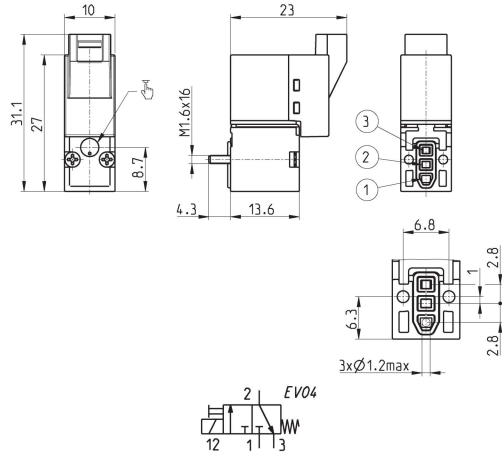


Mod.  
**KN000-303-K13**

3/2 way NC solenoid valve - in-line electrical connection



Supplied with:  
 1x interface seal  
 2x screws M1.6x16 UNI 10227  
 (fixing for plastics, standard)  
 or  
 2x screws M1.6x16 UNI 7687  
 (fixing for metal, M option)



Mod.  
**KN000-303-KB3**

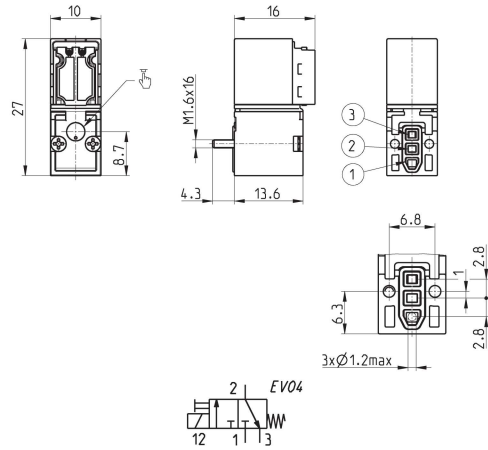
2

CONTROL

Solenoid valve Mod. KN000-303-KY3N - spare part for Series Y



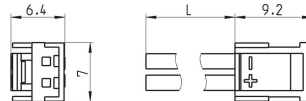
Supplied with:  
 1x interface seal  
 2x screws M1.6x16 UNI 10227



Mod.  
**KN000-303-KY3N**

Connector Mod. 121-8..

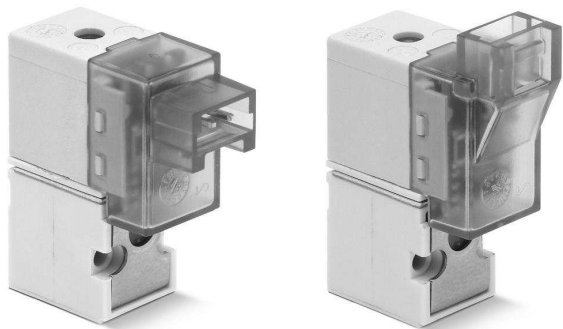
This connector can't be used with the solenoid valve Mod. KN000-303-KY3N.



Mod.	description	colour	L = cable length (mm)	cable holding
121-803	crimped cable	black	300	crimping
121-806	crimped cable	black	600	crimping
121-810	crimped cable	black	1000	crimping
121-830	crimped cable	black	3000	crimping

# Series KN High Flow directly operated solenoid valves

3/2-way - Normally Closed (NC)



- » Low energy consumption
- » Compact design
- » High Flow
- » ISO 15218 Interface

Thanks to its low energy consumption and to its compact design, Series KN High Flow solenoid valve can be used in industrial and scientific applications.

Series KN High Flow directly operated solenoid valves are available as 3/2-way NC version.

## GENERAL DATA

### TECHNICAL FEATURES

<b>Function</b>	3/2 NC
<b>Operation</b>	direct acting poppet type
<b>Pneumatic connections</b>	on subbase with ISO 15218 interface by means of screws
<b>Nominal diameter</b>	1.1 mm
<b>Nominal flow</b>	25 NI/min (air @ 6 bar ΔP 1 bar)
<b>Flow coefficient kv (l/min)</b>	0.39
<b>Operating pressure</b>	0 ÷ 3 ... 7 bar
<b>Operating temperature</b>	0°C ÷ 50°C
<b>Media</b>	filtered compressed air, unlubricated, according to ISO 8573-1 class 3.4.3, inert gas
<b>Response time</b>	ON <10 msec - OFF <10 msec
<b>Manual override</b>	monostable button
<b>Installation</b>	in any position

### MATERIALS IN CONTACT WITH THE MEDIUM

<b>Body</b>	PBT technopolymer
<b>Seals</b>	FKM, NBR (FKM on demand)
<b>Internal parts</b>	stainless steel

### ELECTRICAL FEATURES

<b>Voltage</b>	24 V DC - 12 V DC - other voltages on demand
<b>Voltage tolerance</b>	4 W (inrush), 1 W (holding)
<b>Power consumption</b>	ED 100%
<b>Duty cycle</b>	connector
<b>Electrical connection</b>	IP50
<b>Protection class</b>	

Special versions available on demand



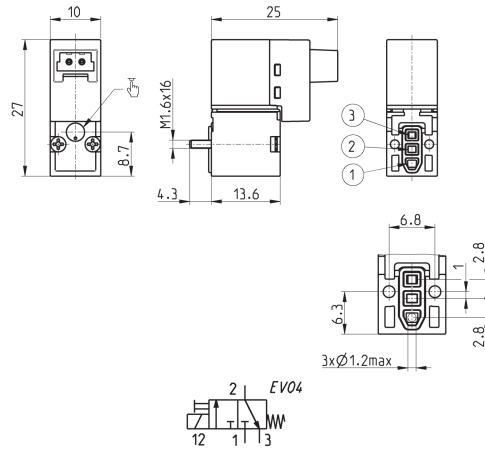
**CODING EXAMPLE**

<b>KN</b>	<b>0</b>	<b>00</b>	<b>-</b>	<b>3</b>	<b>0</b>	<b>5</b>	<b>-</b>	<b>F</b>	<b>1</b>	<b>8</b>	
-----------	----------	-----------	----------	----------	----------	----------	----------	----------	----------	----------	--

<b>KN</b>	SERIES
<b>0</b>	BODY DESIGN: 0 = single valve
<b>00</b>	NUMBER OF POSITIONS: 00 = interface
<b>3</b>	NUMBER OF WAYS - FUNCTIONS: 3 = 3/2-way NC
<b>0</b>	PORTS: 0 = single valve
<b>5</b>	NOMINAL DIAMETER / MAX PRESSURE: 5 = ø 1.1      7 bar 6 = ø 1.1      3 bar
<b>F</b>	MATERIALS: F = PBT body, FKM poppet seal, NBR other seals (FKM upon request)
<b>1</b>	ELECTRICAL CONNECTION: 1 = 90° connection with protection and led B = in-line connection with protection and led
<b>8</b>	SOLENOID VOLTAGE: 2 = 12V DC 8 = 24V DC (4W) inrush (1W holding)
	FIXING: = with screws for plastics(standard) M = with screws for metal

**3/2-way NC solenoid valve - 90° electrical connection**

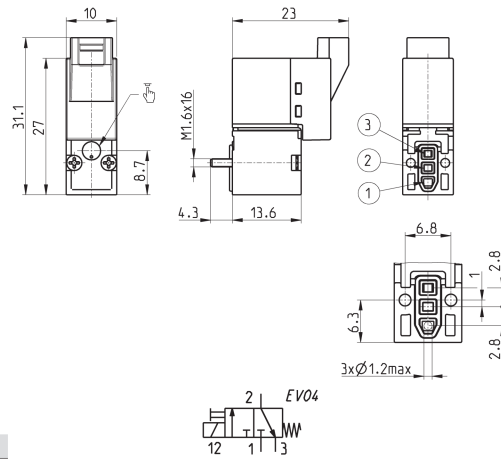

Supplied with:  
 1x interface seal  
 2x screws M1.6x16 UNI 10227  
 (fixing for plastics, standard)  
 or  
 2x screws M1.6x16 UNI 7687  
 (fixing for metal, M option)



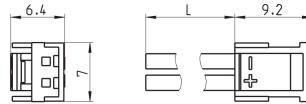
Mod.	Orifice Ø (mm)	kv (l/min)	Qn (Nl/min)	Pressure min-max (bar)
KN000-305-F18	1.1	0.39	25	3 + 7
KN000-306-F18	1.1	0.39	-	0 + 3

**3/2-way NC solenoid valve - in-line electrical connection**


Supplied with:  
 1x interface seal  
 2x screws M1.6x16 UNI 10227  
 (fixing for plastics, standard)  
 or  
 2x screws M1.6x16 UNI 7687  
 (fixing for metal, M option)



Mod.	Orifice Ø (mm)	kv (l/min)	Qn (Nl/min)	Pressure min-max (bar)
KN000-305-FB8	1.1	0.39	25	3 + 7
KN000-306-FB8	1.1	0.39	-	0 + 3

**Connector Mod. 121-8..**


Mod.	description	colour	L = cable length (mm)	cable holding
121-803	crimped cable	black	300	crimping
121-806	crimped cable	black	600	crimping
121-810	crimped cable	black	1000	crimping
121-830	crimped cable	black	3000	crimping